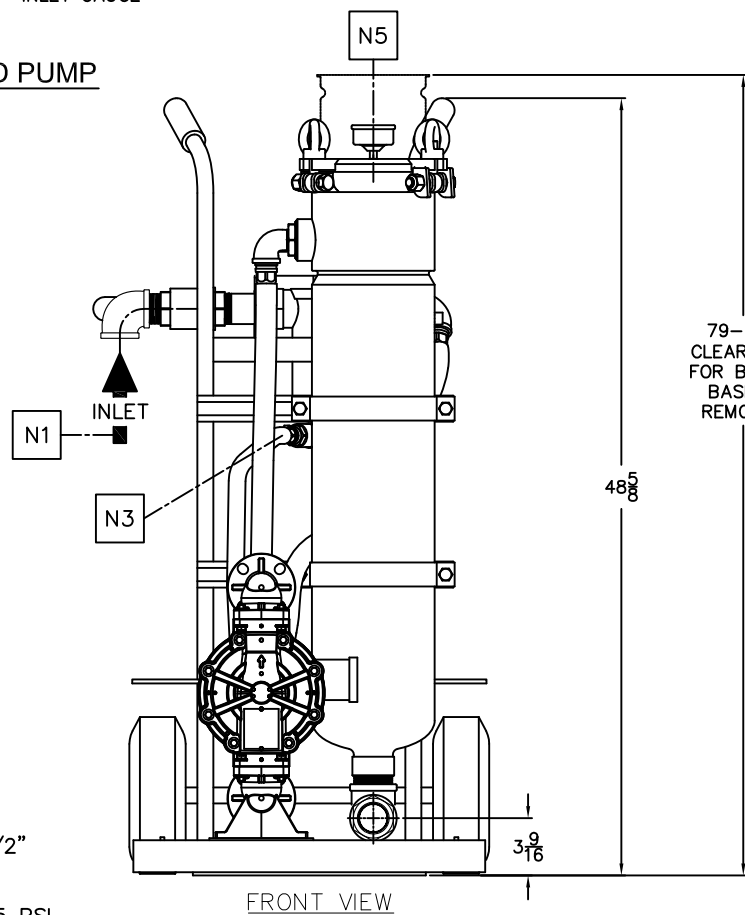


**AIR SUPPLY TO AIR POWERED PUMP  
DETAIL**

REFER TO NOTES FOR DETAILS

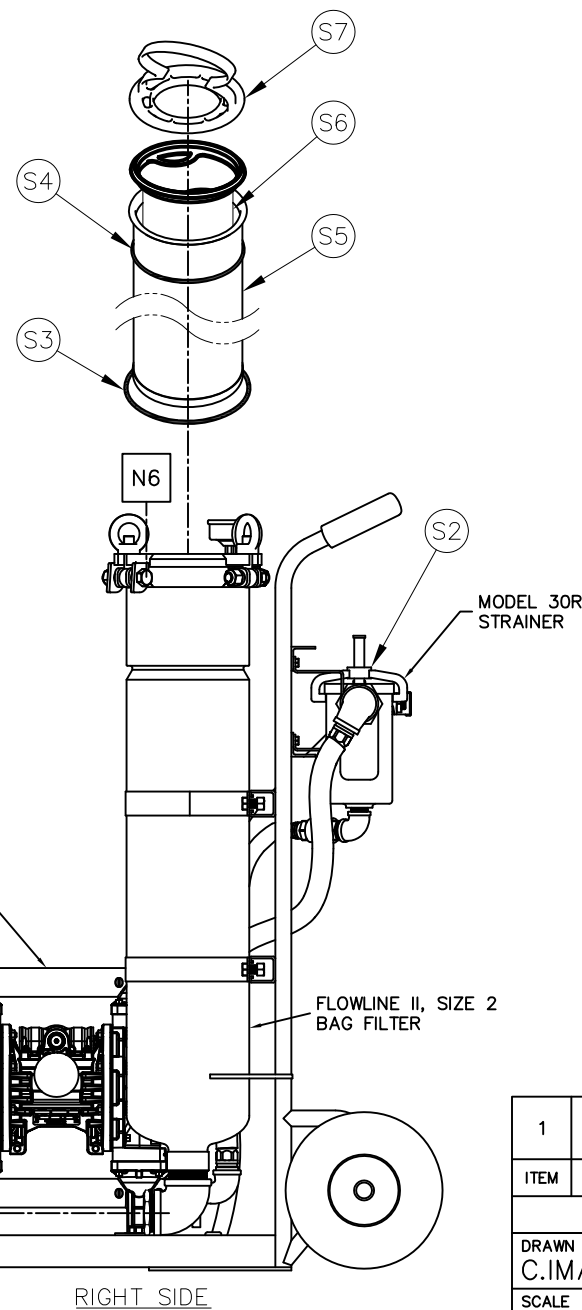


FRONT VIEW

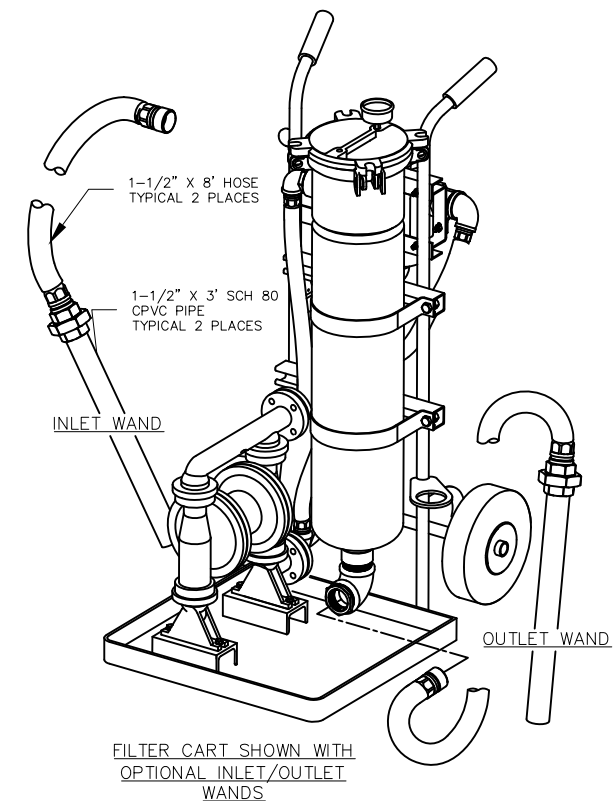
79-5/8  
CLEARANCE  
FOR BAG &  
BASKET  
REMOVAL

NOZZLE SCHEDULE					
MARK	SIZE	TYPE	RATING	NECK	SERVICE
N1	1-1/2"	NPTI	-	-	INLET
N2	1-1/2"	NPTI	-	-	OUTLET
N3	3/4"	NPTI	-	-	DRAIN
N4	1/2"	NPTI	-	-	AIR INLET TO AIR OPERATED DIAPHRAGM PUMP
N5	1/4"	NPTI	-	-	PRESSURE GAUGE AT FILTER
N6	1/4"	NPTI	-	-	PLUGGED PORT IN LID

REVISIONS				
REV	DESCRIPTION	BY	ECO	DATE
A	SALES DRAWING	CLI	----	16JAN2013
B	UPDATED SPARE PARTS	CLI	0082337	28FEB2013



RIGHT SIDE



FILTER CART SHOWN WITH  
OPTIONAL INLET/OUTLET  
WANDS

**SPARE PARTS LIST**

ITEM	QTY	UM	PART NUMBER	DESCRIPTION
S7	1	EA	RPC0000012	HOLD DOWN, LCSBV
S6	1	EA	VARIES	BAG FILTER MEDIA
S5	1	EA	WEE0000009	RESTRAINER BASKET, #2 SIZE 316 S.S.
S4	1	EA	RPC0000004	O-RING, RESTRAINER BASKET, BUNA-N
S3	1	EA	X811445	O-RING, LID SEAL FLOWLINE II, BUNA-N
S2	1	EA	ST262Z5B	O-RING, LID #30R STRAINER, BUNA-N

**NOTES:**

1. INLET/OUTLET CONNECTIONS ARE 1-1/2" NPTI BRASS FITTINGS.
2. MAWP: 125 PSI @ 150°F (8.6 BAR @ 66°C) MDMT: 32°F @ 125 PSI (0°C @ 8.6 BAR)
3. AIR OPERATING RANGE: 20 - 125 PSI (1.4 - 8.6 BAR)
4. RECOMMENDED OPERATING AIR PRESSURE: 30 PSI (2.1 BAR)
5. UNIT WEIGHT (APPROX.):  
EMPTY: 220lbs (100 kg)  
FULL (WATER): 278lbs (126 kg)

ITEM	QTY	UM	PART NUMBER	DRAWING NUMBER	DESCRIPTION
1	1	EA	F3F000002-BA	F3F000002-BA	INDUSTRIAL FILTER CART, CST W/BUNA ASSEMBLY DRAWING

**BILL OF MATERIALS**

DRAWN BY C.IMANSE SCALE AS DRAWN RESTRICTION RESTRICTED SHEET 1 OF 1 PROJECTION THIRD ANGLE	<b>EATON</b> FILTRATION, LLC DESIGN CENTER ISELIN, NEW JERSEY, USA • PORTAGE, MICHIGAN, USA TITLE INDUSTRIAL FILTER CART, CST W/BUNA-N ELASTOMERS AIR OPERATED DUAL DIAPHRAGM PUMP DATE 16JAN2013 SIZE B DWG FILENAME F3F000002-B[1] REV B
--	---

CUSTOMER INFO	
NAME	
P.O. NO.	
TAG NO.	
S.O. NO.	
PART NO.	F3F000002-B

EATON CORPORATION - CONFIDENTIAL AND PROPRIETARY NOTICE TO PERSONS RECEIVING THIS DRAWING AND/OR TECHNICAL INFORMATION  
THIS DOCUMENT, INCLUDING THE DRAWING AND INFORMATION CONTAINED THEREON IS CONFIDENTIAL AND IS THE EXCLUSIVE PROPERTY OF EATON AT ANY TIME. BY TAKING THE  
POSSESSION OF THIS DOCUMENT THE RECIPIENT ACKNOWLEDGES AND AGREES THAT THIS DOCUMENT CANNOT BE USED IN ANY MANNER ADVERSE TO THE INTEREST OF EATON AND  
THAT NO PORTION OF THIS DRAWING MAY BE COPIED OR OTHERWISE REPRODUCED WITHOUT THE PRIOR WRITTEN CONSENT OF EATON, IN THE CASE OF CONFLICTING CONTRACTUAL  
PROVISIONS, THIS NOTICE SHALL GOVERN THE STATUS OF THIS DOCUMENT.  
2014 EATON CORPORATION - ALL RIGHTS RESERVED.