

Flanged resistance thermometer With protection tube Model TR10-F

WIKA data sheet TE 60.06



for further approvals
see page 2

Applications

- Machine building, plant and vessel construction
- Energy and power plant technology
- Chemical and petrochemical industry
- Food and beverage industry
- Sanitary, heating and air-conditioning technology

Special features

- Sensor ranges from -196 ... +600 °C [-320 ... +1,112 °F]
- With integrated fabricated protection tube
- Spring-loaded measuring insert (replaceable)
- Explosion-protected versions

Description

Resistance thermometers of this series are designed for fitting into vessels and pipelines. Standard flanges to DIN EN or ASME are available.

These temperature sensors are suitable for liquid and gaseous media under moderate mechanical load. The protection tube is all welded and screwed into the connection head. Stainless steel protection tubes are suitable for normal chemical conditions. Coating is recommended as an optional extra with chemically aggressive media, or solid wear-resistant coating for abrasive media.

The interchangeable measuring insert can be removed without taking out the complete sensor from the plant. This enables inspection, measuring equipment monitoring or, when servicing is necessary, replacement while the plant is running. The choice of standard lengths assists with short delivery times and the possibility of stocking spare parts.



Model TR10-F with protection tube

Insertion length, flange size, protection tube design, connection head and sensor can each be selected to suit the respective application.

Optionally we can fit analogue or digital transmitters from the WIKA range into the connection head of the TR10-F.

Explosion protection (option)







The permissible power, P_{max} , as well as the permissible ambient temperature, for the respective category can be seen on the EC-type examination certificate, the certificate for hazardous areas or in the operating instructions.

Attention:

Only with the correspondingly suitable protective fitting is operation in dust Ex hazardous areas permissible.








Built-in transmitters have their own EC-type examination certificate. The permissible ambient temperature ranges of the built-in transmitters can be taken from the corresponding transmitter approval.

Approvals (explosion protection, further approvals)



Logo	Description	Country
 	EU declaration of conformity <ul style="list-style-type: none"> ■ EMC directive ¹⁾ EN 61326 emission (group 1, class B) and interference immunity (industrial application) ■ RoHS directive ■ ATEX directive (option) Hazardous areas <ul style="list-style-type: none"> - Ex i Zone 0 gas [II 1G Ex ia IIC T1 ... T6 Ga] Zone 1 mounting to zone 0 gas [II 1/2G Ex ia IIC T1 ... T6 Ga/Gb] Zone 1 gas [II 2G Ex ia IIC T1 ... T6 Gb] Zone 20 dust [II 1D Ex ia IIIC T125 ... T65 °C Da] Zone 21 mounting to zone 20 dust [II 1/2D Ex ia IIIC T125 ... T65 °C Da/Db] Zone 21 dust [II 2D Ex ia IIIC T125 ... T65 °C Db] - Ex e ²⁾ Zone 1 gas [II 2G Ex eb IIC T1 ... T6 Gb] Zone 2 gas [II 3G Ex ec IIC T1 ... T6 Gc X] Zone 21 dust [II 2D Ex tb IIIC TX °C Db] Zone 22 dust [II 3D Ex tc IIIC TX °C Dc X] - Ex n ²⁾ Zone 2 gas [II 3G Ex nA IIC T1 ... T6 Gc X] Zone 22 dust [II 3D Ex tc IIIC TX °C Dc X] 	European Union
 	IECEx (option) - in conjunction with ATEX Hazardous areas <ul style="list-style-type: none"> - Ex i Zone 0 gas [Ex ia IIC T1 ... T6 Ga] Zone 1 mounting to zone 0 gas [Ex ia IIC T1 ... T6 Ga/Gb] Zone 1 gas [Ex ia IIC T1 ... T6 Gb] Zone 20 dust [Ex ia IIIC T125 ... T65 °C Da] Zone 21 mounting to zone 20 dust [Ex ia IIIC T125 ... T65 °C Da/Db] Zone 21 dust [Ex ia IIIC T125 ... T65 °C Db] 	International
	EAC (option) Hazardous areas <ul style="list-style-type: none"> - Ex i Zone 0 gas [0 Ex ia IIC T6 ... T1 Ga X] Zone 1 gas [1 Ex ia IIC T6 ... T1 Gb X] Zone 20 dust [Ex ia IIIC T80...T440 °C Da X] Zone 21 dust [Ex ia IIIC T80...T440 °C Db X] - Ex n Zone 2 gas [Ex nA IIC T6 ... T1 Gc X] 	Eurasian Economic Community
	INMETRO (option) Hazardous areas <ul style="list-style-type: none"> - Ex i Zone 0 gas [Ex ia IIC T3 ... T6 Ga] Zone 1 mounting to zone 0 gas [Ex ia IIC T3 ... T6 Ga/Gb] Zone 1 gas [Ex ia IIC T3 ... T6 Gb] Zone 20 dust [Ex ia IIIC T125 ... T65 °C Da] Zone 21 mounting to zone 20 dust [Ex ia IIIC T125 ... T65 °C Da/Db] Zone 21 dust [Ex ia IIIC T125 ... T65 °C Db] 	Brazil

1) Only for built-in transmitter

2) Only for connection head model BSZ, BSZ-H (see "Connection head")

Logo	Description	Country
	NEPSI (option) Hazardous areas - Ex i Zone 0 gas [Ex ia IIC T1 ~ T6 Ga] Zone 1 mounting to zone 0 gas [Ex ia IIC T1 ~ T6 Ga/Gb] Zone 1 gas [Ex ia IIC T1 ~ T6 Gb]	China
	KCs - KOSHA (option) Hazardous areas - Ex i Zone 0 gas [Ex ia IIC T4 ... T6] Zone 1 gas [Ex ib IIC T4 ... T6]	South Korea
-	PESO (option) Hazardous areas - Ex i Zone 0 gas [Ex ia IIC T1 ... T6 Ga] Zone 1 mounting to zone 0 gas [Ex ia IIC T1 ... T6 Ga/Gb] Zone 1 gas [Ex ia IIC T1 ... T6 Gb]	India
	GOST (option) Metrology, measurement technology	Russia
	KazInMetr (option) Metrology, measurement technology	Kazakhstan
-	MTSCHS (option) Permission for commissioning	Kazakhstan
	BelGIM (option) Metrology, measurement technology	Belarus
	UkrSEPRO (option) Metrology, measurement technology	Ukraine
	Uzstandard (option) Metrology, measurement technology	Uzbekistan

Manufacturer's information and certifications

Logo	Description
	SIL 2 Functional safety (only in conjunction with model T32 temperature transmitter)
	NAMUR NE24 Hazardous areas (Ex i)

Instruments marked with "ia" may also be used in areas only requiring instruments marked with "ib" or "ic".
If an instrument with "ia" marking has been used in an area with requirements in accordance with "ib" or "ic", it can no longer be operated in areas with requirements in accordance with "ia" afterwards.

Approvals and certificates, see website

Sensor

Measuring element

Pt100, Pt1000 ¹⁾ (measuring current: 0.1 ... 1.0 mA) ²⁾

Connection method	
Single elements	1 x 2-wire 1 x 3-wire 1 x 4-wire
Dual elements	2 x 2-wire 2 x 3-wire 2 x 4-wire ³⁾

Validity limits of class accuracy per EN 60751		
Class	Sensor construction	
	Wire-wound	Thin-film
Class B	-196 ... +600 °C	-50 ... +500 °C
	-196 ... +450 °C	-50 ... +250 °C
Class A ⁴⁾	-100 ... +450 °C	-30 ... +300 °C
Class AA ⁴⁾	-50 ... +250 °C	0 ... 150 °C

1) Pt1000 only available as a thin-film measuring resistor

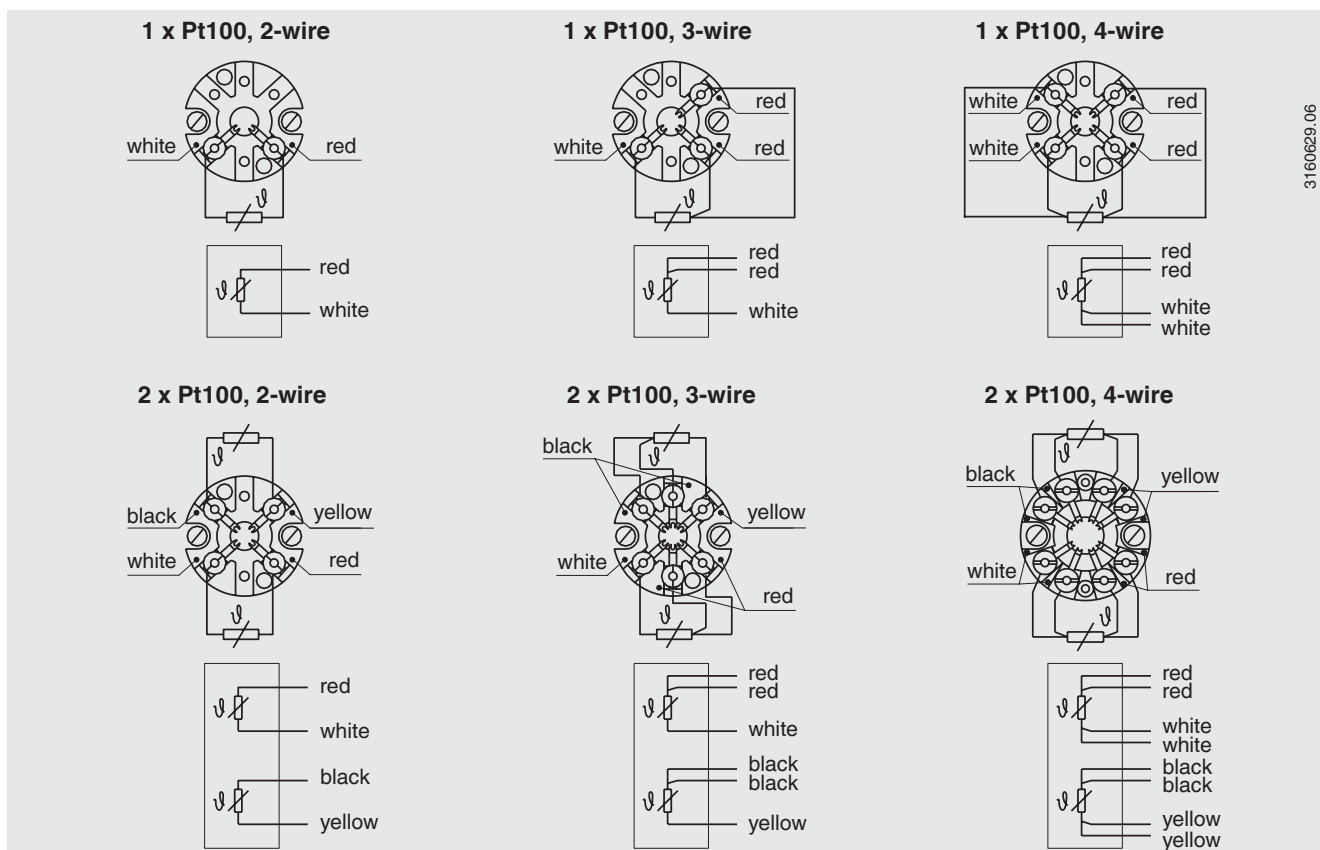
2) For detailed specifications for Pt100 sensors, see Technical information IN 00.17 at www.wika.com.

3) Not with 3 mm diameter

4) Not with 2-wire connection method

The table shows the temperature ranges listed in the respective standards, in which the tolerance values (class accuracies) are valid.

Electrical connection (colour code per IEC/EN 60751)

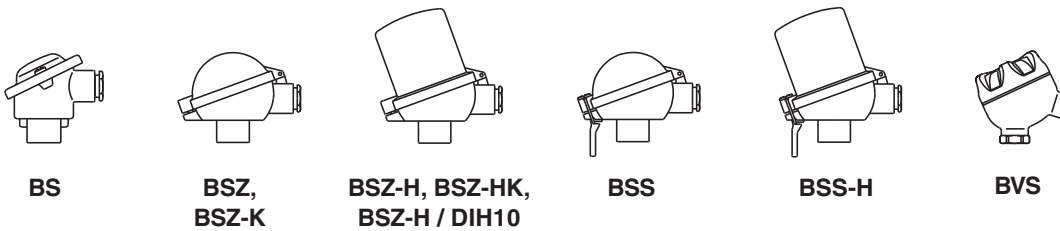


For the electrical connections of built-in temperature transmitters see the corresponding data sheets or operating instructions.

3160629.06

Connection head

■ European designs per EN 50446 / DIN 43735



Model	Material	Cable entry thread size	Ingress protection (max.) ¹⁾ IEC/EN 60529	Cap	Surface	Connection to neck tube
BS	Aluminium	M20 x 1.5 or ½ NPT ³⁾	IP65 ⁴⁾	Flat cap with 2 screws	Blue, painted ⁵⁾	M24 x 1.5, ½ NPT
BSZ	Aluminium	M20 x 1.5 or ½ NPT ³⁾	IP65 ⁴⁾	Spherical hinged cover with cylinder head screw	Blue, painted ⁵⁾	M24 x 1.5, ½ NPT
BSZ-H	Aluminium	M20 x 1.5 or ½ NPT ³⁾	IP65 ⁴⁾	Raised hinged cover with cylinder head screw	Blue, painted ⁵⁾	M24 x 1.5, ½ NPT
BSZ-H (2x cable outlet)	Aluminium	2 x M20 x 1.5 or 2 x ½ NPT ³⁾	IP65 ⁴⁾	Raised hinged cover with cylinder head screw	Blue, painted ⁵⁾	M24 x 1.5
BSZ-H / DIH10 ²⁾	Aluminium	M20 x 1.5 or ½ NPT ³⁾	IP65	Raised hinged cover with cylinder head screw	Blue, painted ⁵⁾	M24 x 1.5, ½ NPT
BSS	Aluminium	M20 x 1.5 or ½ NPT ³⁾	IP65	Spherical hinged cover with clamping lever	Blue, painted ⁵⁾	M24 x 1.5, ½ NPT
BSS-H	Aluminium	M20 x 1.5 or ½ NPT ³⁾	IP65	Raised hinged cover with clamping lever	Blue, painted ⁵⁾	M24 x 1.5, ½ NPT
BVS	Stainless steel	M20 x 1.5 ³⁾	IP65	Precision-cast screw-on lid	Blank, electropolished	M24 x 1.5
BSZ-K	Plastic	M20 x 1.5 or ½ NPT ³⁾	IP65	Spherical hinged cover with cylinder head screw	Black	M24 x 1.5
BSZ-HK	Plastic	M20 x 1.5 or ½ NPT ³⁾	IP65	Raised hinged cover with cylinder head screw	Black	M24 x 1.5

Model	Explosion protection							
	without	Ex i (gas) Zone 0, 1, 2	Ex i (dust) Zone 20, 21, 22	Ex eb (gas) Zone 1	Ex tb (dust) Zone 21	Ex ec (gas) Zone 2	Ex nA (gas) Zone 2	Ex tc (dust) Zone 22
BS	x	x	x	-	-	-	-	-
BSZ	x	x	x	x ⁶⁾	x ⁶⁾	x ⁶⁾	x ⁶⁾	x ⁶⁾
BSZ-H	x	x	x	x ⁶⁾	x ⁶⁾	x ⁶⁾	x ⁶⁾	x ⁶⁾
BSZ-H (2x cable outlet)	x	x	x	x ⁶⁾	x ⁶⁾	x ⁶⁾	x ⁶⁾	x ⁶⁾
BSZ-H / DIH10 ¹⁾	x	x	-	-	-	-	-	-
BSS	x	x	-	-	-	-	-	-
BSS-H	x	x	-	-	-	-	-	-
BVS	x	x	-	-	-	-	-	-
BSZ-K	x	x	-	-	-	-	-	-
BSZ-HK	x	x	-	-	-	-	-	-

1) The ingress protection refers to the connection head, for information on the cable glands, see page 7

2) LED display DIH10

3) Standard (others on request)

4) Ingress protections, which describe temporary or lasting submersion, available on request

5) RAL 5022

6) Only ATEX, no IECEx, no NEPSI

■ North American designs



KN4-A
KN4-P

Model	Material	Cable entry thread size	Ingress protection (max.) ¹⁾ IEC/EN 60529	Cover / Cap	Surface	Connection to neck tube
KN4-A	Aluminium	½ NPT or M20 x 1.5 ²⁾	IP65	Screw-on lid	Blue, painted ³⁾	M24 x 1.5, ½ NPT
KN4-P ⁴⁾	Polypropylene	½ NPT	IP65	Screw-on lid	White	½ NPT

Model	Explosion protection							
	without	Ex i (gas) Zone 0, 1, 2	Ex i (dust) Zone 20, 21, 22	Ex eb (gas) Zone 1	Ex tb (dust) Zone 21	Ex ec (gas) Zone 2	Ex nA (gas) Zone 2	Ex tc (dust) Zone 22
KN4-A	x	x	-	-	-	-	-	-
KN4-P ⁴⁾	x	-	-	-	-	-	-	-

1) The ingress protection refers to the connection head, for information on the cable glands, see page 7

2) Standard (others on request)

3) RAL 5022

4) On request

Connection head with digital display



Connection head BSZ-H with LED display model DIH10

see data sheet AC 80.11

To operate the digital displays, a transmitter with a 4 ... 20 mA output is always required.

Cable entry



Standard



Plastic



Brass,
nickel-plated



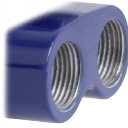
Stainless steel



Junction box,
M12 x 1 (4-pin)



Plain
threaded



2 x plain
threaded



Sealing plugs for
transport

The pictures show examples of connection heads.

Cable entry	Cable entry thread size	Min./max. ambient temperature
Standard cable entry ¹⁾	M20 x 1.5 or ½ NPT	-40 ... +80 °C
Plastic cable gland (cable Ø 6 ... 10 mm) ¹⁾	M20 x 1.5 or ½ NPT	-40 ... +80 °C
Plastic cable gland (cable Ø 6 ... 10 mm), Ex e ¹⁾	M20 x 1.5 or ½ NPT	-20 ... +80 °C (standard) -40 ... +70 °C (option)
Nickel-plated brass cable gland (cable Ø 6 ... 12 mm)	M20 x 1.5 or ½ NPT	-40 ... +80 °C
Stainless steel cable gland (cable Ø 7 ... 12 mm)	M20 x 1.5 or ½ NPT	-40 ... +80 °C
Plain threaded	M20 x 1.5 or ½ NPT	-
2 x M20 x 1.5 ²⁾	2 x M20 x 1.5	-
Junction box M12 x 1 (4-pin) ³⁾	M20 x 1.5	-40 ... +80 °C
Sealing plugs for transport	M20 x 1.5 or ½ NPT	-40 ... +80 °C

Cable entry	Colour	Ingress protection (max.) IEC/EN 60529	Explosion protection							
			without	Ex i (gas) Zone 0, 1, 2	Ex i (dust) Zone 20, 21, 22	Ex eb (gas) Zone 1	Ex tb (dust) Zone 21	Ex ec (gas) Zone 2, 21, 22	Ex nA (gas) Zone 2	Ex tc (dust) Zone 22
Standard cable entry ¹⁾	Blank	IP65	x	x	-	-	-	-	-	-
Plastic cable gland ¹⁾	Black or grey	IP66 ⁴⁾	x	x	-	-	-	-	-	-
Plastic cable gland, Ex e ¹⁾	Light blue	IP66 ⁴⁾	x	x	x	-	-	-	-	-
Plastic cable gland, Ex e ¹⁾	Black	IP66 ⁴⁾	x	x	x	x	x	x	x	x
Nickel-plated brass cable gland	Blank	IP66 ⁴⁾	x	x	x	-	-	-	-	-
Nickel-plated brass cable gland, Ex e	Blank	IP66 ⁴⁾	x	x	x	x	x	x	x	x
Stainless steel cable gland	Blank	IP66 ⁴⁾	x	x	x	-	-	-	-	-
Stainless steel cable gland, Ex e	Blank	IP66 ⁴⁾	x	x	x	x	x	x	x	x
Plain threaded	-	IP00	x	x	x ⁶⁾	x ⁶⁾	x ⁶⁾	x ⁶⁾	x ⁶⁾	x ⁶⁾
2 x M20 x 1.5 ²⁾	-	IP00	x	x	x ⁶⁾	x ⁶⁾	x ⁶⁾	x ⁶⁾	x ⁶⁾	x ⁶⁾
Junction box M12 x 1 (4-pin) ³⁾	-	IP65	x	x ⁵⁾	x ⁵⁾	-	-	-	-	-
Sealing plugs for transport	Transparent	-	not applicable, transport protection							

1) Not available for BVS connection head

2) Only for BSZ-H connection head

3) Not available for ½ NPT thread size cable entry

4) Ingress protections, which describe temporary or continuous immersion, available on request

5) With appropriate mating connector connected

6) Suitable cable gland required for operation

Ingress protection per IEC/EN 60529

Degrees of protection against solid foreign bodies (defined by the first index number)

First index number	Degree of protection / short description	Test parameter
5	Dust-protected	per IEC/EN 60529
6	Dust-tight	per IEC/EN 60529

Degrees of protection against water (defined by the second index number)

Second index number	Degree of protection / short description	Test parameter
4	Protected against splash water	per IEC/EN 60529
5	Protected against water jets	per IEC/EN 60529
6	Protected against strong water jets	per IEC/EN 60529
7	Protected against the effects of temporary immersion in water	per IEC/EN 60529
8	Protected against the effects of continuous immersion in water	by agreement

The stated degrees of protection apply under the following conditions:

- Use of a suitable thermowell
- Use of a suitable cable gland
- Use of a cable cross-section appropriate for the gland or select the appropriate cable gland for the available cable
- Adhere to the tightening torques for all threaded connections

Transmitter

Mounting onto the measuring insert

With mounting on the measuring insert, the transmitter replaces the terminal block and is fixed directly to the terminal plate of the measuring insert.

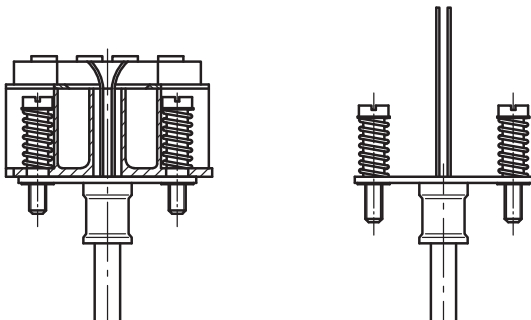
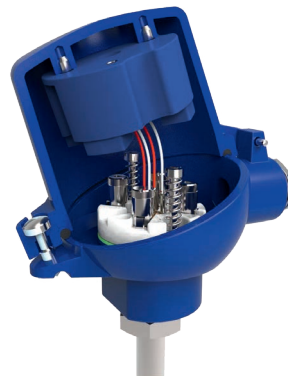


Fig. left: Measuring insert with mounted transmitter (here: model T32)

Fig. right: Measuring insert prepared for transmitter mounting

Mounted within the cap of the connection head

Mounting the transmitter in the cap of the connection head is preferable to mounting it on the measuring insert. With this type of mounting, for one, a better thermal insulation is ensured, and in addition, exchange and mounting for servicing is simplified.



Transmitter models



Output signal 4 ... 20 mA, HART® protocol, FOUNDATION™ Fieldbus and PROFIBUS® PA			
Transmitter (selectable versions)	Model T15	Model T32	Model T53
Data sheet	TE 15.01	TE 32.04	TE 53.01
Output			
■ 4 ... 20 mA	x	x	
■ HART® protocol		x	
■ FOUNDATION™ Fieldbus and PROFIBUS® PA			x
Connection method			
■ 1 x 2-wire, 3-wire or 4-wire	x	x	x
Measuring current	< 0.2 mA	< 0.3 mA	< 0.2 mA
Explosion protection	Optional	Optional	Standard

Possible mounting positions for transmitters

Connection head	T15	T32	T53
BS	○	-	○
BSZ, BSZ-K	○	○	○
BSZ-H, BSZ-HK	●	●	●
BSZ-H (2x cable outlet)	●	●	●
BSZ-H / DIH10	○	○	-
BSS	○	○	○
BSS-H	●	●	●
BVS	○	○	○
KN4-A / KN4-P	○	○	○

○ Mounted instead of terminal block ● Mounted within the cap of the connection head – Mounting not possible

The mounting of a transmitter on the measuring insert is possible with all the connection heads listed here. The fitting of a transmitter in the (screw) cap of a North American design connection head is not possible.

Mounting of 2 transmitters on request.

For a correct determination of the overall measuring deviation, the sensor and transmitter measuring deviations must be added.

Functional safety (option) with temperature transmitter model T32



In safety-critical applications, the entire measuring chain must be taken into consideration in terms of the safety parameters. The SIL classification allows the assessment of the risk reduction reached by the safety installations.

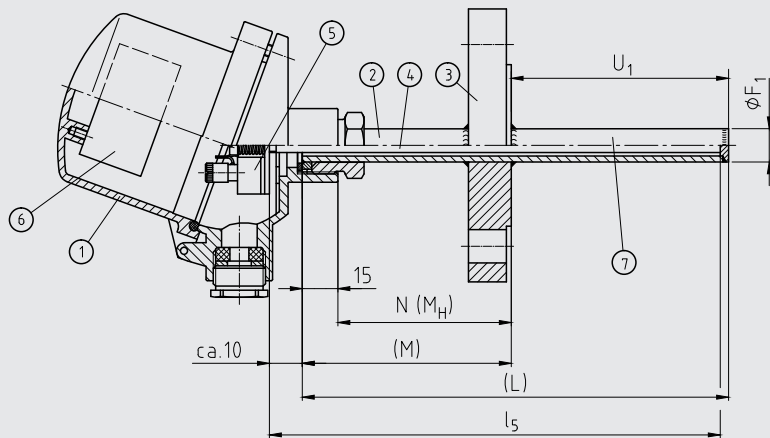
Selected TR10-F resistance thermometers, in combination with a suitable temperature transmitter (e.g. model T32.1S, TÜV certified SIL version for protection systems developed

in accordance with IEC 61508), are suitable as sensors for safety functions to SIL 2.

For detailed specifications, see Technical information IN 00.19 at www.wika.com.

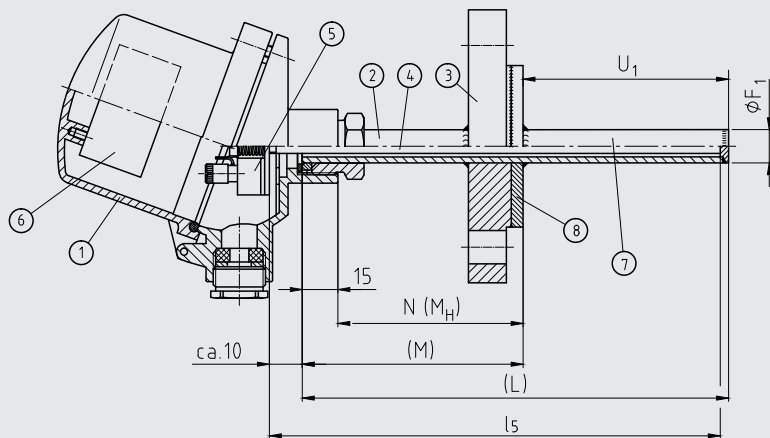
Components model TR10-F

Version: flanged protection tube from standard material



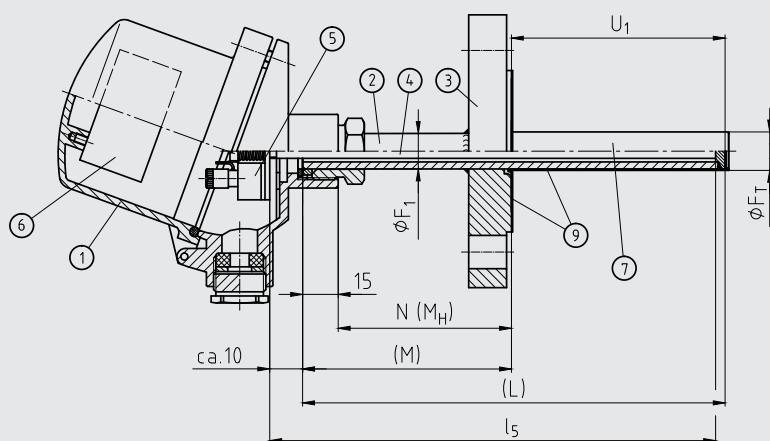
3176488.05

Version: flange form standard material, protection tube and flange disc from special materials



14130069.01

Version: flanged protection tube from standard material with tantalum cover



14130070.01

Legend:

- ① Connection head
- ② Neck tube
- ③ Flange
- ④ Measuring insert (TR10-A)
- ⑤ Terminal block/transmitter (option)
- ⑥ Transmitter (option)
- ⑦ Protection tube
- ⑧ Flange disc from special material
- ⑨ Tantalum cover

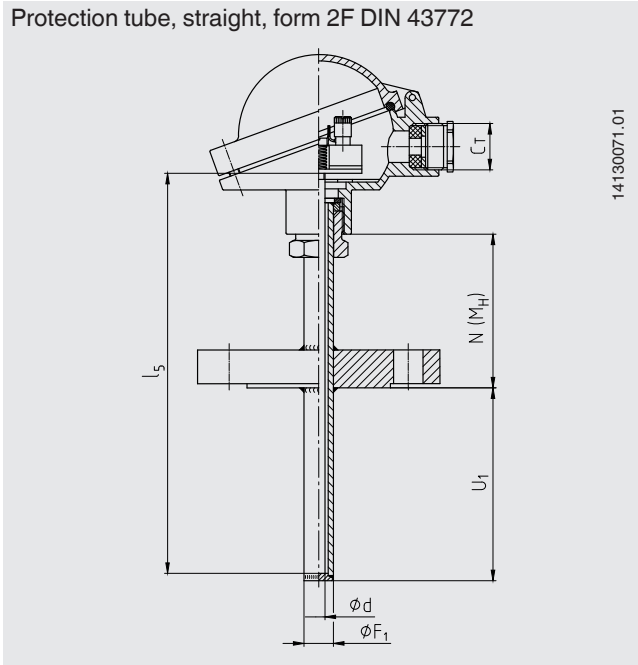
- (L) Overall length of protection tube
- l_5 Measuring insert length
- U_1 Protection tube insertion length in accordance with DIN 43772
- $\varnothing F_1$ Protection tube diameter
- $\varnothing F_T$ Outer diameter of tantalum cover
- $N (M_H)$ Neck length
- (M) Neck tube length

Protection tube

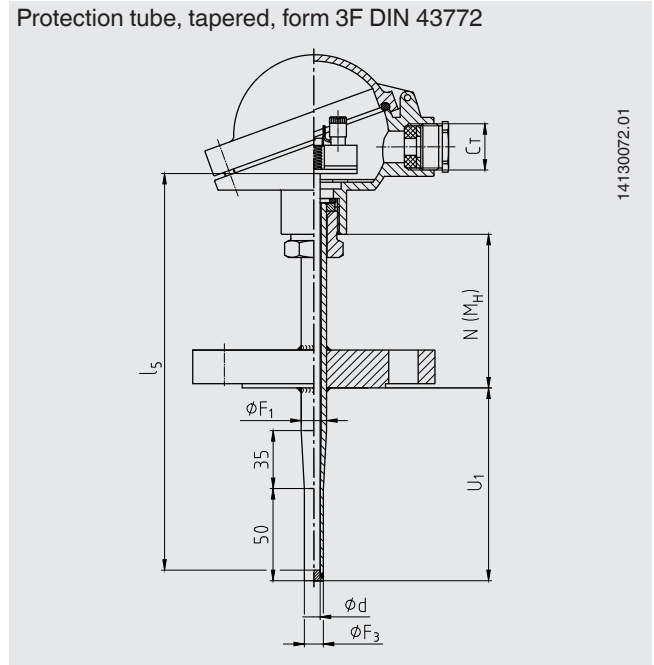
Protection tube designs

■ Protection tube in accordance with DIN 43772

Protection tube, straight, form 2F DIN 43772

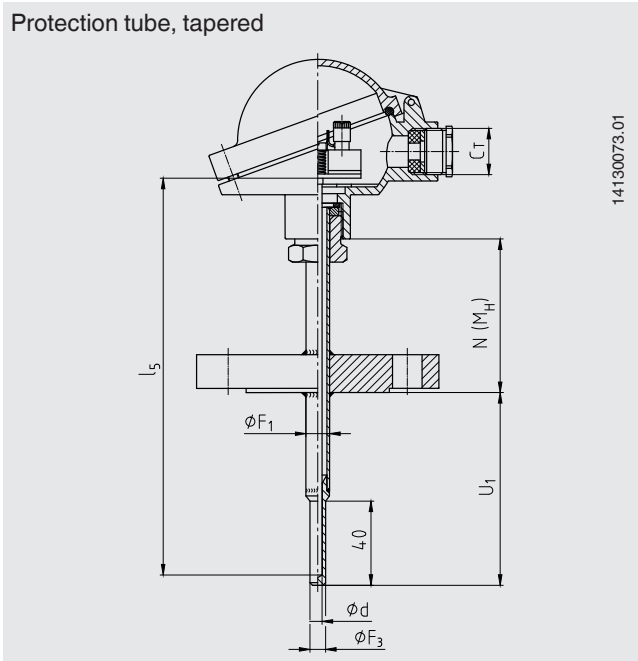


Protection tube, tapered, form 3F DIN 43772



■ Protection tube in line with DIN 43772, weld-on solid tip

Protection tube, tapered



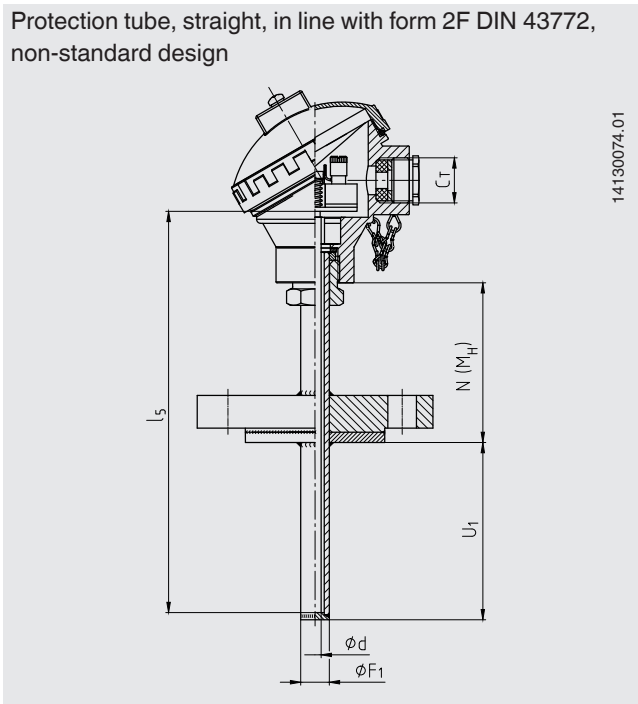
Legend:

- | | | | |
|------------|--------------------------|------------|-----------------------------------|
| U_1 | Insertion length | ϕF_3 | Diameter of protection tube tip |
| l_s | Measuring insert length | ϕF_T | Outer diameter of tantalum cover |
| $N (M_H)$ | Neck length | (L) | Overall length of protection tube |
| C_T | Thread cable entry | ϕd | Measuring insert diameter |
| ϕF_1 | Protection tube diameter | | |

The pictures show examples of connection heads.

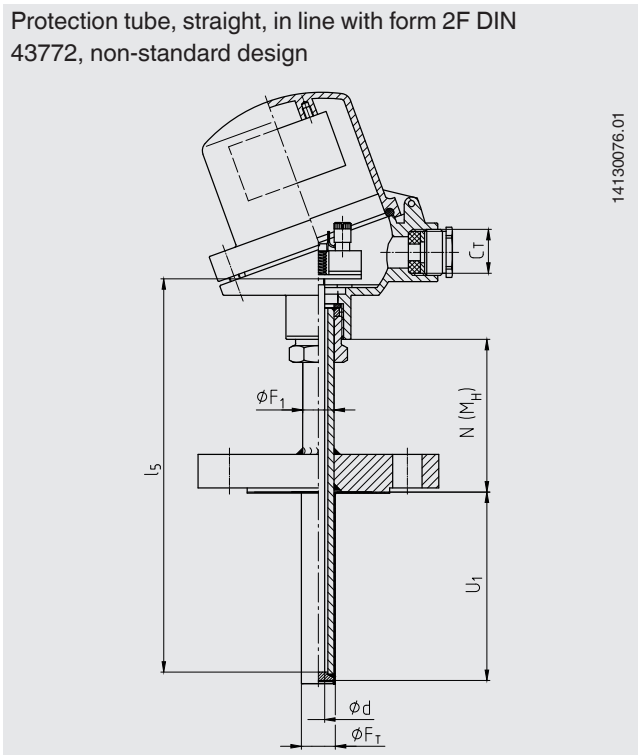
■ Protection tube in line with DIN 43772, wetted parts from special material, girder flange: stainless steel

Protection tube, straight, in line with form 2F DIN 43772, non-standard design

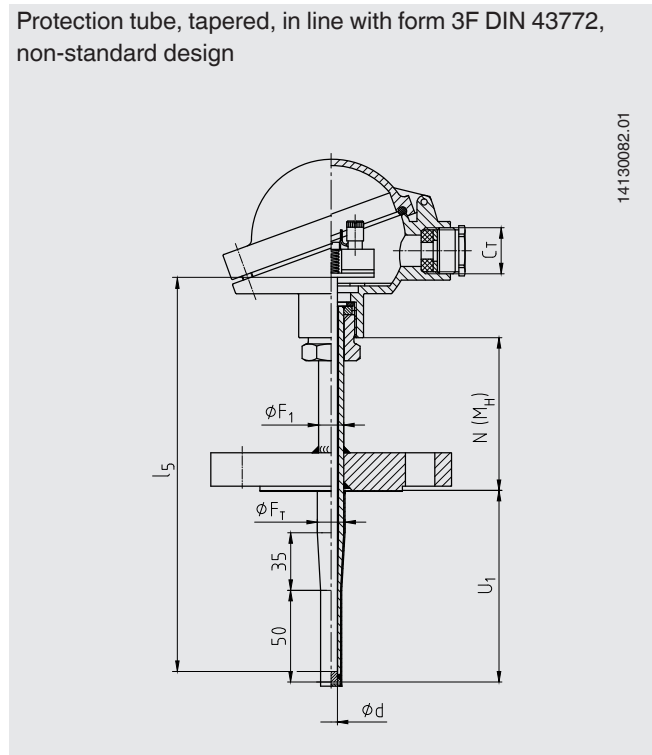


■ Protection tube in line with DIN 43772, tantalum cover with tantalum flange disc, carrier protection tube: stainless steel

Protection tube, straight, in line with form 2F DIN 43772, non-standard design



Protection tube, tapered, in line with form 3F DIN 43772, non-standard design



Legend:

U ₁	Insertion length	Ø F ₃	Diameter of protection tube tip
l ₅	Measuring insert length	Ø F _T	Outer diameter of tantalum cover
N (M _H)	Neck length	(L)	Overall length of protection tube
C _T	Thread cable entry	Ø d	Measuring insert diameter
Ø F ₁	Protection tube diameter		



The pictures show examples of connection heads.

Protection tube designs

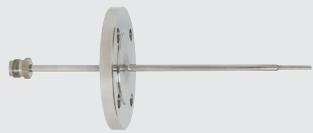
The protection tubes are made of drawn tube with a welded bottom and are screwed into the connection head with a rotatable threaded connection (male nut). By loosening this male nut, the connection head - and thus the cable outlet - can be adjusted to the desired position. The flange is welded on to customer specification at the factory. This determines the insertion length. Standard insertion lengths are preferable.

The immersion depth into the process medium should be at least 10 times the protection tube outer diameter. For replacement requirements use model TW40 protection tube.


Protection tube designs in accordance with DIN 43772

Protection tube	Material	Protection tube Ø	Suitable for measuring insert Ø	Connection to head
Straight, form 2F DIN 43772 	Stainless steel 1.4571	9 x 1 mm	6 mm	M24 x 1.5 (rotatable threaded connection, male nut)
		11 x 2 mm		
12 x 2.5 mm	6 mm with sleeve Ø 8 mm / 8 mm			
14 x 2.5 mm				
Tapered, form 3F DIN 43772 	Stainless steel 1.4571	12 x 2.5 mm, tapered to 9 mm	6 mm	

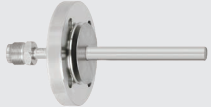

Protection tube designs in line with DIN 43772, weld-on solid tip

Protection tube	Material	Protection tube Ø	Suitable for measuring insert Ø	Connection to head
Tapered, weld-on solid tip, in line with DIN 43772, non-standard design 	Stainless steel 1.4571	9 x 1 mm, tapered to 6 mm 11 x 2 mm, tapered to 6 mm 12 x 2.5 mm, tapered to 6 mm	3 mm	M24 x 1.5 (rotatable threaded connection, male nut)

Protection tube designs in line with DIN 43772, wetted parts: special material, girder flange: stainless steel

Protection tube	Material	Protection tube Ø	Suitable for measuring insert Ø	Connection to head
Straight, in line with form 2F DIN 43772, non-standard design 	2.4360 (Monel400) / stainless steel 2.4819 (Hastelloy C276) / stainless steel 2.4610 (Hastelloy C4) / stainless steel 3.7035 (Titan Grade 2) / stainless steel	13.7 x 2.2 mm	6 mm with sleeve Ø 8 mm / 8 mm	M24 x 1.5 (rotatable threaded connection, male nut)

Protection tube designs in line with DIN 43772, tantalum cover with tantalum flange disc, carrier protection tube: stainless steel

Protection tube	Material	Protection tube Ø	Suitable for measuring insert Ø	Connection to head
Straight, in line with form 2F DIN 43772, non-standard design 	Tantalum / stainless steel	11 x 2 mm, tantalum cover 12 x 0.4 mm	6 mm	M24 x 1.5 (rotatable threaded connection, male nut)
		15 x 3 mm, tantalum cover 16 x 0.4 mm	6 mm with sleeve Ø 8 mm / 8 mm	
Tapered, in line with form 3F DIN 43772, non-standard design 	Tantalum / stainless steel	12 x 2.5 mm, tantalum cover 13 x 0.4 mm	6 mm	

Sealing face

■ Flange material, 1.4571 stainless steel

Flange nominal width	Rating	Sealing face	Protection tube diameter	
			9 x 1 mm	11 x 2 mm 12 x 2.5 mm 14 x 2.5 mm
EN 1092-1, DN 25 EN 1092-1, DN 40	PN 6	Form B1	x	x
		Form B2	x	x
		Form C (tongue)	x	x
		Form D (groove)	x	x
	PN 10 ... 40	Form B1	x	x
		Form B2	x	x
		Form C (tongue)	x	x
		Form D (groove)	x	x
	PN 63 ... 100	Form B1	-	x
		Form B2	-	x
		Form C (tongue)	-	x
		Form D (groove)	-	x
EN 1092-1, DN 50	PN 6	Form B1	x	x
		Form B2	x	x
		Form C (tongue)	x	x
		Form D (groove)	x	x
	PN 10 ... 16	Form B1	x	x
		Form B2	x	x
		Form C (tongue)	x	x
		Form D (groove)	x	x
	PN 25 ... 40	Form B1	x	x
		Form B2	x	x
		Form C (tongue)	x	x
		Form D (groove)	x	x
	PN 63	Form B1	-	x
		Form B2	-	x
		Form C (tongue)	-	x
		Form D (groove)	-	x
	PN 100	Form B1	-	x
		Form B2	-	x
		Form C (tongue)	-	x
		Form D (groove)	-	x
DIN 2526/2527, DN 25 DIN 2526/2527, DN 40	PN 6	Form C	x	x
		Form E	x	x
		Form N (groove)	x	x
		Form F (tongue)	x	x
	PN 10 ... 16	Form C	x	x
		Form E	x	x
		Form N (groove)	x	x
		Form F (tongue)	x	x
	PN 25 ... 40	Form C	x	x
		Form E	x	x
		Form N (groove)	x	x
		Form F (tongue)	x	x

Continued on next page

Flange nominal width	Rating	Sealing face	Protection tube diameter	
			9 x 1 mm	11 x 2 mm 12 x 2.5 mm 14 x 2.5 mm
DIN 2526/2527, DN 25 DIN 2526/2527, DN 40	PN 64 ... 100	Form C	-	x
		Form E	-	x
		Form N (groove)	-	x
		Form F (tongue)	-	x
DIN 2526/2527, DN 50	PN 6	Form C	x	x
		Form E	x	x
		Form N (groove)	x	x
		Form F (tongue)	x	x
	PN 10 ... 16	Form C	x	x
		Form E	x	x
		Form N (groove)	x	x
		Form F (tongue)	x	x
	PN 25 ... 40	Form C	x	x
		Form E	x	x
		Form N (groove)	x	x
		Form F (tongue)	x	x
DIN 2526/2527, DN 50	PN 64	Form C	-	x
		Form E	-	x
		Form N (groove)	-	x
		Form F (tongue)	-	x
	PN 100	Form C	-	x
		Form E	-	x
		Form N (groove)	-	x
		Form F (tongue)	-	x
ASME 1 inch ASME 1 ½ inch ASME 2 inch	150 lbs	RF (Raised face)	x	x
		RFSF (Raise face smooth finish)	x	x
		FF (Flat face)	x	x
		RTJ (Ring type joint)	x	x
	300 lbs	RF (Raised face)	x	x
		RFSF (Raise face smooth finish)	x	x
		FF (Flat face)	x	x
		RTJ (Ring type joint)	x	x
	600 lbs	RF (Raised face)	-	x
		RFSF (Raise face smooth finish)	-	x
		FF (Flat face)	-	x
		RTJ (Ring type joint)	-	x
	1,500 lbs	RF (Raised face)	-	x
		RFSF (Raise face smooth finish)	-	x
		FF (Flat face)	-	x
		RTJ (Ring type joint)	-	x

■ Special materials

Flange nominal width	Rating	Sealing face			
		Flange disc material			
		2.4360 (Monel 400), 2.4819 (Hastelloy C276), 2.4610 (Hastelloy C4), 3.7035 (Titan Grade 2)	Tantalum		
EN 1092-1, DN 25 EN 1092-1, DN 40	PN 6	Form B1, B2, C, D	Form B2		
	PN 10 ... 40				
EN 1092-1, DN 50	PN 6				
	PN 10 ... 16				
	PN 25 ... 40				
DIN 2526/2527, DN 25 DIN 2526/2527, DN 40	PN 6			Form C, E, N, F	Form E
	PN 10 ... 16				
	PN 25 ... 40				
DIN 2526/2527, DN 50	PN 6				
	PN 10 ... 16				
	PN 25 ... 40				
ASME 1 inch ASME 1 ½ inch ASME 2 inch	150 lbs	Form RF (Raised face), RFSF (Raised face smooth finish)	Form RFSF		
	300 lbs				
	600 lbs				

Girder flange and connection components: stainless steel

Sealing face roughness

Flange standard		AARH in μinch	Ra in μm	Rz in μm
ASME B16.5	Stock finish	125 ... 250	3.2 ... 6.3	-
	Smooth finish	< 125	< 3.2	-
	RTJ	< 63	< 1.6	-
	Tongue / Groove	< 125	< 3.2	-
EN 1092-1	Form B1	-	3.2 ... 12.5	12.5 ... 50
	Form B2	-	0.8 ... 3.2	3.2 ... 12.5
DIN 2527	Form C	-	-	40 ... 160
	Form E	-	-	< 16

Insertion lengths

Protection tube design	Standard insertion length	Min./max. insertion length
Straight, form 2F DIN 43772	225, 315, 465 mm	50 mm / 3,000 mm
Tapered, form 3F DIN 43772	225, 285, 345 mm	85 mm / 3,000 mm
Tapered, weld-on solid tip, in line with DIN 43772	160, 250, 400 mm	75 mm / 3,000 mm
Straight, in line with form 2F DIN 43772, special material	225, 315, 465 mm	50 mm / 3,000 mm
Straight, in line with form 2F DIN 43772, tantalum cover	225, 315, 465 mm	50 mm / 1,000 mm
Tapered, in line with form 3F DIN 43772, tantalum cover	225, 285, 345 mm	85 mm / 1,000 mm

Other insertion lengths to customer specification

Neck lengths

■ Protection tube designs in accordance with DIN 43772

Protection tube design	Standard neck length	Min./max. neck length				
		PN 6 ... PN 40 (DN 25 ... DN 50)	PN 63 ... PN 100 (DN 25 ... DN 50)	150 ... 300 lbs (1" ... 2")	600 lbs (1" ... 2")	900 ... 1,500 lbs (1" ... 2")
Straight, form 2F DIN 43772	65 mm	40 / 900 mm	50 / 900 mm	45 / 900 mm	55 / 900 mm	65 / 900 mm
Tapered, form 3F DIN 43772	67 mm	40 / 900 mm	50 / 900 mm	45 / 900 mm	55 / 900 mm	67 / 900 mm
Tapered, weld-on solid tip, in line with DIN 43772, non-standard design	130 mm	40 / 900 mm	50 / 900 mm	45 / 900 mm	55 / 900 mm	65 / 900 mm

■ Wetted parts: special material

Protection tube design	Standard neck length	Min./max. neck length				
		PN 6 ... PN 40 (DN 25 ... DN 50)	PN 63 ... PN 100 (DN 25 ... DN 50)	150 ... 300 lbs (1" ... 2")	600 lbs (1" ... 2")	900 ... 1,500 lbs (1" ... 2")
Straight, in line with DIN 43772, non-standard design	65 mm	50 / 150 mm	60 / 150 mm	55 / 150 mm	65 / 150 mm	75 / 150 mm

■ Tantalum cover with tantalum flange disc

Protection tube design	Standard neck length	Min./max. neck length				
		PN 6 ... PN 40 (DN 25 ... DN 50)	PN 63 ... PN 100 (DN 25 ... DN 50)	150 ... 300 lbs (1" ... 2")	600 lbs (1" ... 2")	900 ... 1,500 lbs (1" ... 2")
Straight, in line with DIN 43772, non-standard design	65 mm	40 / 900 mm	50 / 900 mm	45 / 900 mm	55 / 900 mm	65 / 900 mm
Tapered, in line with DIN 43772, non-standard design	67 mm	40 / 900 mm	50 / 900 mm	45 / 900 mm	55 / 900 mm	65 / 900 mm

The neck tube is screwed into the connection head. The neck length depends on the intended use. Usually an isolation is bridged by the neck tube. Also, in many cases, the neck tube serves as a cooling extension between the connection head and the medium, in order to protect any possible built-in transmitter from high medium temperatures.

Other versions on request

Measuring insert

Within the TR10-F, the measuring insert of model TR10-A is fitted.

The replaceable measuring insert is made of a vibration-resistant, sheathed measuring cable (MI cable).

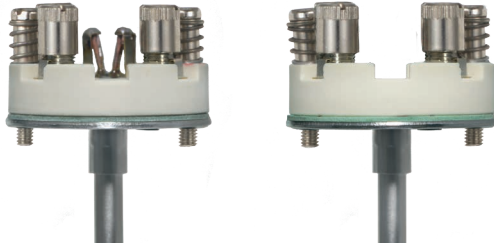


Fig. left: standard version

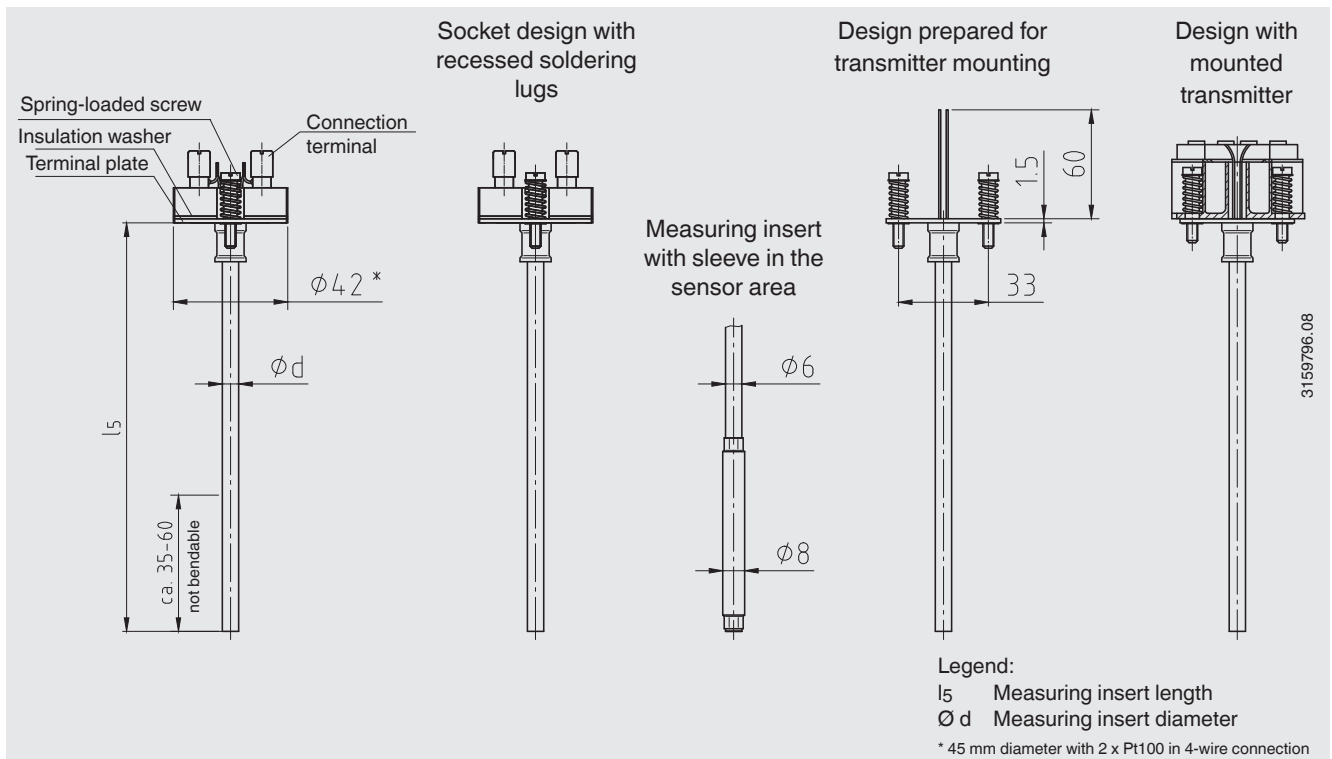
Fig. right: version with recessed soldering lugs (option)

Only correct measuring insert length and correct measuring insert diameter ensure sufficient heat transfer from protection tube to the measuring insert.

The bore diameter of the protection tube should be a max. 1 mm larger than the measuring insert diameter. Gaps of more than 0.5 mm between protection tube and the measuring insert will have a negative effect on the heat transfer, and they will result in unfavourable response behaviour of the thermometer.

When fitting the measuring insert into a protection tube, it is very important to determine the correct insertion length (= protection tube length for bottom thicknesses of ≤ 5.5 mm). In order to ensure that the measuring insert is firmly pressed down onto the bottom of the protection tube, the insert must be spring-loaded (spring travel: max 10 mm).

Dimensions in mm



Measuring insert diameter $\varnothing d$ in mm		Index per DIN 43735	Tolerance in mm	Sheath material	
				Standard design	Recessed soldering lugs
3 ¹⁾	Standard	30	3 ± 0.05	1.4571, 316L ¹⁾²⁾	1.4571
6	Standard	60	$6 \begin{smallmatrix} 0 \\ -0.1 \end{smallmatrix}$	1.4571, 316L ¹⁾²⁾	1.4571
8 (6 mm with sleeve)	Standard	-	$8 \begin{smallmatrix} 0 \\ -0.1 \end{smallmatrix}$	1.4571	1.4571
8	Standard	80	$8 \begin{smallmatrix} 0 \\ -0.1 \end{smallmatrix}$	1.4571, 316L ¹⁾²⁾	1.4571

1) Not possible with 2 x 4-wire versions

2) Not with socket design with recessed soldering lugs

Operating conditions

Mechanical requirements

Version	
Standard	6 g peak-to-peak, wire-wound measuring resistor or thin film
Option	Vibration-resistant sensor tip, max. 20 g peak-to-peak, thin-film measuring resistor
	Highly vibration-resistant sensor tip, max. 50 g peak-to-peak, thin-film measuring resistor

The information on the vibration resistance refers to the tip of the measuring insert.

For detailed specifications for vibration resistance of Pt100 sensors, see Technical information IN 00.17 at www.wika.com.

Max. process temperature, process pressure

Depending on:

- Load diagram DIN 43772
- Protection tube design
 - Dimensions
 - Material
- Process conditions
 - Flow rate
 - Medium density

Ambient and storage temperature

-40 ... +80 °C

Other ambient and storage temperatures on request

Thermowell calculation

With critical operating conditions, a thermowell calculation in accordance with Dittrich/Klotter is recommended as a WIKA engineering service.

Note: ASME PTC 19.3 TW-2016 is not applicable for the TR10-F.

For further information, see Technical information IN 00.15 "Strength calculation for thermowells".

Certificates (option)

Certification type	Measurement accuracy	Material certificate ¹⁾
2.2 test report	x	x
3.1 inspection certificate	x	x
DKD/DAkkS calibration certificate	x	-

The different certifications can be combined with each other.

1) Protection tubes

Ordering information

Model / Explosion protection / Further approvals, certificates / Sensor / Accuracy class, range of use of the sensor / Connection housing / Cable entry / Transmitter / Connection to neck tube / Protection tube / Protection tube diameter / Process connection / Protection tube material / Insertion length / Neck length / Certificates / Options

© 04/2008 WIKA Alexander Wiegand SE & Co. KG, all rights reserved.
The specifications given in this document represent the state of engineering at the time of publishing.
We reserve the right to make modifications to the specifications and materials.

