

# Bourdon Tube Pressure Gauges Stainless Steel Series Type 131.11

WIKAI Data Sheet 131.11

## Applications

- Suitable for corrosive environments and gaseous or liquid media that will not obstruct the pressure system
- Ideal when a smaller size instrument is needed
- CDA (Clean Dry Air) applications

## Product features

- All stainless steel construction
- 316L wetted parts
- Cost effective and reliable
- Positive pressure ranges to 15,000 psi (1000 bar)

## Specifications

### Design

ASME B40.100 & EN 837-1

### Sizes

1.5", 2" & 2½" (40, 50 and 63 mm)

### Accuracy class

3/2/3% of span per ASME B40.100 Grade B

### Ranges

Vacuum / Compound to 200 psi

Pressure from 15 psi to 10,000 psi or equivalent units of pressure and vacuum

### Working pressure

Steady: 3/4 of full scale value

Fluctuating: 2/3 of full scale value

Short time: full scale value

### Operating temperature

Ambient: -40°F to +140°F (-40°C to +60°C)

Medium: +212°F (+100°C) maximum

### Temperature error

Additional error when temperature changes from reference temperature of 68°F (20°C) ±0.4% of span for every 18°F (10°C) rising or falling.



Bourdon Tube Pressure Gauge Model 131.11, 1½" (40 mm)

### Pressure connection

Material: 316L stainless steel

Lower mount (LM) or center back mount (CBM)

1/8" or 1/4" NPT (male)

### Bourdon tube

Material: 316L stainless steel

≤ 1000 psi (70 bar): C-shape

> 1000 psi (70 bar): Helical type

### Movement

Stainless steel

### Dial

White aluminum with black lettering, with stop pin

### Pointer

Black aluminum

### Case

Stainless steel

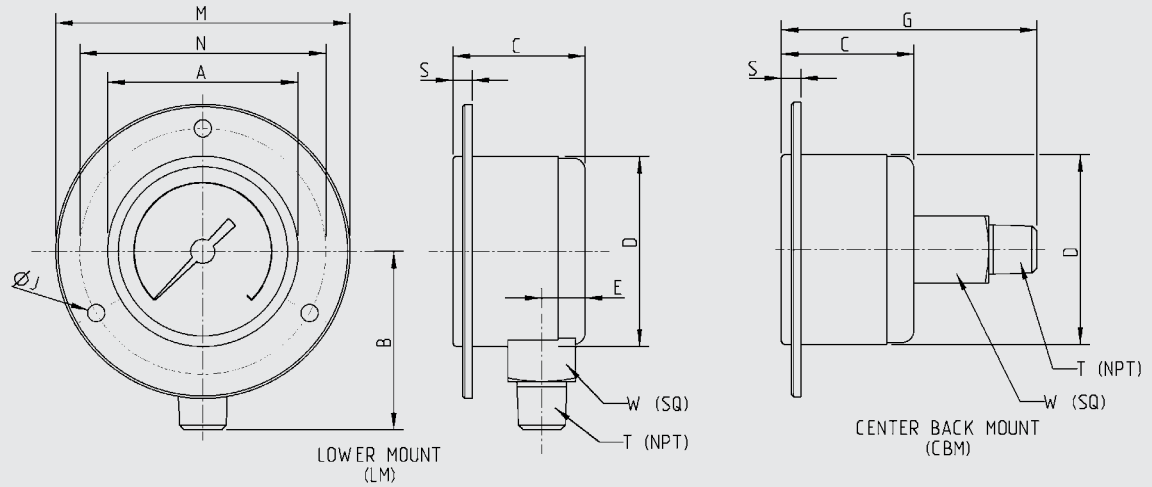
### Window

Snap-in polycarbonate

## Optional extras

- Friction fit cover ring with instrument glass window
- Special threaded connection
- Front Flange
- U-clamp for panel mounting
- Rear flange (for 2½" size only)

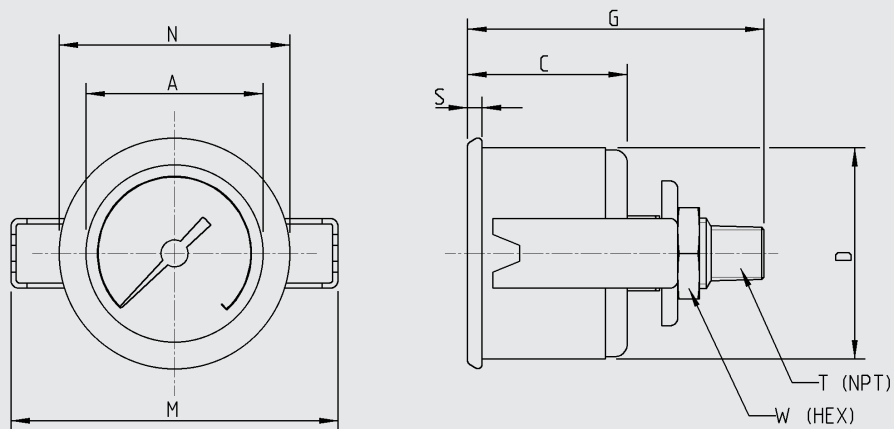
## Front Flange



SIZE		A*	B	C	D	E	G	J	M	N	S	T	W
1.5"	MM	40	37	27.5	40	9	53	3.6	61	51	4	1/8"	14
	IN	1.50	1.46	1.08	1.57	.35	2.09	0.14	2.4	2	.16	1/8"	0.55
2"	MM	50	47	28.5	50	9.6	55	3.6	71	60	4	1/4"	14
	IN	2.00	1.85	1.12	1.97	.38	2.17	.14	2.8	2.36	.16	1/4"	0.55
2.5"	MM	63	54	29	63	10	55	3.6	85	75	4	1/4"	14
	IN	2.50	2.13	1.14	2.48	.39	2.17	.14	3.35	2.95	.16	1/4"	0.55

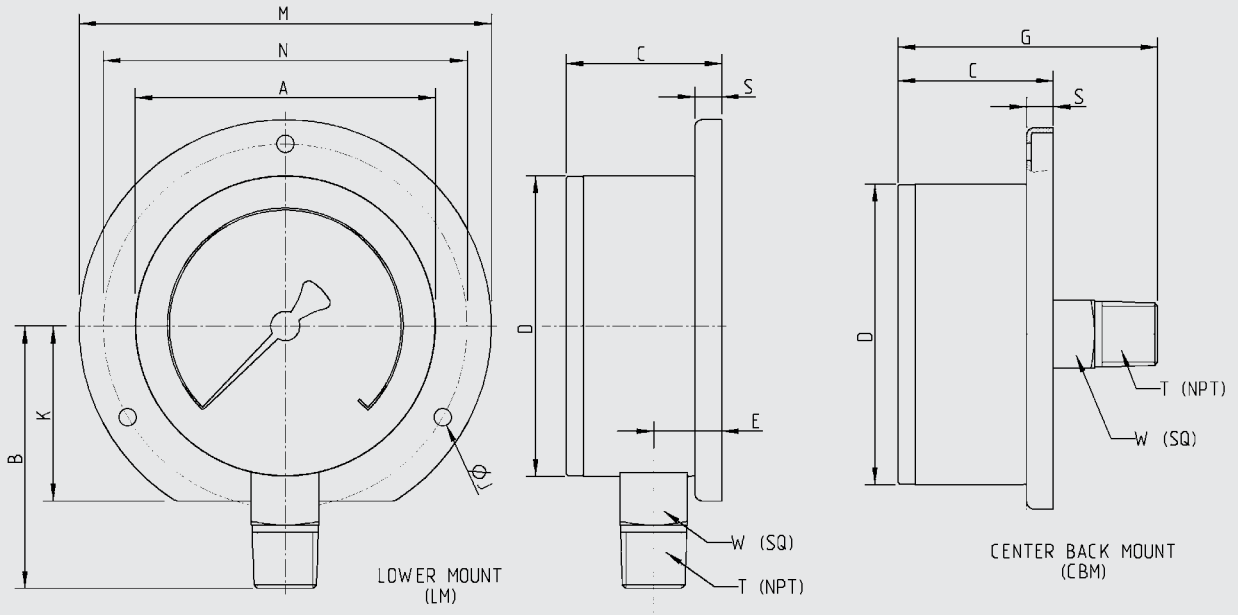
\*NOMINAL

## U-Clamp



SIZE		A*	C	D	G	M	N	S	T	W
1.5"	MM	40	30	40	53	61	43	2.7	1/8"	17
	IN	1.50	1.18	1.57	2.09	2.4	1.69	.11	1/8"	.67
2"	MM	50	31	50	55	61	54	3.5	1/4"	17
	IN	2.00	1.22	1.97	2.17	2.4	2.13	.14	1/4"	.67
2.5"	MM	63	31.5	63	55	75	68	3.9	1/4"	17
	IN	2.50	1.24	2.48	2.17	2.95	2.68	.15	1/4"	.67

\*NOMINAL



SIZE		A*	B	C	D	E	G	J	K	M	N	S	T	W
2.5"	MM	63	54	32	62	14	53.5	3.6	36	85	75	5.5	1/4"	14
	IN	2.50	2.13	1.26	2.44	.55	2.11	.14	1.42	3.35	2.95	.22		.55

\*NOMINAL

## Rear Flange



**WIKAI Instrument, LP**  
 1000 Wiegand Boulevard  
 Lawrenceville, GA 30043-5868  
 Tel: 888-WIKA-USA • 770-513-8200  
 Fax: 770-338-5118  
 E-Mail: info@wika.com  
 www.wika.com