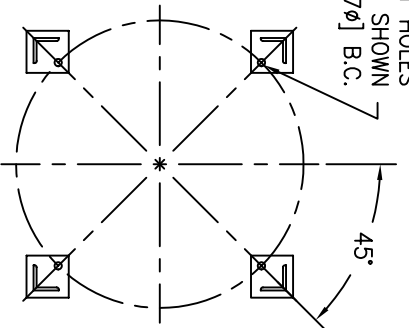


(4) 7/8" ϕ [22 ϕ] BOLT HOLES
LOCATED AS SHOWN
ON 34.13 ϕ [867 ϕ] B.C.



SECTION B-B

ITEM	PART NAME	MATERIAL
1	BODY	SA240 304 / 304L
2	COVER	SA240 304 / 304L
3	O-RING	BUNA-N
4	PIN	SA193 B7 ZINC PL
5	SNAP RING	STEEL ZINC PL
6	BASKET RESTRAINER	304 SS
7	FILTER BAG RETAINER	316 SS
8	EYE BOLT	SA193 B7 ZINC PL
9	HEX NUT	SA194 2H ZINC PL
10	WASHER	STEEL ZINC PL
11	DAVIT ASSEMBLY	CARBON STEEL

NOTES:

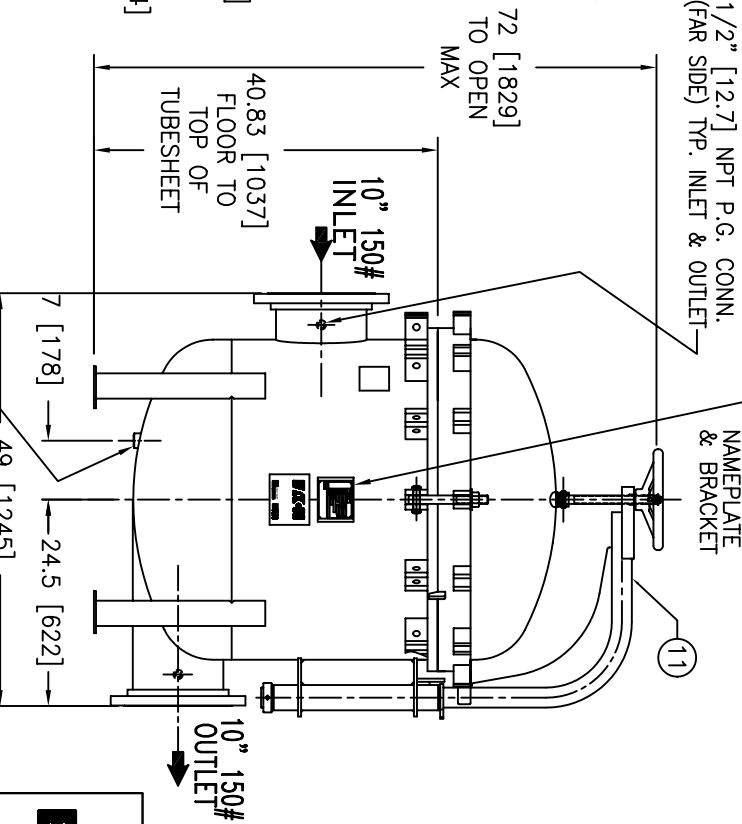
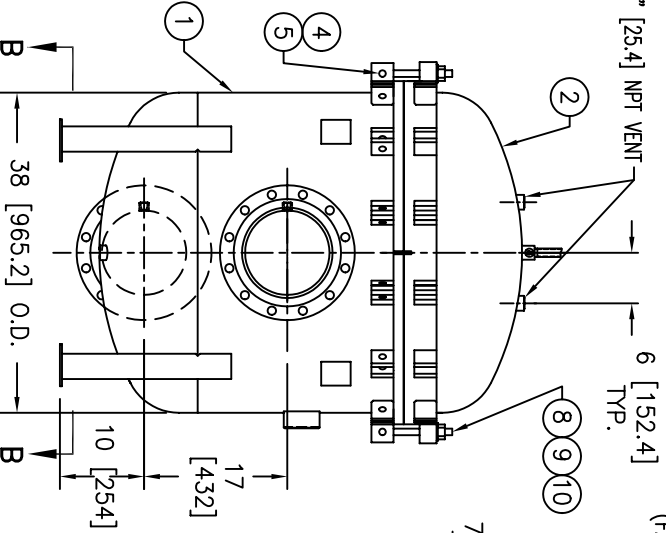
1. UNITS ARE TO BE DESIGNED, FABRICATED & "U" STAMPED IN ACCORDANCE WITH ASME SECT. VIII, DIV. 1 BOILER & PRESSURE VESSEL CODE, IN COMPLIANCE TO LATEST ADDENDA.
2. INLET / OUTLET FLANGE CONNECTIONS PER ANSI B 16.5.
3. DESIGN PRESSURE: 150 PSI (MAWP)
DESIGN TEMPERATURE 250° F.
MDMT - -20° F @ 150 PSI.
4. ALL DIMENSIONS ARE IN INCHES / (MM).
5. ALL BOLT HOLES ARE TO STRADDLE NATURAL CENTERLINES.
6. APPROX. WEIGHT (DRY) 1500 LB. (680 KG.)

CERTIFIED FOR:

P.O. NO.:
SALES ORDER NO.:
QUOTE NO.:
TAG NO.:
VESSEL CODE: MBF-1202-BB10-100A-UT-11HD
PART NUMBER: F3AV1200003-304

EATON FILTRATION, LLC

900 FAIRMOUNT AVENUE, ELIZABETH, NEW JERSEY 07207
NAME MAXILINE MBF1202HD FILTER VESSEL
10" 150# RF INLET / TANGENTIAL OUTLET
STAINLESS STEEL-304



ELECTRONIC FILE NAME: HD1210TS-304.DWG
REF: ECR E370 DATE 12/13/06

UNAUTHORIZED USE, MANUFACTURE OR REPRODUCTION IN WHOLE OR IN PART IS PROHIBITED. DRAWING, DESIGN AND OTHER DISCLOSURES PROPERTY OF EATON FILTRATION, LLC

SIZE	DWG NO	DATE	REV
A	HD1210TS-304	12/13/06	A