



Flow Switch for very Low Volumes with Fixed Set Point



measuring
•
monitoring
•
analysing

SVN/KSR



- Switching range:
Fixed set points between
2 - (160) 250 cm³/min water
50 - 6000 Ncm³/min air
- p_{max}: 16 bar; t_{max}: 70 °C
- Connection: G 1/4, 1/4" NPT
- Materials:
stainless steel / Borosilicate glass



KOBOLD companies worldwide:

ARGENTINA, AUSTRIA, BELGIUM, BULGARIA, CANADA, CHILE, CHINA, COLOMBIA, CZECHIA, DOMINICAN REPUBLIC, EGYPT, FRANCE, GERMANY, GREAT BRITAIN, HUNGARY, INDIA, INDONESIA, ITALY, MALAYSIA, MEXICO, NETHERLANDS, PERU, POLAND, ROMANIA, SINGAPORE, SOUTH KOREA, SPAIN, SWITZERLAND, TAIWAN, THAILAND, TUNISIA, TURKEY, USA, VIETNAM

KOBOLD Messring GmbH
Nordring 22-24
D-65719 Hofheim/Ts.
Head Office:
+49(0)6192 299-0
+49(0)6192 23398
info.de@kobold.com
www.kobold.com



Flow Switch for very Low Volumes with Fixed Set Point Model SVN/KSR

Method of Operation

The KOBOLD flow switch types SVN and KSR operate on the known suspended float principle of measurement and are suited for liquids and gases.

This switch must be fitted vertically with the media flowing from bottom to top.

Set point

The flow switch is designed for small flows. The set point is set at the factory to the value specified by the customer (a decreasing or increasing flow rate is specified).

Switching ranges

Water: 2 - 250 cm³/min (Typ SVN)
2 - 160 cm³/min (Typ KSR)

Luft: 50 - 6000 Ncm³/min
at 1013 mbar; 20 °C

Technical Details

Connection: G ¼ female
(¼" NPT optional)

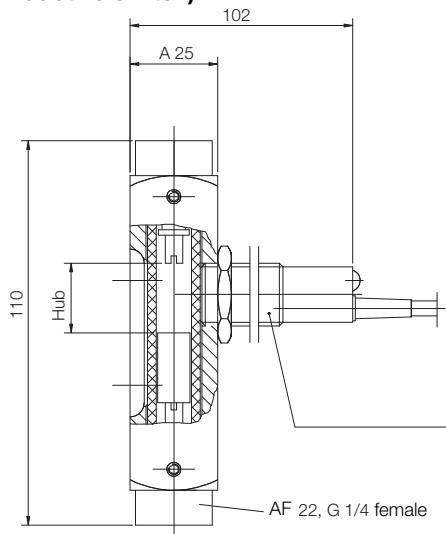
Protection: IP 67

Max. pressure: 16 bar

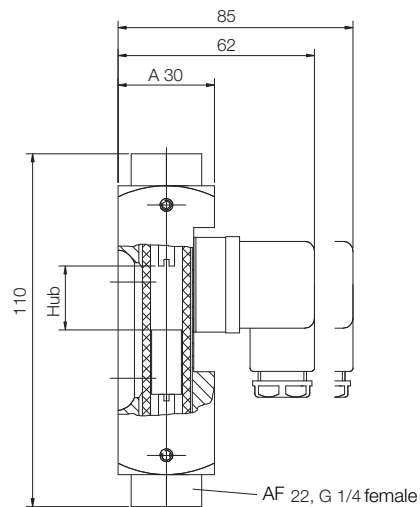
Max. temperature: 70 °C

Materials
(media contacting): stainless steel 1.4305;
Borosilicate glass
Gasket: FPM

Model SVN: (with inductive switch)



Model KSR: (with reed contact)



Order Details (Example: SVN - 1200 W R08; 100 cm³/min decreasing flow rate)

Order number	Limit switch	Medium	Connection (female)	Set point (please specify in writing)
SVN-1200	Switch Namur* 7.7 - 9 V _{DC} , 2-wire	W = Wasser L = Luft	R08 = G ¼ N08 = ¼" NPT	For example 100 cm ³ /min decreasing flow rate
SVN-1201	Switch DC voltage 10 - 30 V _{DC} , 3-wire, NPN, N/O contact			
KSR-1200	Reed contact N/O contact 24 V/0,1 A/1 Watt			
KSR-1201	Reed contact changeover contact 100 V/0.5 A/5 Watt/VA			

*We recommend our transistor relay for the Namur switch:
for example model KFD2-SR2-EX1.W or KFA6-SR2-EX1.W