



Level Monitor for Bulk



measuring
•
monitoring
•
analysing

NSV



- Special lengths up to max. 3000 mm
- No calibration necessary
- Insensitive against moisture
- Compact installation
- Stainless steel fork 1.4305
- Relay output
- Suitable for low bulk densities from 60 g/l
- For ATEX- applications



KOBOLD companies worldwide:

ARGENTINA, AUSTRALIA, AUSTRIA, BELGIUM, BULGARIA, CANADA, CHILE, CHINA, COLOMBIA, CZECHIA, EGYPT, FRANCE, GERMANY, GREAT BRITAIN, HUNGARY, INDIA, INDONESIA, ITALY, MALAYSIA, MEXICO, NETHERLANDS, PERU, POLAND, REPUBLIC OF KOREA, ROMANIA, SINGAPORE, SPAIN, SWITZERLAND, TAIWAN, THAILAND, TUNISIA, TURKEY, USA, VIETNAM

KOBOLD Messring GmbH
Nordring 22-24
D-65719 Hofheim/Ts.
Head Office:
+49(0)6192 299-0
+49(0)6192 23398
info.de@kobold.com
www.kobold.com



Description

The level monitor model NSV has decisive advantages, especially with bulk goods with low bulk density. Vibrations are induced in a stainless steel fork by a piezoelectric crystal. If the medium comes into contact with the vibrating fork, this vibration is damped. This damping is detected in a pluggable evaluation module and transformed into a potential-free limit contact.

In addition to the standard version NSV-8200, the devices can also be provided for vertical installation with an extended neck pipe (NSV-8201). The maximum length of the neck pipe is 3000 mm. The plug-in evaluation module can be changed easily so that the devices are really easy to maintain.

Operation can be set for maximum or minimum security by means of a selector switch (A and B). The respective switching status of the relay is indicated by a LED.

Decisive advantages of the level monitor NSV

- No calibration necessary
- Suitable for low bulk den
- Insensitive against moisture
- Stainless steel sensor

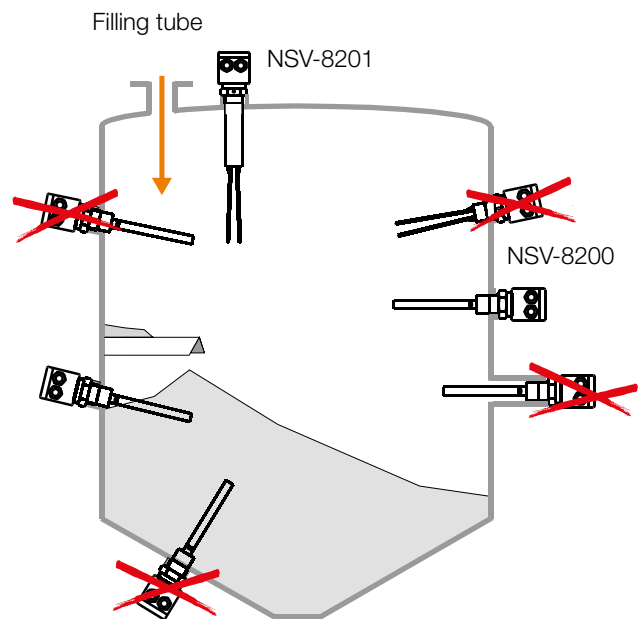
Application areas

- Grain
- Plastic granulate
- Cement
- Flour
- Sugar
- Food
- Animal feed

Technical Details

Measuring principle:	vibration
Max. Immersion length:	3000 mm
Medium temperature:	-20 ... +80 °C
Ambient temperature:	-20 ... +60 °C
Minimum density of bulk:	60 g/l
Fork material:	stainless steel (1.4305)
Housing material:	polycarbonate, 350° turnable
Mechanical connection:	G 1½, stainless steel (1.4305)
Electr. connection:	via 1 (2) cable gland
Supply voltage:	24, 110, 230 V _{AC} 50/60 Hz or 18...36 V _{DC}
Maximum power input:	1 VA
Relay output:	max. 250 V _{AC} , 1A
Max. pressure (at 20 °C):	25 bar
Protection:	IP 65
ATEX-marking:	Ⓔ II 1/2 D Ex tDA20/21 IP 65 T80°C -20 °C ≤ Ta ≤ +60 °C

Installation



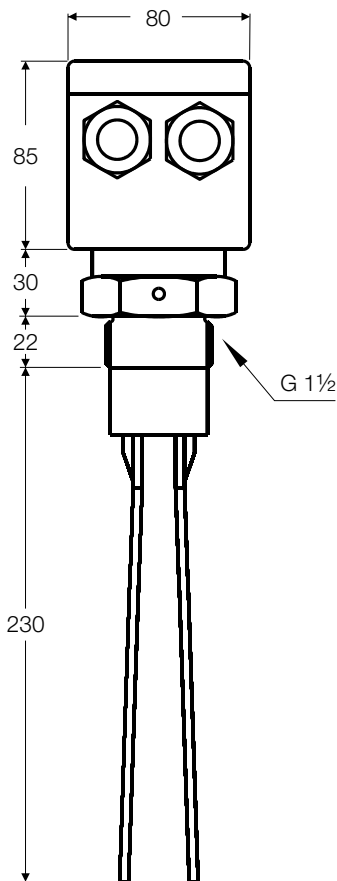
Order Details (Example: NSV-8 2 00 G8 0 0)

Model	Version	Material	Immersion length*	Mechanical connection	ATEX	Supply voltage
NSV-	8 = standard	2 = stainless steel 1.405	00 = standard, short version 01 = extended version (max. 3 m)	G8 = G 1 ½	0 = without E = ATEX	0 = 230 V _{AC} 2 = 24 V _{AC} 3 = 18...36 V _{DC} 4 = 110 V _{AC}

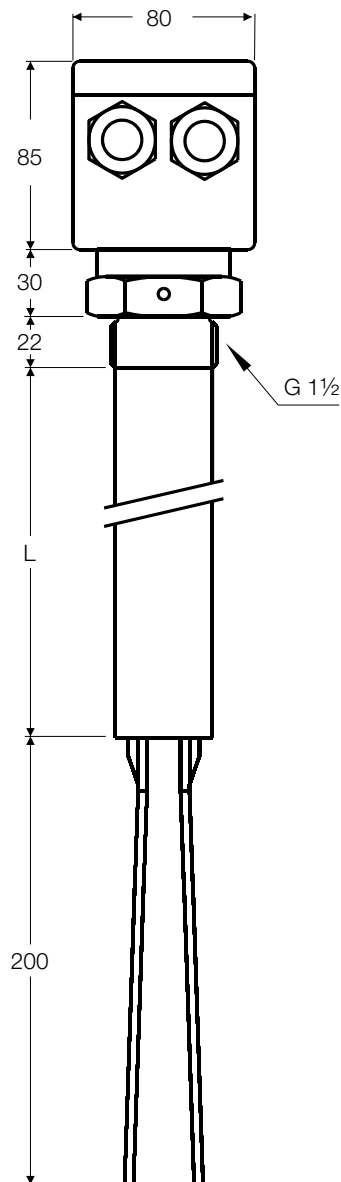
* Immersion length «L» please specify in writing

Dimensions [mm], standard version

NSV-8200

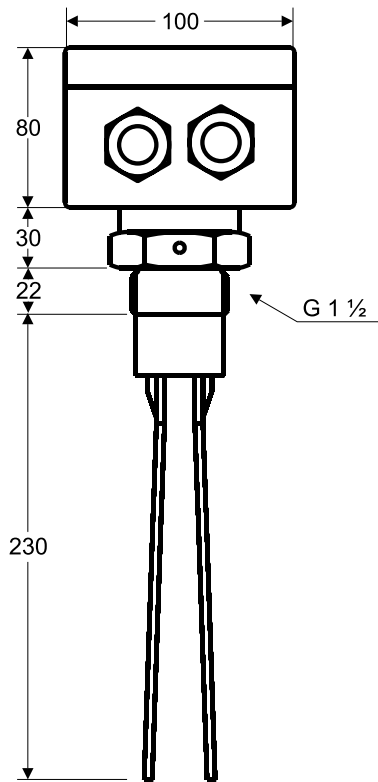


NSV-8201



Dimensions [mm], ATEX version

NSV-8200G8E0



NSV-8201G8E0

