

Level measurement

Continuous level measurement

Radar level transmitters

SITRANS LR250 Flanged Encapsulated Antenna

Overview



SITRANS LR250 with flanged encapsulated antenna is a 2-wire, 25 GHz pulse radar level transmitter for continuous monitoring of liquids and slurries in storage and process vessels including corrosives or aggressive materials, to a range of 20 m (66 ft) (antenna dependent).

Benefits

- Fully encapsulated horn antenna design with FDA approved TFM 1600 PTFE lens for use in chemical and sanitary environments where aggressive and corrosive materials are used
- Cost effective replacement for transmitters made of exotic materials
- Graphical local user interface (LUI) makes operation simple with plug-and-play setup using the intuitive Quick Start Wizard
- LUI displays echo profiles for diagnostic support
- 25 GHz high frequency and 50 mm (2 inch) process connection/antenna allow for easy mounting
- Insensitive to mounting location and obstructions, and less sensitive to nozzle interference
- Short blanking distance for improved minimum measuring range to 50 mm (2 inch) from the end of the antenna
- Communication using HART, PROFIBUS PA, or FOUNDATION Fieldbus
- Process Intelligence signal processing for improved measurement reliability and Auto False-Echo Suppression of fixed obstructions
- Programming using infrared Intrinsically Safe handheld programmer or over a network using SIMATIC PDM, Emerson AMS, or Field Device Tools such as PACTware or Fieldcare via SITRANS DTM
- Functional Safety (SIL 2). Device suitable for use in accordance with IEC 61508 and IEC 61511
- Suitable for API 2350

Application

SITRANS LR250 includes a graphical local user interface (LUI) that improves setup and operation by including an intuitive Quick Start Wizard, and echo profile displays for diagnostic support. Startup is easy using Quick Start Wizard with a few parameters required for basic operation.

The 25 GHz frequency creates a narrow, focused beam allowing for smaller antenna options and decreasing sensitivity to obstructions.

SITRANS LR250's unique design allows safe and simple programming using the Intrinsically Safe handheld programmer without having to open the instrument's lid.

SITRANS LR250 measures superbly in small vessels and in tanks/vessels up to 20 m (66 ft) on materials with $dk > 1.6$.

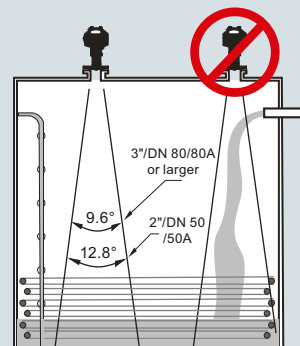
- Key Applications: liquid bulk storage tanks, process vessels with agitators, vaporous liquids, temperatures to 170 °C (338 °F), corrosive and aggressive materials and applications where ease of cleaning is required such as food or fine chemicals

Configuration

Installation

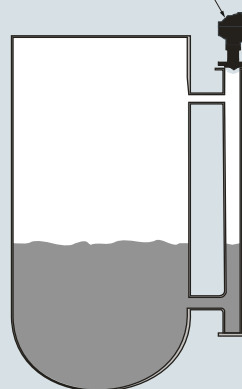
Note:

- Beam angle is the width of the cone where the energy density is half of the peak energy density.
- The peak energy density is directly in front of and in line with the antenna.
- There is a signal transmitted outside of the beam angle; therefore false targets may be detected.



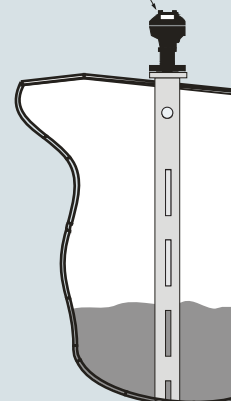
Mounting on bypass

Orient front or back of device toward vent.

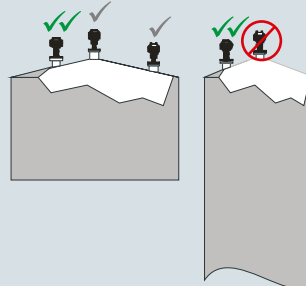


Mounting on stilling well

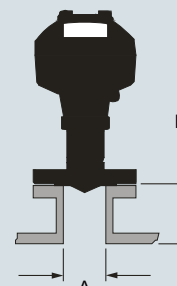
Orient front or back of device toward stillpipe slots.



Mounting on vessel



Mounting on a nozzle



A	B*
ø 50 (2)	500 (20) max.
ø 80 (3)	500 (20) max.
ø 100 (4)	500 (20) max.
ø 150 (6)	500 (20) max.

*Reference conditions

SITRANS LR250 Flanged Encapsulated Antenna installation, dimensions in mm (inch)

Level measurement

Continuous level measurement
Radar level transmitters

SITRANS LR250 Flanged Encapsulated Antenna

Technical specifications

Mode of operation

Measuring principle	Radar level measurement
Frequency	K-band (25.0 GHz)
Minimum measuring range	50 mm (2 inch) from end of antenna
Maximum measuring range	20 m (66 ft)

Output

HART	Version 5.1
• Analog output	4 ... 20 mA
• Accuracy	± 0.02 mA
• Fail-safe	<ul style="list-style-type: none"> • Programmable as high low or hold (loss of echo) • NE 43 programmable
PROFIBUS PA	Profile 3.01
• Function blocks	2 Analog Input (AI)
FOUNDATION Fieldbus	H1
• Functionality	Basic or LAS
• Version	ITK 5.2.0
• Function blocks	2 Analog Input (AI)

Performance (according to reference conditions IEC60770-1)

Maximum measured error	<ul style="list-style-type: none"> • > 500 mm from sensor reference point: 3 mm (0.118 inch) • < 500 mm from sensor reference point: 25 mm (1 inch)
Influence of ambient temperature	< 0.003 %/K

Rated operating conditions

Installation conditions	
• Location	Indoor/outdoor
Ambient conditions (enclosure)	
• Ambient temperature	-40 ... +80 °C (-40 ... +176 °F)
• Storage temperature	-40 ... +80 °C (-40 ... +176 °F)
• Installation category	I
• Pollution degree	4

Medium conditions

Dielectric constant ϵ_r	≥ 1.6 (antenna dependent)
Process temperature	-40 ... +170 °C (-40 ... +338 °F) at process connection
Process pressure	See Pressure/Temperature curves for more information (page 4/233)

Design

Enclosure	
• Material	Aluminum, polyester powder-coated
• Cable inlet	2 x M20 x 1.5 or 2 x 1/2" NPT
Degree of protection	Type 4X/NEMA 4X, Type 6/NEMA 6, IP67, IP68
Weight (dependent on process connection)	<ul style="list-style-type: none"> • Approx. 7 kg (15.43 lb) for 2" Class 150 ASME B16.5 raised face flange (smallest size) • Approx. 17.7 kg (39.02 lb) for 6" Class 150 ASME B16.5 raised face flange (largest size)
Display (local)	Graphic local user interface including quick start wizard and echo profile display
Antenna	
• Material	Stainless Steel 316L (1.4435 or 1.4404) and TFM 1600 PTFE Lens (lens is the only wetted part)
• Dimensions (nominal sizes)	48 mm (2 inch), 80 mm (3 inch), 100 mm (4 inch), 150 mm (6 inch)

Process connections

Flanged connection	<p>Raised Face</p> <ul style="list-style-type: none"> • 2, 3, 4, 6" Class 150 ASME B16.5 • 50A, 80A, 100A, 150A 10K JIS B 2220 • DN 50, DN 80, DN 100 & DN 150 PN 10/16 EN 1092-1 type B1
--------------------	--

Power supply

4 ... 20 mA/HART	Nominal 24 V DC (max. 30 V DC) with max. 550 Ω
PROFIBUS PA	<ul style="list-style-type: none"> • 15 mA • Per IEC 61158-2
FOUNDATION Fieldbus	<ul style="list-style-type: none"> • 20.0 mA • Per IEC 61158-2

Certificates and approvals

General	CSA _{US/IC} , CE, FM, RCM
Radio	FCC, Industry Canada, RED, RCM
Hazardous	
• Explosion Proof (Brazil)	INMETRO Ex d ia mb IIC T4 Ga/Gb, Ex ia ta IIIC T100 °C Da
• Increased Safety (Brazil)	INMETRO Ex e ia mb IIC T4 Ga/Gb, Ex ia ta IIIC T100 °C Da
• Intrinsically Safe (Brazil)	INMETRO Ex ia IIC T4 Ga, Ex ia ta IIIC T100 °C Da
• Explosion Proof (Canada/USA)	CSA/FM Class I, Div. 1, Groups A, B, C, D; Class II, Div. 1, Groups E, F, G; Class III T4
• Intrinsically Safe (Canada/USA)	CSA/FM Class I, Div. 1, Groups A, B, C, D; Class II, Div. 1, Groups E, F, G; Class III T4
• Non-incendive (Canada/USA)	CSA/FM Class I, Div. 2, Groups A, B, C, D T5
• Flame Proof/Increased Safety (China)	NEPSI Ex d ia mb IIC T4 Ga/Gb, Ex e ia mb IIC T4 Ga/Gb, Ex iaD tD A20 IP67 T100 °C
• Intrinsically Safe (China)	NEPSI Ex ia IIC T4 Ga, Ex iaD tD A20 IP67 T100 °C
• Non-sparking/Energy Limited (China)	NEPSI Ex nA IIC T4 Gc
• Intrinsically Safe (Europe)	ATEX II 1G Ex ia IIC T4 Ga
• Non-sparking/Energy Limited (Europe)	ATEX II 1D Ex ia ta IIIC T100 °C Da
• Flame Proof (International/Europe)	ATEX II 3G Ex nA IIC T4 Gc
• Increased Safety (International/Europe)	IECEX/ATEX II 1/2 GD, 1D, 2D Ex d mb ia IIC T4 Ga/Gb, Ex ia ta IIC T100 °C Da
• Intrinsically Safe (International)	IECEX/ATEX II 1 G Ex ia IIC T4 Ga, IECEX/ATEX II 1D Ex ia ta IIIC T100 °C Da
• Explosion Proof (Russia/Kazakhstan)	EAC Ex d
• Increased Safety (Russia/Kazakhstan)	EAC Ex e
• Intrinsically Safe (Russia/Kazakhstan)	EAC Ex ia
• Marine	<ul style="list-style-type: none"> • Lloyd's Register of Shipping • ABS Type Approval • Bureau Veritas
• Functional Safety	SIL-2 suitable in accordance with IEC 61508/61511

Programming

Intrinsically Safe Siemens handheld programmer	Infrared receiver
• Approvals for handheld-programmer	IS model: ATEX II 1 GD Ex ia IIC T4 Ga Ex ia D 20 T135 °C T _a = -20 ... +50 °C CSA/FM Class I, II, III, Div. 1, Groups A, B, C, D, E, F, G, T6 T _a = 50 °C IECEx SIR 09.0073
Handheld communicator	HART communicator 375/475
PC	<ul style="list-style-type: none"> • SIMATIC PDM • Emerson AMS • SITRANS DTM (for connection into FDT such as PACTware or Fieldcare)
Display (local)	Graphic local user interface including quick start wizard and echo profile displays

SITRANS LR250 Flanged Encapsulated Antenna

Selection and ordering data	Article No.	Order code
SITRANS LR250 Radar level transmitter with encapsulated horn and PTFE lens Continuous, non-contact, 20 m (66 ft) range, for liquids and slurries in the chemical industry. ↗ Click on the Article No. for the online configuration in the PIA Life Cycle Portal.	7ML5432-0	
Process Connection Material Stainless steel 1.4404/1.4435	0	
Process Connection Type Flanged Process Connection Types (stainless steel 1.4404/1.4435) 2" Class 150 ASME B16.5 raised face ¹⁾ 3" Class 150 ASME B16.5 raised face 4" Class 150 ASME B16.5 raised face 6" Class 150 ASME B16.5 raised face 50A 10K JIS B 2220 raised face ¹⁾ 80A 10K JIS B 2220 raised face 100A 10K JIS B 2220 raised face 150A 10K JIS B 2220 raised face DN 50 PN 10/16 EN 1092-1 type B1 raised face ¹⁾ DN 80 PN 10/16 EN 1092-1 type B1 raised face DN 100 PN 10/16 EN 1092-1 type B1 raised face DN 150 PN 10/16 EN 1092-1 type B1 raised face	B F B G B H B J F D F E F F F G G A G B G C G D	
Communication/Output PROFIBUS PA 4 ... 20 mA, HART, start-up at < 3.6 mA FOUNDATION Fieldbus	1 2 3	
Enclosure/Cable inlet Aluminum, Epoxy painted 2 x 1/2" NPT 2 x M20 x 1.5	0 1	
Antenna lens material TFM 1600 PTFE Flush Lens	A	
Approvals General Purpose, CE, CSA, FM, FCC, RED, RCM Intrinsically Safe: CSA/FM Class I, Div. 1, Groups A, B, C, D, Class II, Div. 1, Groups E, F, G, Class III T4 FCC, Industry Canada Intrinsically Safe: IECEx/ATEX II 1 G Ex ia IIC T4 Ga, IECEx/ATEX II 1D Ex ia ta IIIC T100 °C Da, INMETRO Ex ia IIC T4 Ga, Ex ia ta IIIC T100 °C Da, CE, RED, RCM Non-incendive: CSA/FM Class I, Div. 2, Groups A, B, C, D T5, FCC, Industry Canada Non Sparking: ATEX II 3G Ex nA IIC T4 Gc, CE, RED, RCM Increased Safety: IECEx/ATEX II 1/2 GD, 1D, 2D Ex e mb ia IIC T4 Ga/Gb, Ex ia ta IIIC T100 °C Da, INMETRO Ex e ia mb IIC T4 Ga/Gb, Ex ia ta IIIC T100 °C Da, CE, RED, RCM ²⁾ Flameproof: IECEx/ATEX II 1/2 GD 1D, 2D Ex d mb ia IIC T4 Ga/Gb, Ex ia ta IIIC T100 °C Da, INMETRO Ex d ia mb IIC T4 Ga/Gb, Ex ia ta IIIC T100 °C Da, CE, RED, RCM ²⁾ Explosion proof: CSA/FM Class I, II and III, Div. 1, Groups A, B, C, D, E, F, G, FCC, Industry Canada ²⁾ Non Sparking: NEPSI Ex nA IIC T4 Gc Intrinsically Safe: NEPSI Ex ia IIC T4 Ga, Ex iaD tD A20 IP67 T100 °C Flameproof: NEPSI Ex d ia mb IIC T4 Ga/Gb, Ex iaD tD A20 IP67 T100 °C ²⁾ Increased Safety: NEPSI Ex e ia mb IIC T4 Ga/Gb, Ex iaD tD A20 IP67 T100 °C ²⁾	A B C D E F G H K L M N	
Pressure rating Rating per Pressure/Temperature curves in instruction manual	0	
		Further designs Please add "-Z" to Article No. and specify Order code(s). Plug M12 with mating Connector ¹⁾²⁾³⁾ A50 Plug 7/8" with mating Connector ²⁾³⁾⁴⁾ A55 Stainless steel tag [69 x 50 mm (2.71 x 1.97 inch)]; Measuring-point number/identification (max. 27 characters); specify in plain text Y15 Manufacturer's test certificate: M to DIN 55350, Part 18 and to ISO 9000 C11 Material Inspection Certificate Type 3.1 per EN 10204 C12 Functional Safety (SIL 2). Device suitable for use in accordance with IEC 61508 and IEC 61511 ⁵⁾⁶⁾ C20 Namur NE43 compliant, device preset to failsafe < 3.6 mA ⁵⁾ N07
		Operating Instructions All literature is available to download for free, in a range of languages, at http://www.siemens.com/processinstrumentation/documentation
		Accessories Handheld programmer, Intrinsically safe, EEx ia 7ML1930-1BK HART modem/USB (for use with a PC and SIMATIC PDM) 7MF4997-1DB One metallic cable gland M20 x 1.5, rated -40 ... +80 °C (-40 ... +176 °F), HART (2 are required) ⁶⁾ 7ML1930-1AP One metallic cable gland M20 x 1.5, rated -40 ... +80 °C (-40 ... +176 °F), PROFIBUS PA and FOUNDATION Fieldbus (2 are required) ²⁾ 7ML1930-1AQ SITRANS RD100, loop powered display - see Chapter 7 7ML5741-.....- SITRANS RD150, remote digital display for 4 ... 20 mA and HART devices - see Chapter 7 7ML5742-.....- SITRANS RD200, universal input display with Modbus conversion - see Chapter 7 7ML5740-.....- SITRANS RD300, dual line display with totalizer and linearization curve and Modbus conversion - see Chapter 7 7ML5744-.....- For applicable back up point level switch - see point level measurement section
		1) Available with enclosure option 1 only. 2) Available with communication options 1 and 3 only. 3) Available with approval options A, B, C, and L only. 4) Available with enclosure option 0 only. 5) Applicable with communication option 2 only. 6) Available with approval options A, B, C, D, E, K, and L only.

1) Maximum range 10 m (32.8 ft), dk > 3 [20 m (66 ft)] and dk > 1.6 when mounted in stillpipe.
 2) Applicable with communication option 2 only.

Level measurement

Continuous level measurement
Radar level transmitters

SITRANS LR250 Flanged Encapsulated Antenna

Selection and ordering data

Article No.

Article No.

SITRANS LR250 flanged encapsulated Specials

SITRANS LR250 flanged encapsulated antenna version enclosures (PROFIBUS PA models)



SITRANS LR250 flanged encapsulated antenna version (7ML5432) enclosure with board stack, M20 cable inlet, approval option A, with PROFIBUS PA communication, no process connection

A5E32462853

SITRANS LR250 flanged encapsulated antenna version (7ML5432) enclosure with board stack, NPT cable inlet, approval option A, with PROFIBUS PA communication, no process connection

A5E32462854

SITRANS LR250 flanged encapsulated antenna version (7ML5432) enclosure with board stack, NPT cable inlet, approval option B, with PROFIBUS PA communication, no process connection

A5E32462855

SITRANS LR250 flanged encapsulated antenna version (7ML5432) enclosure with board stack, M20 cable inlet, approval option C, with PROFIBUS PA communication, no process connection

A5E32462856

SITRANS LR250 flanged encapsulated antenna version (7ML5432) enclosure with board stack, NPT cable inlet, approval option D, with PROFIBUS PA communication, no process connection

A5E32462857

SITRANS LR250 flanged encapsulated antenna version (7ML5432) enclosure with board stack, M20 cable inlet, approval option E, with PROFIBUS PA communication, no process connection

A5E32462858

SITRANS LR250 flanged encapsulated antenna version enclosures (FOUNDATION Fieldbus models)



SITRANS LR250 flanged encapsulated antenna version (7ML5432) enclosure with board stack, M20 cable inlet, approval option A, with FOUNDATION Fieldbus communication, no process connection

A5E32462859

SITRANS LR250 flanged encapsulated antenna version (7ML5432) enclosure with board stack, NPT cable inlet, approval option A, with FOUNDATION Fieldbus communication, no process connection

A5E32462860

SITRANS LR250 flanged encapsulated antenna version (7ML5432) enclosure with board stack, NPT cable inlet, approval option B, with FOUNDATION Fieldbus communication, no process connection

A5E32462861

SITRANS LR250 flanged encapsulated antenna version (7ML5432) enclosure with board stack, M20 cable inlet, approval option C, with FOUNDATION Fieldbus communication, no process connection

A5E32462862

SITRANS LR250 flanged encapsulated antenna version (7ML5432) enclosure with board stack, NPT cable inlet, approval option D, with FOUNDATION Fieldbus communication, no process connection

A5E32462863

SITRANS LR250 flanged encapsulated antenna version (7ML5432) enclosure with board stack, M20 cable inlet, approval option E, with FOUNDATION Fieldbus communication, no process connection

A5E32462864

SITRANS LR250 flanged encapsulated antenna version enclosures (< 3.6 mA start-up HART models)



SITRANS LR250 flanged encapsulated antenna version (7ML5432) enclosure with board stack, M20 cable inlet, approval option A, with HART communication start-up at < 3.6 mA, no process connection

A5E32462865

SITRANS LR250 flanged encapsulated antenna version (7ML5432) enclosure with board stack, NPT cable inlet, approval option A, with HART communication start-up at < 3.6 mA, no process connection

A5E32462866

SITRANS LR250 flanged encapsulated antenna version (7ML5432) enclosure with board stack, NPT cable inlet, approval option B, with HART communication start-up at < 3.6 mA, no process connection

A5E32462867

SITRANS LR250 flanged encapsulated antenna version (7ML5432) enclosure with board stack, M20 cable inlet, approval option C, with HART communication start-up at < 3.6 mA, no process connection

A5E32462868

SITRANS LR250 flanged encapsulated antenna version (7ML5432) enclosure with board stack, NPT cable inlet, approval option D, with HART communication start-up at < 3.6 mA, no process connection

A5E32462869

SITRANS LR250 flanged encapsulated antenna version (7ML5432) enclosure with board stack, M20 cable inlet, approval option E, with HART communication start-up at < 3.6 mA, no process connection

A5E32462830

SITRANS LR250 flanged encapsulated antenna version (7ML5432) enclosure with board stack, M20 cable inlet, approval option F, with HART communication start-up at < 3.6 mA, no process connection

A5E32462831

SITRANS LR250 flanged encapsulated antenna version (7ML5432) enclosure with board stack, M20 cable inlet, approval option G, with HART communication start-up at < 3.6 mA, no process connection

A5E32462832

SITRANS LR250 flanged encapsulated antenna version (7ML5432) enclosure with board stack, NPT cable inlet, approval option H, with HART communication start-up at < 3.6 mA, no process connection

A5E32462833

Selection and ordering data	Article No.
SITRANS LR250 flanged encapsulated antenna lens kits	
Replacement TFM 1600 Lens and Spring Washer Kit for 2 inch Class 150 ASME B16.5 raised faced	A5E32462817
Replacement TFM 1600 Lens and Spring Washer Kit for 3 inch Class 150 ASME B16.5 raised faced	A5E32462819
Replacement TFM 1600 Lens and Spring Washer Kit for 4 inch Class 150 ASME B16.5 raised faced	A5E32462820
Replacement TFM 1600 Lens and Spring Washer Kit for 6 inch Class 150 ASME B16.5 raised faced	A5E32462821
Replacement TFM 1600 Lens and Spring Washer Kit for 50A 10K JIS B 2220 raised Face	A5E32462822
Replacement TFM 1600 Lens and Spring Washer Kit for 80A 10K JIS B 2220 raised Face	A5E32462823
Replacement TFM 1600 Lens and Spring Washer Kit for 100A 10K JIS B 2220 raised Face	A5E32462824
Replacement TFM 1600 Lens and Spring Washer Kit for 150A 10K JIS B 2220 raised Face	A5E32462825
Replacement TFM 1600 Lens and Spring Washer Kit for DN50 PN10/16 EN 1092-1 type B1 raised face	A5E32462826
Replacement TFM 1600 Lens and Spring Washer Kit for DN80 PN10/16 EN 1092-1 type B1 raised face	A5E32462827
Replacement TFM 1600 Lens and Spring Washer Kit for DN100 PN10/16 EN 1092-1 type B1 raised face	A5E32462828
Replacement TFM 1600 Lens and Spring Washer Kit for DN150 PN10/16 EN 1092-1 type B1 raised face	A5E32462829
Ex-proof plugs	
Ex-proof plugs kit, 1/2" NPT, qty 5	A5E39979991
Ex-proof plugs kit, M20, qty 5	A5E39979992

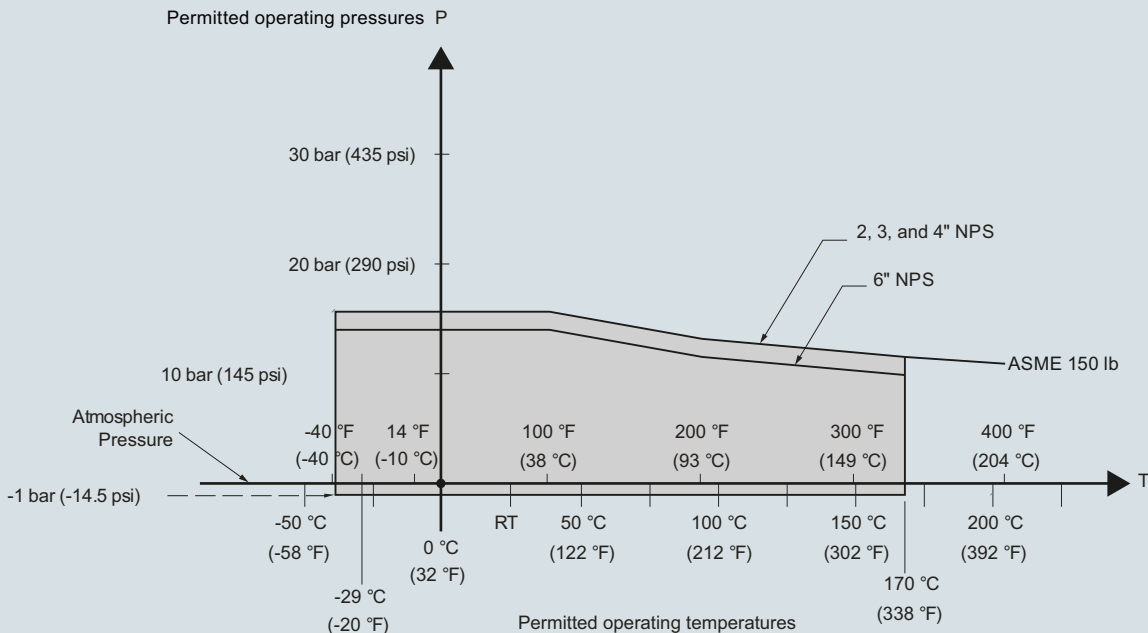
Level measurement

Continuous level measurement
Radar level transmitters

SITRANS LR250 Flanged Encapsulated Antenna

Characteristic curves

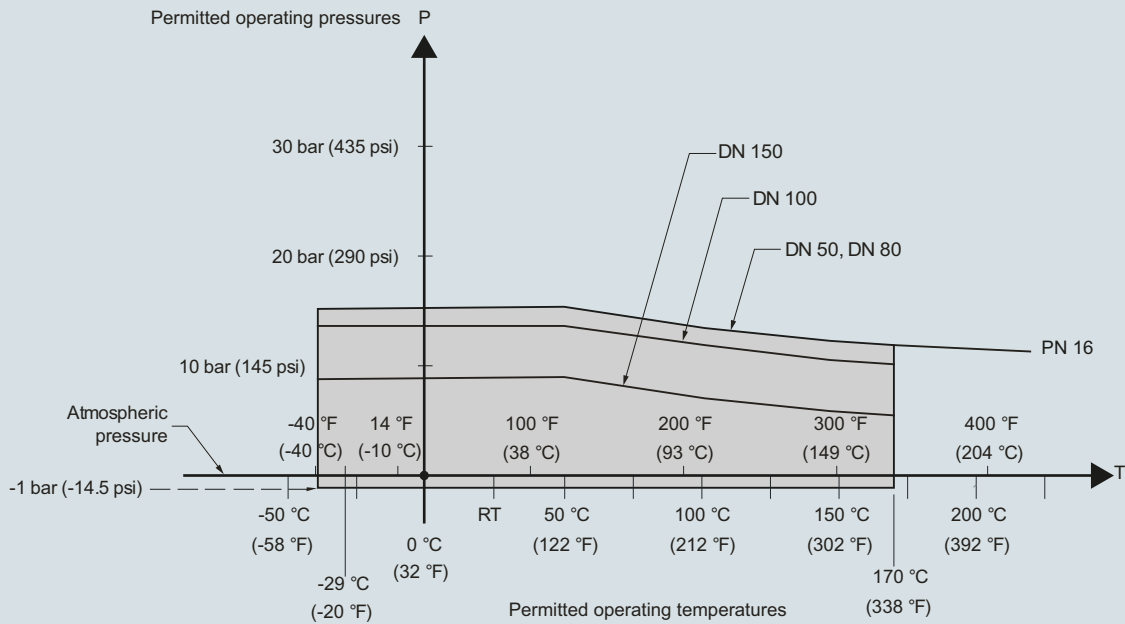
Pressure/ temperature curve
LR250 Flanged Encapsulated Antenna
ASME flanged process connections
(7ML5432)



SITRANS LR250 Flanged Encapsulated Antenna pressure/temperature curve

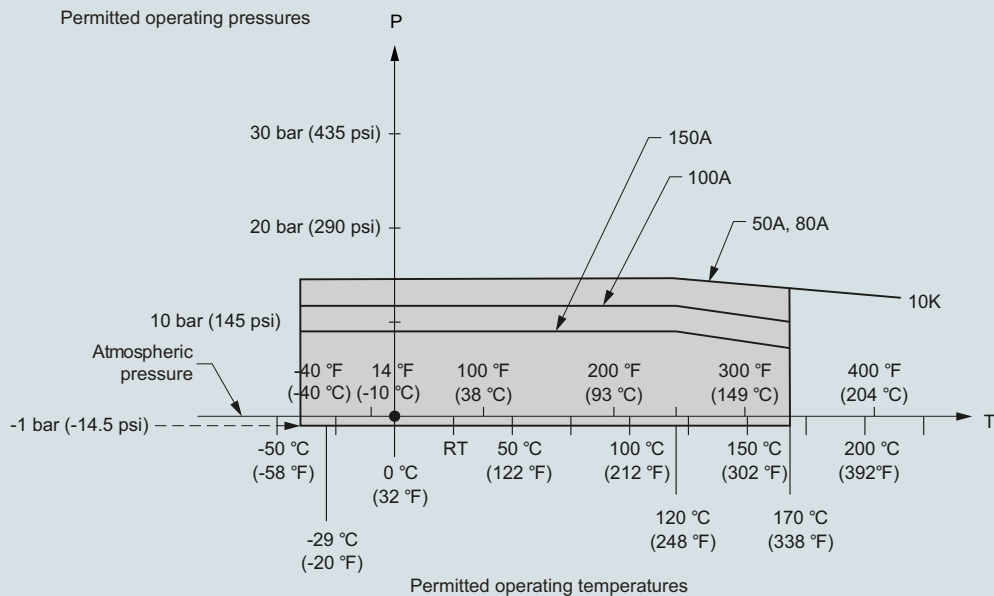
Characteristic curves (continued)

Pressure/ temperature curve
LR250 Flanged Encapsulated Antenna
EN 1092-1 flanged process connections
(7ML5432)



SITRANS LR250 Flanged Encapsulated Antenna pressure/temperature curve

Pressure/ temperature curve
LR250 Flanged Encapsulated Antenna
JIS B 2220 flanged process connections
(7ML5432)



SITRANS LR250 Flanged Encapsulated Antenna pressure/temperature curve

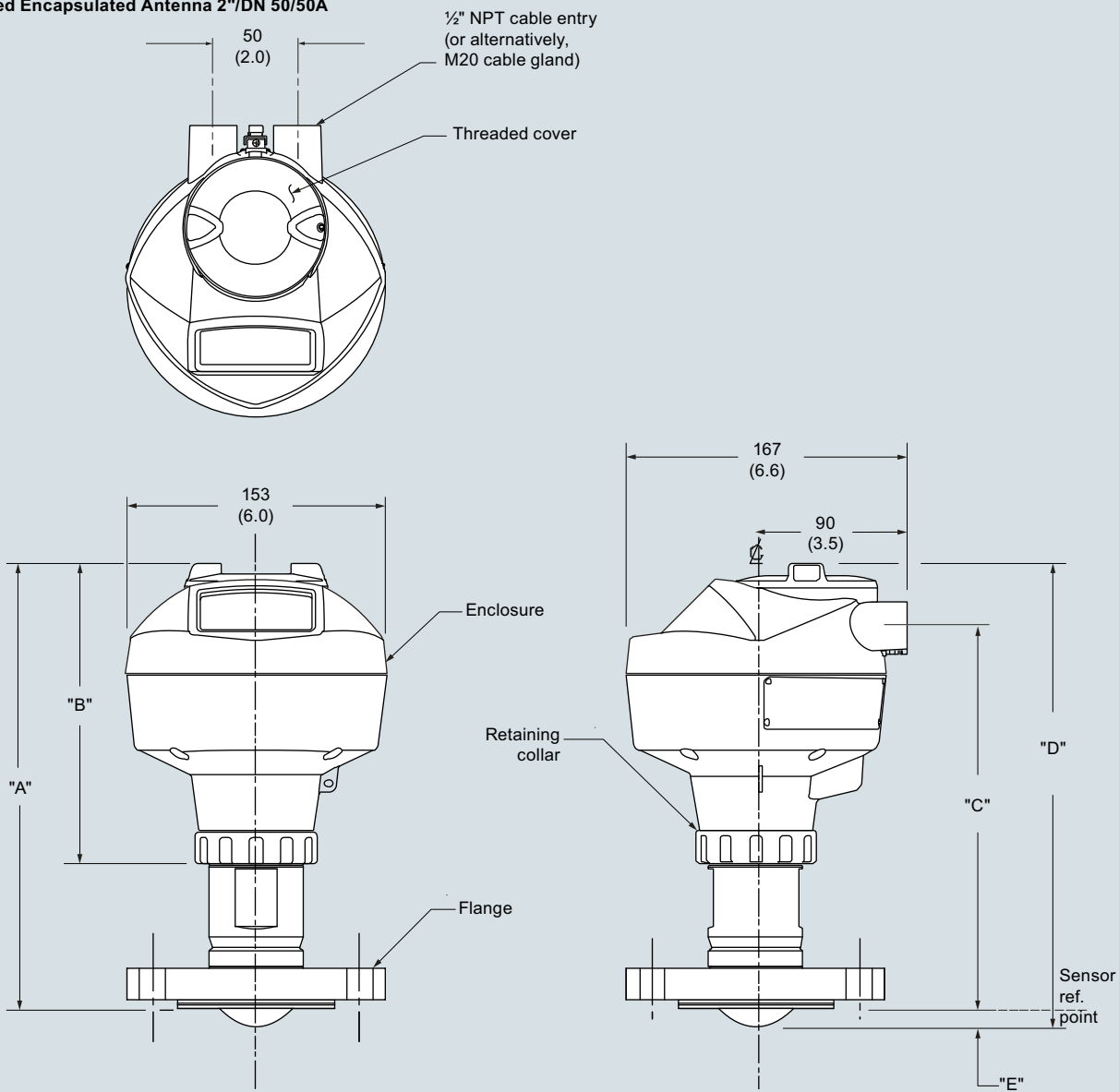
Level measurement

Continuous level measurement
Radar level transmitters

SITRANS LR250 Flanged Encapsulated Antenna

Dimensional drawings

Flanged Encapsulated Antenna 2"/DN 50/50A



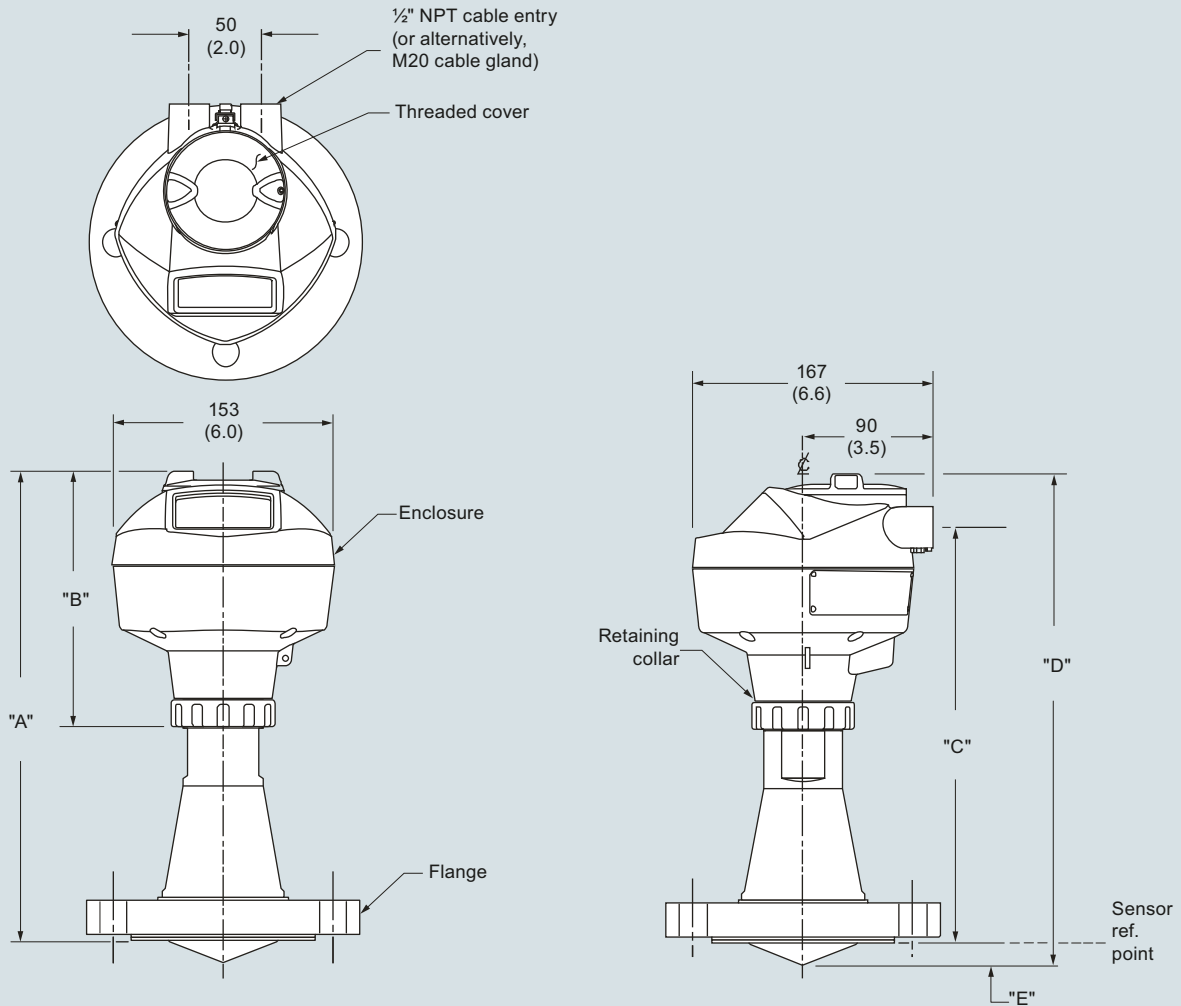
Flange Size	Flange Class	Flange O.D.	Antenna aperture size	Height to Sensor reference point dimension E ¹⁾	Beam angle	Measurement Range	Dimension A	Dimension B	Dimension C	Dimension D
2"	150 lb	152 (5.98)	50 (1.97)	11 (0.43)	12.8°	10 m (32.8 ft)	263 (10.35)	178 (7)	223 (8.78)	274 (10.79)
DN 50	PN 10/16	165 (6.50)								
50A	10K	155 (6.10)								

¹⁾ Height from tip of lens to sensor reference point as shown.

SITRANS LR250 Flanged Encapsulated Antenna, dimensions in mm (inch)

Dimensional drawings (continued)

Flanged Encapsulated Antenna 3"/DN 50/80A or greater



Flange Size	Flange Class	Flange O.D.	Antenna aperture size	Height to Sensor reference point dimension E ¹⁾	Beam angle	Measurement Range	Dimension A	Dimension B	Dimension C	Dimension D
3"	150 lb	190 (7.48)	75 (2.95)	15 (0.59)	9.6°	20 m (65.6 ft)	328 (12.91)	178 (7)	288 (11.34)	343 (13.54)
DN 80	PN 10/16	200 (7.87)								
80A	10K	185 (7.28)								
4"	150 lb	230 (9.06)	75 (2.95)	13 (0.51)	9.6°	20 m (65.6 ft)	328 (12.91)	178 (7)	288 (11.34)	343 (13.50)
DN 100	PN 10/16	220 (8.66)								
100A	10K	210 (8.27)								
6"	150 lb	280 (11.02)	75 (2.95)	15 (0.59)	9.6°	20 m (65.6 ft)	333 (13.11)	178 (7)	293 (11.54)	348 (13.70)
DN 150	PN 10/16	285 (11.25)								
150A	10K	280 (11.02)								

¹⁾ Height from tip of lens to sensor reference point as shown.

SITRANS LR250 Flanged Encapsulated Antenna, dimensions in mm (inch)

Level measurement

Continuous level measurement
Radar level transmitters

SITRANS LR250 Flanged Encapsulated Antenna

Circuit diagrams

4

Connect the wires to the terminals as shown: the polarity is identified on the terminal block.

Gland may or may not be provided depending on approval option.

Shield for HART, PROFIBUS PA, and FOUNDATION Fieldbus Intrinsically Safe versions only.

Hand Programmer

SIEMENS			
1	2	3	4
5	6	7	8
9	0	.	+
C	⏪	⏩	⏴
←	↑	↓	→

Part number:
7ML1930-1BK

Notes:

1. DC terminal shall be supplied from a source providing electrical isolation between the input and output, to meet the applicable safety requirements of IEC 61010-1.
2. All field wiring must have insulation suitable for rated input voltages.
3. Use shielded twisted pair cable (14 ... 22 AWG) for HART version.
4. Separate cables and conduit may be required to conform to standard instrumentation wiring practices or electrical codes.

SITRANS LR250 connections