

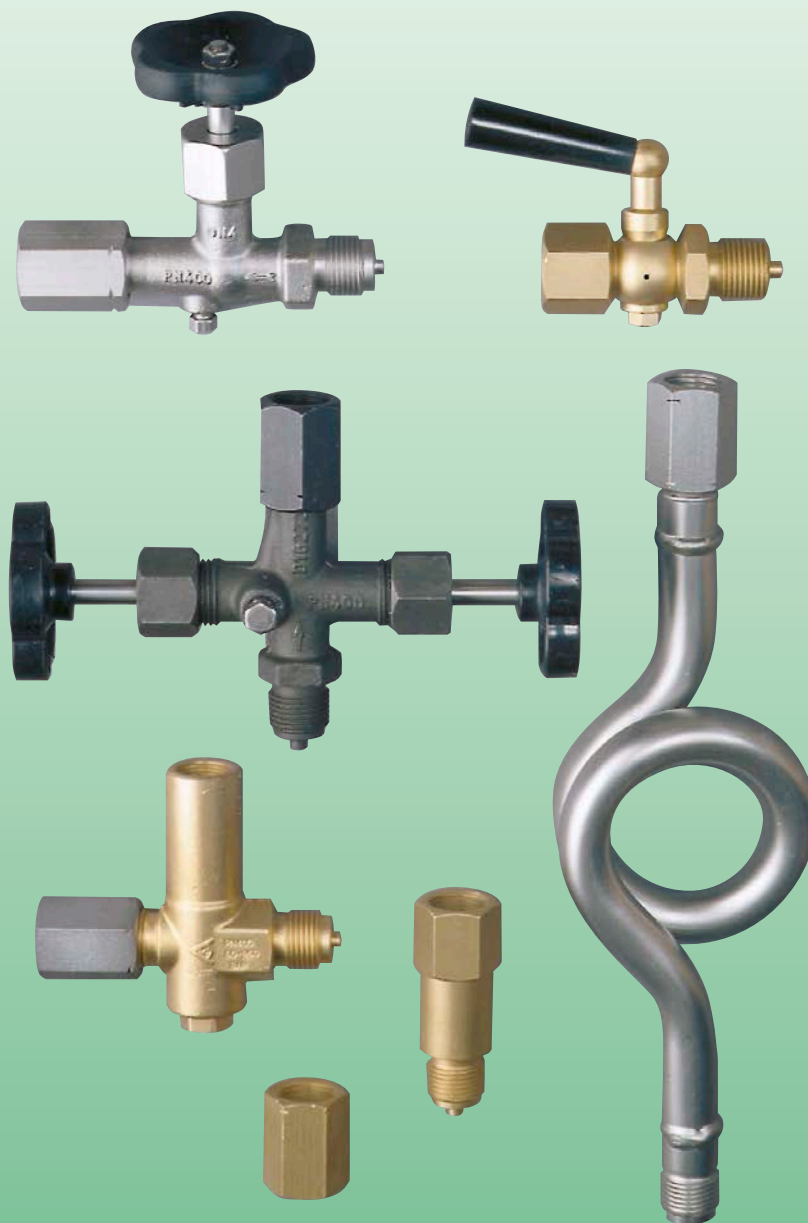


Accessories for Pressure Gauges



measuring
•
monitoring
•
analysing

MZB



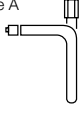
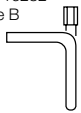
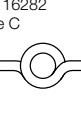
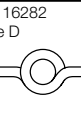
P1

KOBOLD companies worldwide:




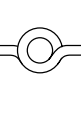
ARGENTINA, AUSTRALIA, AUSTRIA, BELGIUM, BULGARIA, CANADA, CHILE, CHINA, COLOMBIA, CZECHIA, EGYPT, FRANCE, GERMANY, GREAT BRITAIN, HUNGARY, INDIA, INDONESIA, ITALY, MALAYSIA, MEXICO, NETHERLANDS, PERU, POLAND, REPUBLIC OF KOREA, ROMANIA, SINGAPORE, SPAIN, SWITZERLAND, TAIWAN, THAILAND, TUNISIA, TURKEY, USA, VIETNAM

KOBOLD Messring GmbH
Nordring 22-24
D-65719 Hofheim/Ts.
Head Office:
+49(0)6192 299-0
+49(0)6192 23398
info.de@kobold.com
www.kobold.com

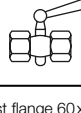
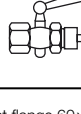

Syphons Model: MZB-705/...

Type	Connection Inlet	Connection Outlet	Operating pressure	Material	Code
DIN 16282 Type A 	G 1/2 male	connector G 1/2	100 bar	steel	7078
	G 1/2 male	connector G 1/2	100 bar	st. steel 1.4571	7077
DIN 16282 Type B 	Weld-on nipple	connector G 1/2	100 bar	steel	7239
	Weld-on nipple	connector G 1/2	100 bar	st. steel 1.4571	7240
DIN 16282 Type C 	G 1/2 male	connector G 1/2	100 bar	steel	7076
	G 1/2 male	connector G 1/2	100 bar	st. steel 1.4571	7075
DIN 16282 Type D 	Weld-on nipple	connector G 1/2	100 bar	steel	7241
	Weld-on nipple	connector G 1/2	100 bar	st. steel 1.4571	7242

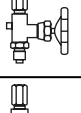
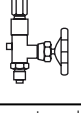
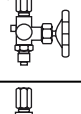
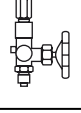
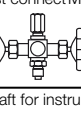
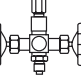
Syphons pertaining to commercial customs Model: MZB-705/...

Type	Connection 1	Connection 2	Operating pressure	Material	Code
U-Type 	G 1/2 male	G 1/2 male	25 bar	steel	7243
	G 1/2 male	G 1/2 male	25 bar	st. steel 1.4571	7244
	G 1/2 male	connector G 1/2	25 bar	steel	7031
	G 1/2 male	connector G 1/2	25 bar	st. steel 1.4571	7249
Pig-tail type 	G 1/2 male	G 1/2 male	25 bar	steel	7245
	G 1/2 male	G 1/2 male	25 bar	st. steel 1.4571	7246
U-Type 	Weld-on nipple	Weld-on nipple	25 bar	steel	7033
	Weld-on nipple	Weld-on nipple	25 bar	st. steel 1.4571	7247
Pig-tail type 	Weld-on nipple	Weld-on nipple	25 bar	steel	7032
	Weld-on nipple	Weld-on nipple	25 bar	st. steel 1.4571	7248

Shut-off cocks Model: MZB-703/...



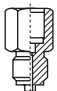
Type	Connection	Nom. pressure	Material	Code
Female-female DIN 16261A 	G 1/2 female	16 bar	brass	7012
	G 1/2 female	25 bar	brass	7013
	G 1/2 female	16 bar	brass	7014
with test flange 60x25x10	G 1/2 female	25 bar	brass	7015
with test flange and gland	G 1/2 female	25 bar	brass	7016
Female-female DIN 16261B 	G 1/2 female/male	16 bar	brass	7017
	G 1/2 female/male	25 bar	brass	7018
	G 1/2 female/male	25 bar	st. steel	7147
with test flange 60x25x10	G 1/2 female/male	25 bar	brass	7019
with test flange and gland	G 1/2 female/male	25 bar	brass	7020
Male-female DIN 16262 	G 1/2 female/male	25 bar	brass	7021
	G 1/2 female/male	25 bar	steel	7179
	G 1/2 female/male	25 bar	st. steel	7059
with flange 60x25x10 DIN 16263	G 1/2 female/male	25 bar	brass	7060

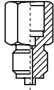
Valves to DIN 16270-16272 Model: MZB-704/...

Type	Connection	Nom. pressure	Material	Code
Swiveling nut - male DIN 16270 with venting Type A 	G 1/2 fem./male	250 bar	brass	7022
	G 1/2 fem./male	400 bar	steel	7023
	G 1/2 fem./male	400 bar	st. steel 1.4571	7024
	G 1/2 fem./male	400 bar	st. steel 1.4571	7025
Type B 	G 1/2 fem./male	250 bar	brass	7100
	G 1/2 fem./male	400 bar	steel	7101
	G 1/2 fem./male	400 bar	st. steel 1.4571	7102
Swiveling nut - male DIN 16271 with test connection M20x1,5 and vent Type A 	G 1/2 fem./male	250 bar	brass	7103
	G 1/2 fem./male	400 bar	steel	7104
	G 1/2 fem./male	400 bar	st. steel 1.4571	7105
Type B 	G 1/2 fem./male	250 bar	brass	7106
	G 1/2 fem./male	400 bar	steel	7107
	G 1/2 fem./male	400 bar	st. steel 1.4571	7108
Shut-off valve with separate shut-off test connection DIN 16272 and test connect M20x1.5 Type A 	G 1/2 fem./male	250 bar	brass	7152
	G 1/2 fem./male	400 bar	steel	7153
	G 1/2 fem./male	400 bar	st. steel 1.4571	7154
with shaft for instrument holder Type B 	G 1/2 fem./male	250 bar	brass	7155
	G 1/2 fem./male	400 bar	steel	7156
	G 1/2 fem./male	400 bar	st. steel 1.4571	7157



Adaptors Model: MZB-712/...

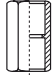
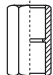
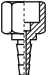


Type	Connection	Material	Code	
Union nut DIN 16284 	G 1/4 female	brass	7528	
	G 1/2 female	brass	7028	
	G 3/4 female	steel	7029	
	G 1 female	st. steel	7073	
Soldering connection DIN 16284 	for union nut G 1/4	brass	7530	
	for union nut G 1/2	brass	7030	
		steel	7031	
st. steel	7074			
Type	Connection 1	Connection 2	Material	Code
Adaptor female-male 	G 1/8 female	G 1/4 male	brass	7267
	G 1/8 female	G 1/2 male	brass	7049
	G 1/8 female	G 3/4 male	st. steel	7134
	G 1/8 female	G 1 male	st. steel	7135
	1/8" NPT female	1/4" NPT male	st. steel	7112
	1/8" NPT female	3/8" NPT male	st. steel	7114
	G 1/4 female	1/4" NPT male	brass	7033
	G 1/4 female	1/2" NPT male	brass	7039
	G 1/4 female	3/4" NPT male	brass	7075
	G 1/4 female	M10x1 male	brass	7052
	G 1/4 female	M12x1.5 male	brass	7269
	G 1/4 female	M14x1.5 male	brass	7105
	G 1/4 female	M16x1.5 male	brass	7053
	G 1/4 female	M20x1.5 male	brass	7054
	G 1/4 female	G 1/8 male	brass	7268
	G 1/4 female	G 1/4 male	brass	7055
	G 1/4 female	G 3/8 male	brass	7270
	G 1/4 female	G 1/2 male	brass	7109
	G 1/4 female	G 3/4 male	brass	7076
	G 1/4 female	1/4" NPT male	st. steel	7034
	G 1/4 female	1/2" NPT male	st. steel	7046
	G 1/4 female	3/4" NPT male	st. steel	7077
	G 1/4 female	M10x1 male	st. steel	7057
	G 1/4 female	M12x1.5 male	st. steel	7058
	G 1/4 female	M14x1.5 male	st. steel	7075
	G 1/4 female	M16x1.5 male	st. steel	7059
	G 1/4 female	M20x1.5 male	st. steel	7060
	G 1/4 female	G 1/8 male	st. steel	7061
	G 1/4 female	G 1/4 male	st. steel	7032
	G 1/4 female	G 3/8 male	st. steel	7204
	G 1/4 female	G 1/2 male	st. steel	7044
	G 1/4 female	G 3/4 male	st. steel	7062
	1/4" NPT female	G 1/2 male	st. steel	7051
	1/4" NPT female	3/8" NPT male	st. steel	7115
1/4" NPT female	1/2" NPT male	st. steel	7113	
G 3/8 female	G 1/4 male	brass	7271	
G 3/8 female	G 1/2 male	brass	7272	


Type	Connection 1	Connection 2	Material	Code
A1: female A2: male 	G 1/2 female	1/4" NPT male	brass	7063
	G 1/2 female	1/2" NPT male	brass	7035
	G 1/2 female	3/4" NPT male	brass	7078
	G 1/2 female	M10x1 male	brass	7098
	G 1/2 female	M12x1.5 male	brass	7274
	G 1/2 female	M16x1.5 male	brass	7048
	G 1/2 female	M20x1.5 male	brass	7043
	G 1/2 female	G 1/8 male	brass	7064
	G 1/2 female	G 1/4 male	brass	7110
	G 1/2 female	G 3/8 male	brass	7111
	G 1/2 female	G 1/2 male	brass	7277
	G 1/2 female	G 3/4 male	brass	7273
	G 1/2 female	G 1 male	brass	7104
	G 1/2 female	1/4" NPT male	st. steel	7037
	G 1/2 female	3/8" NPT male	st. steel	7041
	G 1/2 female	1/2" NPT male	st. steel	7036
	G 1/2 female	3/4" NPT male	st. steel	7079
	G 1/2 female	7/16 UNF male	st. steel	7042
	G 1/2 female	M10x1 male	st. steel	7097
	G 1/2 female	M12x1.5 male	st. steel	7065
	G 1/2 female	M14x1.5 male	st. steel	7317
	G 1/2 female	M16x1.5 male	st. steel	7066
	G 1/2 female	M20x1.5 male	st. steel	7050
	G 1/2 female	G 1/8 male	st. steel	7067
	G 1/2 female	G 1/4 male	st. steel	7140
	G 1/2 female	G 3/8 male	st. steel	7205
	G 1/2 female	G 1/2 male	st. steel	7045
	G 1/2 female	G 3/4 male	st. steel	7047
	G 1/2 female	G 1 male	st. steel	7040
	1/2" NPT female	3/4" NPT male	st. steel	7116
	1/2" NPT female	1" NPT male	st. steel	7117
	G 1/2 female	G 3/4 male	steel	7316
	G 3/4 female	G 1/4 male	brass	7311
	G 3/4 female	G 1/2 male	brass	7276
G 1 female	G 1/2 male	st. steel	7038	
G 1 1/4 female	G 1/2 male	st. steel	7072	
M20x1,5 female	G 1/2 male	brass	7275	
M20x1,5 female	G 1/2 male	st. steel	7307	
Self-sealing connecting nipple	G 1/4 female	G 3/8 male	brass	7125

Adaptors for diaphragm seals DRM-600

DRM- female- male	G 3/4 female	G 1/2 male	st. steel	7118
	G 1 female	G 1/2 male	st. steel	7119
	G 1 1/4 female	G 1/2 male	st. steel	7120

Adaptor Model: MZB-712/...

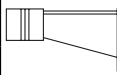
Type	Connection 1	Connection 2	Material	Code
Female-female 2 x G right thread 	G ¼ female	G ¼ female	brass	7131
	G ¼ female	G ¼ female	steel	7132
	G ¼ female	G ¼ female	st. steel	7133
	G ½ female	G ½ female	brass	7094
	G ½ female	M20x1.5 female	brass	7126
	G ½ female	G ½ female	steel	7095
	G ½ female	M20x1.5 female	steel	7093
	G ½ female	G ½ female	st. steel	7096
Span female DIN 16283 right / left thread 	G ½ female	G ½ female LH	brass	7278
	G ½ female	G ½ female LH	steel	7279
	G ½ female	G ½ female LH	st. steel	7280
	G ½ female	M20x1.5 female LH	brass	7313
M20x1.5 female	G ½ female LH	st. steel	7314	
Type	Connection 1	Pipe	Material	Code
Hose coupling with union nut 	G ¼ female	6 mm	brass	7087
	G ½ female	6 mm	brass	7088
	G ¼ female	6 mm	st. steel	7089
	G ½ female	6 mm	st. steel	7090
Hose coupling with male thread 	G ¼ male	6 mm	brass	7178
	G ½ male	6 mm	brass	7069
Pneumatic hose connection	G ¼ female	pipe 6x4	st. steel	7101
	G ¼ female	pipe 8x6	st. steel	7102
	G ¼ female	pipe 10x8	brass	7103
	G ½ female	pipe 6x4	brass	7106
	G ½ female	pipe 8x6	brass	7107
	G ½ female	pipe 10x8	brass	7108
Type	Connection 1	Nom. pressure Tube Ø	Material	Code
Connection with compression ring 	G ¼ female	600 bar/6 mm	st. steel	7080
	G ¼ female	600 bar/8 mm	st. steel	7091
	G ¼ female	600 bar/10 mm	st. steel	7092
	G ¼ female	600 bar/12 mm	st. steel	7099
	G ½ female	600 bar/4 mm	steel	7100
	G ½ female	600 bar/6 mm	steel	7081
	G ½ female	600 bar/6 mm	st. steel	7082
	G ½ female	600 bar/8 mm	steel	7083

Type	Connection	Nom. pressure Tube Ø	Material	Code
Connection with compression ring 	G ½ female	600 bar/8 mm	st. steel	7084
	G ½ female	600 bar/10 mm	steel	7085
	G ½ female	600 bar/10 mm	st. steel	7086
	G ½ female	600 bar/12 mm	steel	7266
	G ½ female	600 bar/12 mm	st. steel	7281
	G ¼ male	600 bar/6 mm	st. steel	7070
	G ½ male	600 bar/6 mm	st. steel	7071
	Type	Connection 1	Connection 2	Material
Male-male	G ¼ male	G ¼ male	brass	7128
	G ¼ male	G ¼ male	steel	7129
	G ¼ male	G ¼ male	st. steel	7130
	G ½ male	G ½ male	brass	7305
	G ½ male	G ½ male	steel	7304
	G ½ male	G ½ male	st. steel	7068
Tube double nipple Ø 33,8 mm s = 2,8 mm	2 x G 1 male	L = 60 mm	st. steel	7138
	2 x G 1 male	L = 80 mm	st. steel	7139
Tube welded nipple s = 2,4 mm L = 60 mm	G ¾ male	Ø 26,9 mm	st. steel	7136
Tube welded nipple s = 2,8 mm L = 60 mm	G 1 male	Ø 33,8 mm	st. steel	7137

Adaptors for syphons

Male	G ½ male	Ø 14,7 mm	steel	7122
	G ½ male	Ø 14,7 mm	st. steel	7124
Male LH	G ½ male LH	Ø 14,7 mm	steel	7121
	G ½ male LH	Ø 14,7 mm	st. steel	7123

Instrument holder Model: MZB-709/...

Type	Length	Material	Code
DIN 16286 	60 mm	aluminium	7034
	100 mm	aluminium	7035
	160 mm	aluminium	7071
	60 mm	st. steel	7132
	100 mm	st. steel	7133
	160 mm	st. steel	7134

Valve adaptor R DIN 16281 Model: MZB-708/...

Type	Connection	Material	Code
	G 1/2 female/male	brass	7036
	G 1/2 female/male	steel	7037
	G 1/2 female/male	st. steel	7038

Throttle, adjustable Model: MZB-706/...

Type	Connection	PN [bar]	Material	Code
	G 1/4 female/male	250	brass	7072
	G 1/2 female/male	250	brass	7025
	G 1/2 female/male	600	steel	7026
	G 1/2 female/male	600	st. steel	7027

Pressure impact damper DSD Model: MZB-706/...

Type	Connection	Nom. pressure	Material	Code
	G 1/4 female/male	315	brass	7001
	G 1/4 female/male	1000	st. steel	7002
	G 1/2 female/male	250	brass	7003
	G 1/2 female/male	1000	st. steel	7004

Capillary throttle for damping Model: MZB-706/...

Type	Connection	Length	Material	Code
Capillary soldered into adaptor 	G 1/2 female/male	0.25 m	Ms/Cu	7079
	G 1/2 female/male	0.50 m	Ms/Cu	7080
	G 1/2 female/male	0.75 m	Ms/Cu	7165
	G 1/2 female/male	0.25 m	Ms/Cu	7064
	G 1/2 female/male	0.50 m	Ms/Cu	7065
	G 1/2 female/male	0.75 m	Ms/Cu	7066
	G 1/2 female/male	1.00 m	Ms/Cu	7067
Filter	-	-	Cu-Leg.	7097

Protection cap Model: MZB-707/...

Type			NG	Code
	-	-	63	7148
	-	-	100	7149

Seals Model: MZB-713/...

Type	for thread	Material	Code
Flat seal DIN 16258 	G 1/4	Cu	7061
	G 1/4	IT	7043
	G 1/4	PTFE	7042
	G 1/2	Cu	7040
	G 1/2	IT	7041
	G 1/2	PTFE	7039
Pressure gauge seal	G 1/4	Cu	7098
	G 1/2	Cu	7062

**Overpressure protection equipment (adjustable)
Model: MZB-714/...**

Type	Range of adjustment in bar	Valve body brass, piston st. steel 1.4301 Code	Valve body st. steel, piston st. steel 1.4301 Code
	0.4 - 2.5	7115	7121
	2 - 6	7116	7122
	5 - 25	7117	7123
	20 - 60	7118	7124
	50 - 250	7119	7125
	240 - 400	7120	7126

Accessories/repair Model: MZB-725/...

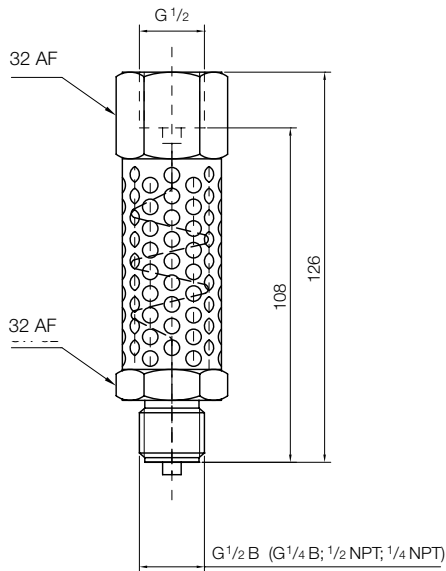
Description	Version	Code
Contact key for adjustment	PA 6	KVS1
Replacement glass for st. steel housing NG 100 mm	Mineral glass	0100
Replacement glass for st. steel housing NG 160 mm	Mineral glass	0160
100 mm glass with contact pivot	PC	K100
160 mm glass with contact pivot	PC	K160
Glycerine	1 l bottle	0G10
Paraffin oil	1 l bottle	0P10
Silicone oil	1 l bottle	0S10

**Power supply for the top hat rail mounting
Model: MZB-NSF 030**

Input:	230 V _{AC}
Output:	24 V _{DC} / 500 mA, short-circuit-proof
Screw terminals	

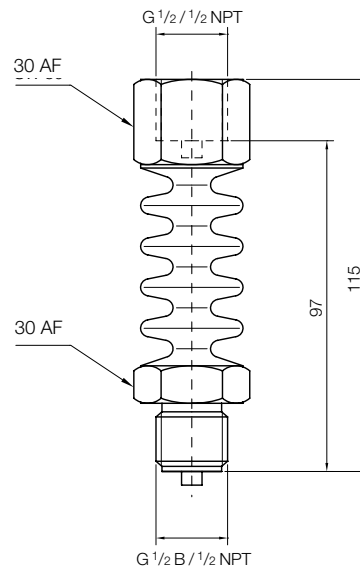
Multipart Design

- Very good cooling effect
- Perforated sheet body transmits little heat
- $t_{max} = 450^{\circ}\text{C}$
- PN 600 (temperature-dependent)
- All parts are made of 1.4571 stainless steel
- Pressure transmission with a capillary line (inner \varnothing 1.0 mm), that in addition balances out the pulsation of the measured pressure
- Also for direct mounting of diaphragm seals ($t_{max} = 350^{\circ}\text{C}$)

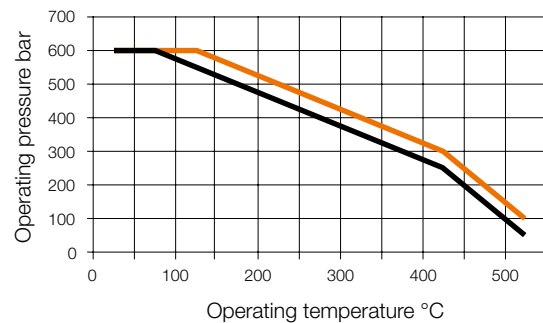
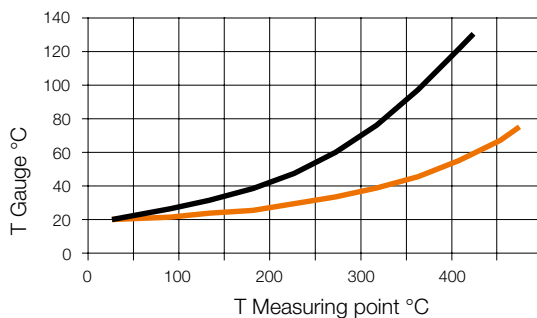


One-part Design

- Good cooling effect
- Optimum ration of surface to geometry
- $t_{max} = 300^{\circ}\text{C}$
- PN 600 (temperature-dependent)
- Body made of 1.4571 stainless steel
- Pressure transmission with tube diameter (inner \varnothing 3.5 mm), thus no change in reaction time
- Cheaper version
- For use with high viscosity media



Temperature drift (guide value for cooling effect) and range of use (rated pressure)



■ MZB-711.7221 to MZB-711.7224 = multipart design
■ MZB-711.7225 and MZB-711.7226 = one-part design

Order Details

Model	Connection measuring device	Process connection
MZB-711.7221	G 1/2 female	G 1/4 male
MZB-711.7222	G 1/2 female	G 1/2 male
MZB-711.7223	G 1/2 female	1/4" NPT male
MZB-711.7224	G 1/2 female	1/2" NPT male

Model	Connection measuring device	Process connection
MZB-711.7225	G 1/2 female	G 1/2 male
MZB-711.7226	1/2" NPT female	1/2" NPT male

Other connections upon request.