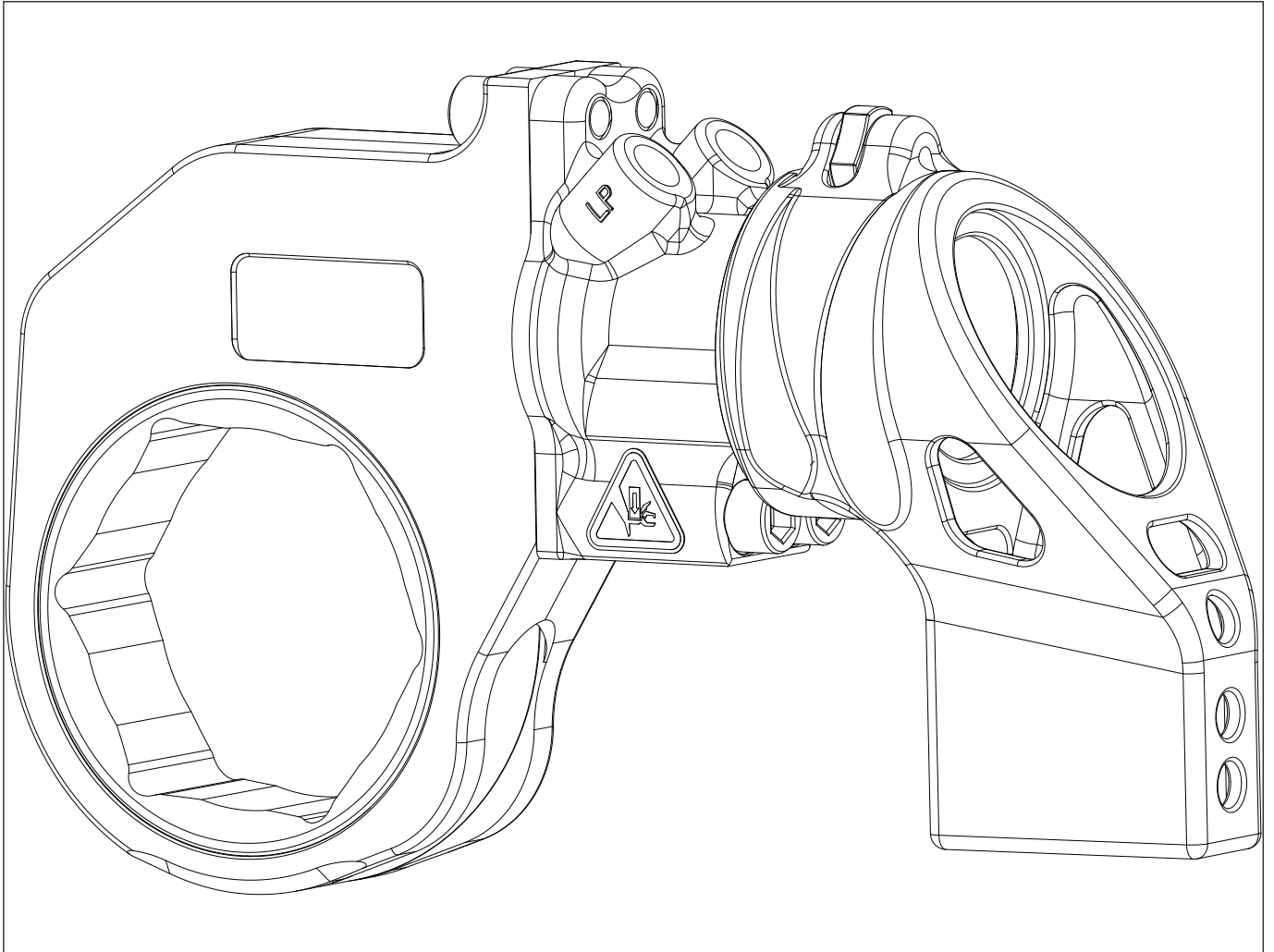


为保证保修的有效性，请只使用 ENERPAC 液压油。
Enerpac 建议：安装所有成套扳手组件，以确保维修产品的最优性能。



目录:	页码
图 1 - 表 1, RSL 扭矩扳手驱动头总成	2-5
图 2 - 表 2a, RSL 六角施力头总成.	6-7
表 2b - RSL 六角插件编号.	8-11
图 3 - 表 3, RSL 方驱扳手施力头总成	12-13
图 4 - 表 4, RSL 反作用力臂总成	14-15
图 5 - 表 5, RSL 扭矩扳手驱动头密封套件	16-17
表 6, 备用套件, 工具附件和选项.	18-20

注：以下事项可参阅“说明表”：

- 检验、润滑和维护说明。
- 选定紧固件的扭矩规格。

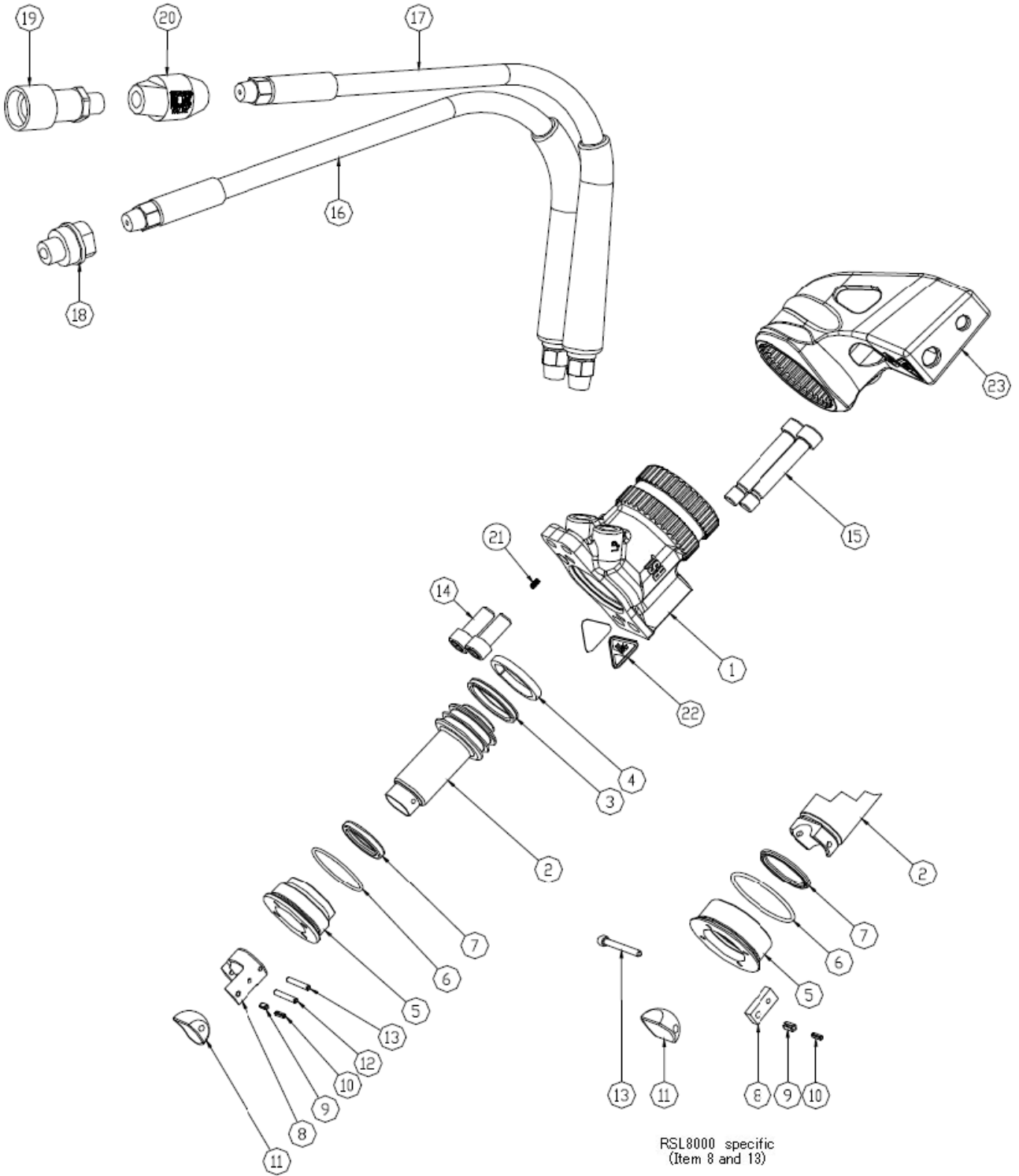


图 1，RSL 扭矩扳手驱动头总成

表 1 - 针对图 1 的“维修零件清单”

组件	说明	数量	RSL 扭矩扳手驱动头型号和零件号		
			RSL1500	RSL3000	RSL5000
1	动力头壳体	1	不可用	不可用	不可用
2	活塞	1	005AB0001577	005AB0026529	005AB0001579
3	活塞密封	1	▲	▲	▲
4	活塞磨损环	1	▲	▲	▲
5	前端盖	1	▲	▲	▲
6	O 形圈 (前端盖)	1	▲	▲	▲
7	压盖密封	1	▲	▲	▲
8	拉钩装置	1	○	○	○
9	拉钩装置销	1	○	○	○
10	内销	1	-	-	○
11	青铜块	1	○	○	○
12	滚针	1	○	○	○
13	滚针 (或螺钉)	1	-	○	○
14	短螺栓	2	■	■	■
15	长螺栓	2	■	■	■
16	回程软管	1	D0113C0046AF	D0113C0046AG	D0113C0046AG
17	进程软管	1	D0113C0046AF	D0113C0046AG	D0113C0046AG
18	快速接头 (公)	1	002NA0026515	002NA0026515	002NA0026515
19	快速接头 (母)	1	002NB0026516	002NB0026516	002NB0026516
20	安全阀	1	002KY0028178	002KY0028178	002KY0028178
21	堵头	1	002RJ0028291	002RJ0028291	002RJ0028291
22	安全标志	2	005AP0027094	005AP0027094	005AP0027094
23	反作用力臂总成	1	RRA1500	RRA3000	RRA5000
24 (a)	后端盖 (未显示)	1	-	-	-
25 (a)	密封, O 形圈, 后端盖	1	-	-	-
26 (a)	密封, O 形圈, 带挡圈, 后端盖	1	-	-	-
27 (a)	后端盖螺栓	22	-	-	-
28 (a)	压盖磨损环	1	-	-	-

注意:

(a) - 未显示。

(b) - 在总成处使用 003LB0046058 油。

(c) - 显示的通用型号和零件号。为订购替换零件, 规定: 工具样式、型号、序列号、日期代码、说明和零件号。

○ = 表示零件作为拉钩装置套件的一部分并仅由套件提供:

RSL1500RK, RSL3000RK, RSL5000RK, RSL8000RK, RSL11000RK, RSL190000RK, RSL280000RK

■ = 表示零件作为螺栓套件的一部分并仅由套件提供:

RSL1500BK, RSL3000BK, RSL5000BK, RSL8000BK, RSL11000BK, RSL19000BK, RSL28000BK

▲ = 表示零件作为前端盖+密封套件的一部分并仅由套件提供:

RSL1500FSK, RSL3000FSK, RSL5000FSK, RSL8000FSK, RSL11000FSK, RSL19000FSK, RSL28000FSK

表 1 - 针对图 1 的“维修零件清单” [续]

组件	说明	数量	RSL 扭矩扳手驱动头型号和零件号 [续]		
			RSL8000	RSL11000	RSL19000
1	动力头壳体	1	不可用	不可用	不可用
2	活塞	1	005AB0001580	005AB0001581	005AB0001582
3	活塞密封	1	▲	▲	▲
4	活塞磨损环	1	▲	▲	▲
5	前端盖	1	▲	▲	▲
6	O 形圈 (前端盖)	1	▲	▲	▲
7	压盖密封	1	▲	▲	▲
8	拉钩装置	1	○	○	○
9	拉钩装置销	1	○	○	○
10	内销	1	○	○	○
11	青铜块	1	○	○	○
12	滚针	1	-	○	○
13	滚针 (或螺钉)	1	○	○	○
14	短螺栓	2	■	■	■
15	长螺栓	2	■	■	■
16	回程软管	1	D0113C0046AG	D0113C0046AG	D0113C0046AG
17	进程软管	1	D0113C0046AG	D0113C0046AG	D0113C0046AG
18	快速接头 (公)	1	002NA0026515	002NA0026515	002NA0026515
19	快速接头 (母)	1	002NB0026516	002NB0026516	002NB0026516
20	安全阀	1	002KY0028178	002KY0028178	002KY0028178
21	堵头	1	002RJ0028291	002RJ0028291	002RJ0028358
22	安全标志	2	005AP0027094	005AP0027094	005AP0027094
23	反作用力臂总成	1	RRA8000	RRA11000	RRA19000
24 (a)	后端盖 (未显示)	1	-	-	-
25 (a)	密封, O 形圈, 后端盖	1	-	-	-
26 (a)	密封, O 形圈, 带挡圈, 后端盖	1	-	-	-
27 (a)	后端盖螺栓	22	-	-	-
28 (a)	压盖磨损环	1	-	-	-

注意:

(a) - 未显示。

(b) - 在总成处使用 003LB0046058 油。

(c) - 显示的通用型号和零件号。为订购替换零件, 规定: 工具样式、型号、序列号、日期代码、说明和零件号。

○ = 表示零件作为拉钩装置套件的一部分并仅由套件提供:

RSL1500RK, RSL3000RK, RSL5000RK, RSL8000RK, RSL11000RK, RSL190000RK, RSL280000RK

■ = 表示零件作为螺栓套件的一部分并仅由套件提供:

RSL1500BK, RSL3000BK, RSL5000BK, RSL8000BK, RSL11000BK, RSL19000BK, RSL28000BK

▲ = 表示零件作为前端盖+密封套件的一部分并仅由套件提供:

RSL1500FSK, RSL3000FSK, RSL5000FSK, RSL8000FSK, RSL11000FSK, RSL19000FSK, RSL28000FSK

表 1 - 针对图 1 的“维修零件清单” [续]

组件	说明	数量	RSL 扭矩扳手驱动头型号和零件号 [续]
			RSL28000
1	动力头壳体	1	不可用
2	活塞	1	005AB0001583
3	活塞密封	1	▲
4	活塞磨损环	1	▲
5	前端盖	1	-
6	O 形圈 (前端盖)	1	-
7	压盖密封	1	▲
8	拉钩装置	1	○
9	拉钩装置销	1	○
10	内销	1	○
11	青铜块	1	○
12	滚针	1	○
13	滚针 (或螺钉)	1	○
14	短螺栓	2	■
15	长螺栓	2	■
16	回程软管	1	D0113C0046AG
17	进程软管	1	D0113C0046AG
18	快速接头 (公)	1	002NA0026515
19	快速接头 (母)	1	002NB0026516
20	安全阀	1	002KY0028178
21	堵头	1	-
22	安全标志	2	005AP0027094
23	反作用力臂总成	1	RRA28000
24 (a)	后端盖 (未显示)	1	▲
25 (a)	密封, O 形圈, 后端盖	1	▲
26 (a)	密封, O 形圈, 带挡圈, 后端盖	1	▲
27 (a)	后端盖螺栓	22	▲
28 (a)	压盖磨损环	1	▲

注意:

(a) - 未显示。

(b) - 在总成处使用 003LB0046058 油。

(c) - 显示的通用型号和零件号。为订购替换零件, 规定: 工具样式、型号、序列号、日期代码、说明和零件号。

○ = 表示零件作为拉钩装置套件的一部分并仅由套件提供:

RSL1500RK, RSL3000RK, RSL5000RK, RSL8000RK, RSL11000RK, RSL190000RK, RSL280000RK

■ = 表示零件作为螺栓套件的一部分并仅由套件提供:

RSL1500BK, RSL3000BK, RSL5000BK, RSL8000BK, RSL11000BK, RSL19000BK, RSL28000BK

▲ = 表示零件作为前端盖+密封套件的一部分并仅由套件提供:

RSL1500FSK, RSL3000FSK, RSL5000FSK, RSL8000FSK, RSL11000FSK, RSL19000FSK, RSL28000FSK

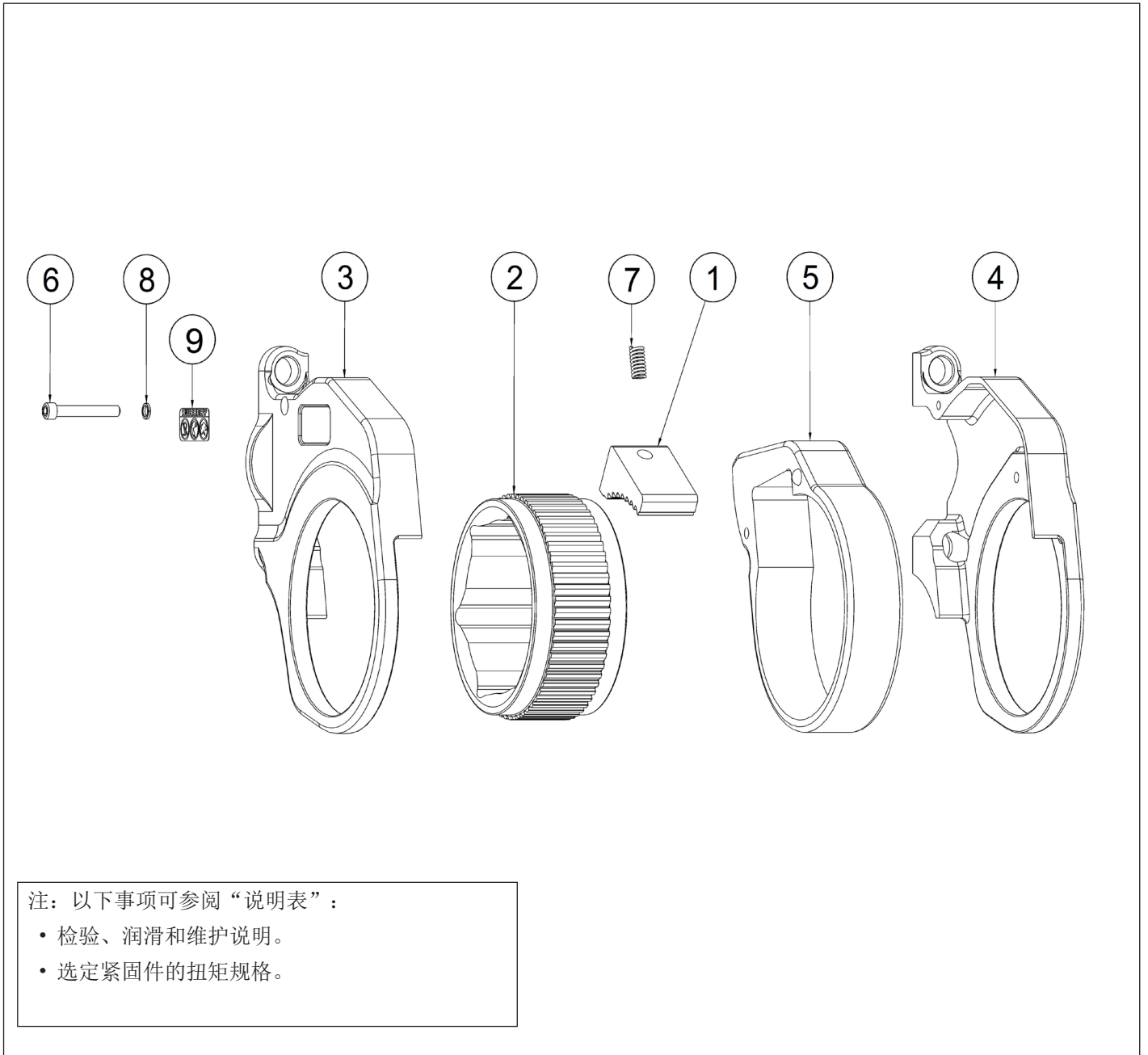


图 2, RSL 六角施力头总成

表 2 - 针对图 2 的“维修零件清单”

组件	说明	数量	RSL 六角施力头和零件号			
			RLP1500	RLP3000	RLP5000	RLP8000
1	棘爪	1	◆	◆	◆	◆
2	六角棘轮	1	请参阅表2b, 第8-11页			
3	右半部壳体	1	•	•	•	•
4	左半部壳体	1	•	•	•	•
5	棘爪驱动总成	1	◆	◆	◆	◆
6	内六角平头螺钉	1	•	•	•	•
7	弹簧	1 (2)	◆	◆	◆	◆
8	垫圈	1	•	•	•	•
9	安全标贴板	1	•	•	•	•

组件	说明	数量	RSL 六角施力头和零件号		
			RLP11000	RLP19000	RLP28000
1	棘爪	1	◆	◆	◆
2	六角棘轮	1	请参阅表2b, 第8-11页		
3	右半部壳体	1	•	•	•
4	左半部壳体	1	•	•	•
5	棘爪驱动总成	1	◆	◆	◆
6	内六角平头螺钉	1	•	•	•
7	弹簧	1	◆	◆	◆
8	垫圈	1	•	•	•
9	安全标贴板	1	•	•	•

注意:

◆ = 表示零件作为棘爪套件（六角）的一部分并仅由套件提供:

RSL1xxxHPK, RSL3xxxHPK, RSL5xxxHPK, RSL8xxxHPK, RSL11xxxHPK, RSL19xxxHPK, RSL28xxxHPK

• = 表示零件作为壳体套件（六角）的一部分并仅由套件提供:

RSL1xxxHHK, RSL3xxxHHK, RSL5xxxHHK, RSL8xxxHHK, RSL11xxxHHK, RSL19xxxHHK, RSL28xxxHHK

表 2b - RSL 六角插件编号

驱动盒	In	mm	RSL1500		驱动盒	In	mm	RSL3000	
			六角插件编号#	说明				六角插件编号#	说明
RLP1014	7/8	22	RLP1500105014	RSL1500 棘轮 7/8"/22 mm A/F	RLP3104	1-1/4	32	RLP3000105104	RLP3000 棘轮 1 1/4"/32 mm A/F
RLP1101	1-1/16	27	RLP1500105101	RSL1500 棘轮 1 1/16"/27 mm A/F	RLP3105	1-5/16	33	RLP3000105105	RLP3000 棘轮 1 5/16"/33 mm A/F
RLP1102	1-1/8	28	RLP1500105102	RSL1500 棘轮 1 1/8"/28 mm A/F	RLP3106	1-3/8	35	RLP3000105106	RLP3000 棘轮 1 3/8"/35 mm A/F
RLP1103	1-3/16	30	RLP1500105103	RSL1500 棘轮 1 3/16"/30 mm A/F	RLP3107	1-7/16	36	RLP3000105107	RLP3000 棘轮 1 7/16"/36 mm A/F
RLP1104	1-1/4	32	RLP1500105104	RSL1500 棘轮 1 1/4"/32 mm A/F	RLP3108	1-1/2	38	RLP3000105108	RLP3000 棘轮 1 1/2"/38 mm A/F
RLP1104SL	1-1/4	32	RLP1500105104SL	RSL1500 SL 棘轮 1 1/4"/32 mm A/F	RLP3109	1-9/16	40	RLP3000105109	RLP3000 棘轮 1 9/16"/40 mm A/F
RLP1105	1-5/16	33	RLP1500105105	RSL1500 棘轮 1 5/16"/33 mm A/F	RLP3110	1-5/8	41	RLP3000105110	RLP3000 棘轮 1 5/8"/41 mm A/F
RLP1106	1-3/8	35	RLP1500105106	RSL1500 棘轮 1 3/8"/35 mm A/F	RLP3111	1-11/16	43	RLP3000105111	RLP3000 棘轮 1 11/16"/43 mm A/F
RLP1107	1-7/16	36	RLP1500105107	RSL1500 棘轮 1 7/16"/36 mm A/F	RLP3112	1-3/4	44	RLP3000105112	RLP3000 棘轮 1 3/4"/44 mm A/F
RLP1107SL	1-7/16	36	RLP1500105107SL	RSL1500 SL 棘轮 1 7/16"/36 mm A/F	RLP3113	1-13/16	46	RLP3000105113	RLP3000 棘轮 1 13/16"/46 mm A/F
RLP1108	1-1/2	38	RLP1500105108	RSL1500 棘轮 1 1/2"/38 mm A/F	RLP3114	1-7/8	48	RLP3000105114	RLP3000 棘轮 1 7/8"/48 mm A/F
RLP1109	1-9/16	40	RLP1500105109	RSL1500 棘轮 1 9/16"/40 mm A/F	RLP3115	1-15/16	49	RLP3000105115	RLP3000 棘轮 1 15/16"/49 mm A/F
RLP1110	1-5/8	41	RLP1500105110	RSL1500 棘轮 1 5/8"/41 mm A/F	RLP3200	2	50	RLP3000105200	RLP3000 棘轮 2"/50 mm A/F
RLP1110SL	1-5/8	41	RLP1500105110SL	RSL1500 SL 棘轮 1 5/8"/41 mm A/F	RLP3200SL	2	50	RLP3000105200SL	RLP3000 SL 棘轮 2"/50 mm A/F
RLP1111	1-11/16	43	RLP1500105111	RSL1500 棘轮 1 11/16"/43 mm A/F	RLP3201	2-1/16	52	RLP3000105201	RLP3000 棘轮 2 1/16"/52 mm A/F
RLP1112	1-3/4	44	RLP1500105112	RSL1500 棘轮 3/4"/44 mm A/F	RLP3202	2-1/8	54	RLP3000105202	RLP3000 棘轮 2 1/8"/54 mm A/F
RLP1113	1-13/16	46	RLP1500105113	RSL1500 棘轮 1 13/16"/46 mm A/F	RLP3203	2-3/16	55	RLP3000105203	RLP3000 棘轮 2 3/16"/55 mm A/F
RLP1113SL	1-13/16	46	RLP1500105113SL	RSL1500 SL 棘轮 1 13/16"/46 mm A/F	RLP3203SL	2-3/16	55	RLP3000105203SL	RLP3000 SL 棘轮 2 3/16"/55 mm A/F
RLP1114	1-7/8	48	RLP1500105114	RSL1500 棘轮 1 7/8"/48 mm A/F	RLP3204	2-1/4	57	RLP3000105204	RLP3000 棘轮 2 1/4"/57 mm A/F
RLP1115	1-15/16	49	RLP1500105115	RSL1500 棘轮 1 15/16"/49 mm A/F	RLP3205	2-5/16	-	RLP3000105205	RLP3000 棘轮 2 5/16"/59 mm A/F
RLP1200	2	50	RLP1500105200	RSL1500 棘轮 2"/50 mm A/F	RLP3206	2-3/8	60	RLP3000105206	RLP3000 棘轮 2 3/8"/60 mm A/F
RLP1200SL	2	50	RLP1500105200SL	RSL1500 SL 棘轮 2"/50 mm A/F	RLP3206SL	2-3/8	60	RLP3000105206SL	RLP3000 SL 棘轮 2 3/8"/60 mm A/F
RLP1201	2-1/16	52	RLP1500105201	RSL1500 棘轮 2 1/16"/52 mm A/F	RLP3207	2-7/16	62	RLP3000105207	RLP3000 棘轮 2 7/16"/62 mm A/F
RLP1202	2-1/8	54	RLP1500105202	RSL1500 棘轮 2 1/8"/54 mm A/F	RLP3208	2-1/2	63	RLP3000105208	RLP3000 棘轮 2 1/2"/63 mm A/F
RLP1203	2-3/16	55	RLP1500105203	RSL1500 棘轮 2 3/16"/55 mm A/F	RLP3209	2-9/16	65	RLP3000105209	RLP3000 棘轮 2 9/16"/65 mm A/F
RLP1204	2-1/4	57	RLP1500105204	RSL1500 棘轮 2 1/4"/57 mm A/F	RLP3209SL	2-9/16	65	RLP3000105209SL	RLP3000 SL 棘轮 2 9/16"/65 mm A/F
RLP1205	2-5/16	59	RLP1500105205	RSL1500 棘轮 2 5/16"/59 mm A/F	RLP3210	2-5/8	67	RLP3000105210	RLP3000 棘轮 2 5/8"/67 mm A/F
RLP1206	2-3/8	60	RLP1500105206	RSL1500 棘轮 2 3/8"/60 mm A/F	RLP3211	2-11/16	68	RLP3000105211	RLP3000 棘轮 2 11/16"/68 mm A/F

表 2b - RSL 六角插件编号[续]

驱动盒	In	mm	RSL3000		驱动盒	In	mm	RSL5000	
			六角插件编号#	说明				六角插件编号#	说明
RLP3212	2-3/4	70	RLP3000105212	RLP3000 棘轮 2 3/4"/70 mm A/F	RLP5215	2-15/16	75	RLP5000105215	RSL5000 棘轮 2 15/16"/75 mm A/F
RLP3212SL	2-3/4	70	RLP3000105212SL	RLP3000 SL 棘轮 2 3/4"/70 mm A/F	RLP5300	3	77	RLP5000105300	RSL5000 棘轮 3"/77 mm A/F
RLP3213	2-13/16	71	RLP3000105213	RLP3000 棘轮 2 13/16"/71 mm A/F	RLP5301	3-1/16	78	RLP5000105301	RSL5000 棘轮 3 1/16"/78 mm A/F
RLP3214	2-7/8	73	RLP3000105214	RLP3000 棘轮 2 7/8"/73 mm A/F	RLP5302	3-1/8	80	RLP5000105302	RSL5000 棘轮 3 1/8"/80 mm A/F
RLP3215	2-15/16	75	RLP3000105215	RLP3000 棘轮 2 15/16"/75 mm A/F	驱动盒	In	mm	RSL8000	
RLP3215SL	2-15/16	75	RLP3000105215SL	RLP3000 SL 棘轮 2 15/16"/75 mm A/F				六角插件编号#	说明
驱动盒	In	mm	RSL5000		RLP8206	2.375	60	RLP8000105206	RSL8000 棘轮 2 3/8"/60 mm A/F
			六角插件编号#	说明	RLP8207	2.4375	62	RLP8000105207	RSL8000 棘轮 2 7/16"/62 mm A/F
RLP5111	1-11/16	43	RLP5000105111	RSL5000 棘轮 1 11/16"/43 mm A/F	RLP8208	2.5	63	RLP8000105208	RSL8000 棘轮 2 1/2"/63 mm A/F
RLP5112	1-3/4	44	RLP5000105112	RSL5000 棘轮 1 3/4"/44 mm A/F	RLP8209	2.5625	65	RLP8000105209	RSL8000 棘轮 2 9/16"/65 mm A/F
RLP5113	1-13/16	46	RLP5000105113	RSL5000 棘轮 1 13/16"/46 mm A/F	RLP8210	2.625	67	RLP8000105210	RSL8000 棘轮 2 5/8"/67 mm A/F
RLP5114	1-7/8	48	RLP5000105114	RSL5000 棘轮 1 7/8"/48 mm A/F	RLP8211	2.6875	68	RLP8000105211	RSL8000 棘轮 2 11/16"/68 mm A/F
RLP5115	1-15/16	49	RLP5000105115	RSL5000 棘轮 1 15/16"/49 mm A/F	RLP8212	2.75	70	RLP8000105212	RSL8000 棘轮 2 3/4"/70 mm A/F
RLP5200	2	50	RLP5000105200	RSL5000 棘轮 2"/50 mm A/F	RLP8213	2.8125	71	RLP8000105213	RSL8000 棘轮 2 13/16"/71 mm A/F
RLP5201	2-1/16	52	RLP5000105201	RSL5000 棘轮 2 1/16"/52 mm A/F	RLP8214	2.875	73	RLP8000105214	RSL8000 棘轮 2 7/8"/73 mm A/F
RLP5202	2-1/8	54	RLP5000105202	RSL5000 棘轮 2 1/8"/54 mm A/F	RLP8215	2.9375	75	RLP8000105215	RSL8000 棘轮 2 15/16"/75 mm A/F
RLP5203	2-3/16	55	RLP5000105203	RSL5000 棘轮 2 3/16"/55 mm A/F	RLP8300	3	77	RLP8000105300	RSL8000 棘轮 3"/77 mm A/F
RLP5204	2-1/4	57	RLP5000105204	RSL5000 棘轮 2 1/4"/57 mm A/F	RLP8301	3.0625	78	RLP8000105301	RSL8000 棘轮 3 1/16"/78 mm A/F
RLP5205	2-5/16	59	RLP5000105205	RSL5000 棘轮 2 5/16"/59 mm A/F	RLP8302	3.125	80	RLP8000105302	RSL8000 棘轮 3 1/8"/80 mm A/F
RLP5206	2-3/8	60	RLP5000105206	RSL5000 棘轮 2 3/8"/60 mm A/F	驱动盒	In	mm	RSL11000	
RLP5207	2-7/16	62	RLP5000105207	RSL5000 棘轮 2 7/16"/62 mm A/F				六角插件编号#	说明
RLP5208	2-1/2	63	RLP5000105208	RSL5000 棘轮 2 1/2"/63 mm A/F	RLP11207	2.7/16	62	RLP11000105207	RSL11000 棘轮 2 7/16"/62 mm A/F
RLP5209	2-9/16	65	RLP5000105209	RSL5000 棘轮 2 9/16"/65 mm A/F	RLP11208	2.1/2	63	RLP11000105208	RSL11000 棘轮 2 1/2"/63 mm A/F
RLP5210	2-5/8	67	RLP5000105210	RSL5000 棘轮 2 5/8"/67 mm A/F	RLP11209	2.9/16	65	RLP11000105209	RSL11000 棘轮 2 9/16"/65 mm A/F
RLP5211	2-11/16	68	RLP5000105211	RSL5000 棘轮 2 11/16"/68 mm A/F	RLP11210	2.5/8	67	RLP11000105210	RSL11000 棘轮 2 5/8"/67 mm A/F
RLP5212	2-3/4	70	RLP5000105212	RSL5000 棘轮 2 3/4"/70 mm A/F	RLP11211	2.11/16	68	RLP11000105211	RSL11000 棘轮 2 11/16"/68 mm A/F
RLP5213	2-13/16	71	RLP5000105213	RSL5000 棘轮 2 13/16"/71 mm A/F	RLP11212	2.3/4	70	RLP11000105212	RSL11000 棘轮 2 3/4"/70 mm A/F
RLP5214	2-7/8	73	RLP5000105214	RSL5000 棘轮 2 7/8"/73 mm A/F	RLP11213	2.13/16	71	RLP11000105213	RSL11000 棘轮 2 13/16"/71 mm A/F

表 2b - RSL 六角插件编号[续]

驱动盒	In	mm	RSL11000		驱动盒	In	mm	RSL11000	
			六角插件编号#	说明				六角插件编号#	说明
RLP11214	2.7/8	73	RLP11000105214	RSL11000 棘轮 2 7/8"/73 mm A/F	RLP11408	4.1/2	*	RLP11000105408	RSL11000 棘轮 4 1/2" A/F
RLP11215	2.15/16	75	RLP11000105215	RSL11000 棘轮 2 15/16"/75 mm A/F	RLP11409	4.9/16	-	RLP11000105409	RSL11000 棘轮 4 9/16" A/F
RLP11300	3	77	RLP11000105300	RSL11000 棘轮 3"/77 mm A/F	RLP11410	4.5/8	*	RLP11000105410	RSL11000 棘轮 4 5/8" A/F
RLP11301	3.1/16	78	RLP11000105301	RSL11000 棘轮 3 1/16"/78 mm A/F	RLP11115M	*	115	RLP11000105115M	RSL11000 棘轮 115 mm A/F
RLP11302	3.1/8	80	RLP11000105302	RSL11000 棘轮 3 1/8"/80 mm A/F	驱动盒	In	mm	RSL19000	
RLP11303	3.3/16	81	RLP11000105303	RSL11000 棘轮 3 3/16"/81 mm A/F				六角插件编号#	说明
RLP11304	3.1/4	83	RLP11000105304	RSL11000 棘轮 3 1/4"/83 mm A/F	RLP19215	2.15/16	75	RLP19000105215	RLP19000 棘轮 2 15/16"/75 mm A/F
RLP11305	3.5/16	84	RLP11000105305	RSL11000 棘轮 3 5/16"/84 mm A/F	RLP19300	3	77	RLP19000105300	RLP19000 棘轮 3"/77 mm A/F
RLP11085M	*	85	RLP1100010585M	RSL11000 棘轮 85 mm A/F	RLP19301	3.1/16	78	RLP19000105301	RLP19000 棘轮 3 1/16"/78 mm A/F
RLP11306	3.3/8	86	RLP11000105306	RSL11000 棘轮 3 3/8"/86 mm A/F	RLP19302	3.1/8	80	RLP19000105302	RLP19000 棘轮 3 1/8"/80 mm A/F
RLP11307	3.7/16	*	RLP11000105307	RSL11000 棘轮 3 7/16" A/F	RLP19303	3.3/16	81	RLP19000105303	RLP19000 棘轮 3 3/16"/81 mm A/F
RLP11308	3.1/2	89	RLP11000105308	RSL11000 棘轮 3 1/2"/89 mm A/F	RLP19304	3.1/4	83	RLP19000105304	RLP19000 棘轮 3 1/4"/83 mm A/F
RLP11090M	*	90	RLP1100010590M	RSL11000 棘轮 90 mm A/F	RLP19305	3.5/16	84	RLP19000105305	RLP19000 棘轮 3 5/16"/84 mm A/F
RLP11309	3.9/16	91	RLP11000105309	RSL11000 棘轮 3 9/16"/91 mm A/F	RLP19085M	-	85	RLP1900010585M	RSL19000 棘轮 85 mm A/F
RLP11310	3.5/8	92	RLP11000105310	RSL11000 棘轮 3 5/8"/92 mm A/F	RLP19306	3.3/8	86	RLP19000105306	RLP19000 棘轮 3 3/8"/86 mm A/F
RLP11311	3.11/16	94	RLP11000105311	RSL11000 棘轮 3 11/16"/94 mm A/F	RLP19307	3.7/16	-	RLP19000105307	RLP19000 棘轮 3 7/16" A/F
RLP11312	3.3/4	95	RLP11000105312	RSL11000 棘轮 3 3/4"/95 mm A/F	RLP19308	3.1/2	89	RLP19000105308	RLP19000 棘轮 3 1/2"/89 mm A/F
RLP11313	3.13/16	97	RLP11000105313	RSL11000 棘轮 3 13/16"/97 mm A/F	RLP19090M	-	90	RLP1900010590M	RSL19000 棘轮 90 mm A/F
RLP11314	3.7/8	99	RLP11000105314	RSL11000 棘轮 3 7/8"/99 mm A/F	RLP19309	3.9/16	91	RLP19000105309	RLP19000 棘轮 3 9/16"/91 mm A/F
RLP11315	3.15/16	100	RLP11000105315	RSL11000 棘轮 3 15/16"/100 mm A/F	RLP19310	3.5/8	92	RLP19000105310	RLP19000 棘轮 3 5/8"/92 mm A/F
RLP11400	4	102	RLP11000105400	RSL11000 棘轮 4"/102 mm A/F	RLP19311	3.11/16	94	RLP19000105311	RLP19000 棘轮 3 11/16"/94 mm A/F
RLP11401	4.1/16	*	RLP11000105401	RSL11000 棘轮 4 1/16" A/F	RLP19312	3.3/4	95	RLP19000105312	RLP19000 棘轮 3 3/4"/95 mm A/F
RLP11402	4.1/8	105	RLP11000105402	RSL11000 棘轮 4 1/8"/105 mm A/F	RLP19313	3.13/16	97	RLP19000105313	RLP19000 棘轮 3 13/16"/97 mm A/F
RLP11403	4.3/16	*	RLP11000105403	RSL11000 棘轮 4 3/16" A/F	RLP19314	3.7/8	99	RLP19000105314	RLP19000 棘轮 3 7/8"/99 mm A/F
RLP11404	4.1/4	108	RLP11000105404	RSL11000 棘轮 4 1/4"/108 mm A/F	RLP19315	3.15/16	100	RLP19000105315	RLP19000 棘轮 3 15/16"/100 mm A/F
RLP11405	4.5/16	110	RLP11000105405	RSL11000 棘轮 4 5/16"/110 mm A/F	RLP19400	4	102	RLP19000105400	RLP19000 棘轮 4"/102 mm A/F
RLP11406	4.3/8	111	RLP11000105406	RSL11000 棘轮 4 3/8"/111 mm A/F	RLP19401	4.1/16	-	RLP19000105401	RLP19000 棘轮 4 1/16" A/F
RLP11407	4.7/16	113	RLP11000105407	RSL11000 棘轮 4 7/16"/113 mm A/F	RLP19402	4.1/8	105	RLP19000105402	RLP19000 棘轮 4 1/8"/105 mm A/F

表 2b - RSL 六角插件编号[续]

驱动盒	In	mm	RSL19000		驱动盒	In	mm	RSL28000	
			六角插件编号#	说明				六角插件编号#	说明
RLP19403	4.3/16	*	RLP19000105403	RLP19000 棘轮 4 3/16" A/F	RLP28401	4.1/16	-	RLP28000105401	RLP28000 棘轮 4 1/16" A/F
RLP19404	4.1/4	108	RLP19000105404	RLP19000 棘轮 4 1/4"/108 mm A/F	RLP28402	4.1/8	105	RLP28000105402	RLP28000 棘轮 4 1/8"/105 mm A/F
RLP19405	4.5/16	110	RLP19000105405	RLP19000 棘轮 4 5/16"/110 mm A/F	RLP28403	4.3/16	*	RLP28000105403	RLP28000 棘轮 4 3/16" A/F
RLP19406	4.3/8	111	RLP19000105406	RLP19000 棘轮 4 3/8"/111 mm A/F	RLP28404	4.1/4	108	RLP28000105404	RLP28000 棘轮 4 1/4"/108 mm A/F
RLP19407	4.7/16	113	RLP19000105407	RLP19000 棘轮 4 7/16"/113 mm A/F	RLP28405	4.5/16	110	RLP28000105405	RLP28000 棘轮 4 5/16"/110 mm A/F
RLP19408	4.1/2	-	RLP19000105408	RLP19000 棘轮 4 1/2" A/F	RLP28406	4.3/8	111	RLP28000105406	RLP28000 棘轮 4 3/8"/111 mm A/F
RLP19409	4.9/16	-	RLP19000105409	RLP19000 棘轮 4 9/16" A/F	RLP28407	4.7/16	113	RLP28000105407	RLP28000 棘轮 4 7/16"/113 mm A/F
RLP19410	4.5/8	-	RLP19000105410	RLP19000 棘轮 4 5/8" A/F	RLP28408	4.1/2	*	RLP28000105408	RLP28000 棘轮 4 1/2" A/F
RLP19115M	-	115	RLP19000105115M	RLP19000 棘轮 115 mm A/F	RLP28115M	*	115	RLP28000105115M	RLP28000 棘轮 115 mm A/F
驱动盒	In	mm	RSL28000		RLP28409	4.9/16	-	RLP28000105409	RLP28000 棘轮 4 9/16" A/F
			六角插件编号#	说明	RLP28410	4.5/8	*	RLP28000105410	RLP28000 棘轮 4 5/8" A/F
RLP28302	3.1/8	80	RLP28000105302	RLP28000 棘轮 3 1/8"/80 mm A/F	RLP28412	4.3/4	120	RLP28000105412	RLP28000 棘轮 4 3/4"/120 mm A/F
RLP28303	3.3/16	81	RLP28000105303	RLP28000 棘轮 3 3/16"/81 mm A/F	RLP28123M	*	123	RLP28000105123M	RLP28000 棘轮 123 mm A/F
RLP28304	3.1/4	83	RLP28000105304	RLP28000 棘轮 3 1/4"/83 mm A/F	RLP28414	4.7/8	124	RLP28000105414	RLP28000 棘轮 4 7/8"/124 mm A/F
RLP28305	3.5/16	84	RLP28000105305	RLP28000 棘轮 3 5/16"/84 mm A/F	RLP28500	5	127	RLP28000105500	RLP28000 棘轮 5"/127 mm A/F
RLP28085M	*	85	RLP2800010585M	RLP28000 棘轮 5 3/4"/85 mm A/F	RLP28502	5.1/8	130	RLP28000105502	RLP28000 棘轮 5 1/8"/130 mm A/F
RLP28306	3.3/8	86	RLP28000105306	RLP28000 棘轮 3 3/8"/86 mm A/F	RLP28503	5.3/16	-	RLP28000105503	RLP28000 棘轮 5 3/16" A/F
RLP28307	3.7/16	*	RLP28000105307	RLP28000 棘轮 3 7/16" A/F	RLP28504	5.1/4	*	RLP28000105504	RLP28000 棘轮 5 1/4" A/F
RLP28308	3.1/2	89	RLP28000105308	RLP28000 棘轮 3 1/2"/89 mm A/F	RLP28506	5.3/8	135	RLP28000105506	RLP28000 棘轮 5 3/8"/135 mm A/F
RLP28090M	*	90	RLP2800010590M	RLP28000 棘轮 90 mm A/F	RLP28508	5.1/2	140	RLP28000105508	RLP28000 棘轮 5 1/2"/140 mm A/F
RLP28309	3.9/16	91	RLP28000105309	RLP28000 棘轮 3 9/16"/91 mm A/F	RLP28509	5.9/16	141	RLP28000105509	RLP28000 棘轮 5 9/16"/141 mm A/F
RLP28310	3.5/8	92	RLP28000105310	RLP28000 棘轮 3 5/8"/92 mm A/F	RLP28510	5.5/8	143	RLP28000105510	RLP28000 棘轮 5 5/8"/143 mm A/F
RLP28311	3.11/16	94	RLP28000105311	RLP28000 棘轮 3 11/16"/94 mm A/F	RLP28512	5.3/4	145	RLP28000105512	RLP28000 棘轮 5 3/4"/145 mm A/F
RLP28312	3.3/4	95	RLP28000105312	RLP28000 棘轮 3 3/4"/95 mm A/F	RLP28514	5.7/8	150	RLP28000105514	RLP28000 棘轮 5 7/8"/150 mm A/F
RLP28313	3.13/16	97	RLP28000105313	RLP28000 棘轮 3 13/16"/97 mm A/F	RLP28151M	*	151	RLP28000105151M	RLP28000 棘轮 151 mm A/F
RLP28314	3.7/8	99	RLP28000105314	RLP28000 棘轮 3 7/8"/99 mm A/F	RLP28600	6	153	RLP28000105600	RLP28000 棘轮 6"/153 mm A/F
RLP28315	3.15/16	100	RLP28000105315	RLP28000 棘轮 3 15/16"/100 mm A/F	RLP28602	6.1/8	155	RLP28000105602	RLP28000 棘轮 6 1/8"/155 mm A/F
RLP28400	4	102	RLP28000105400	RLP28000 棘轮 4"/102 mm A/F					

注：以下事项可参阅“说明表”：

- 检验、润滑和维护说明。
- 选定紧固件的扭矩规格。

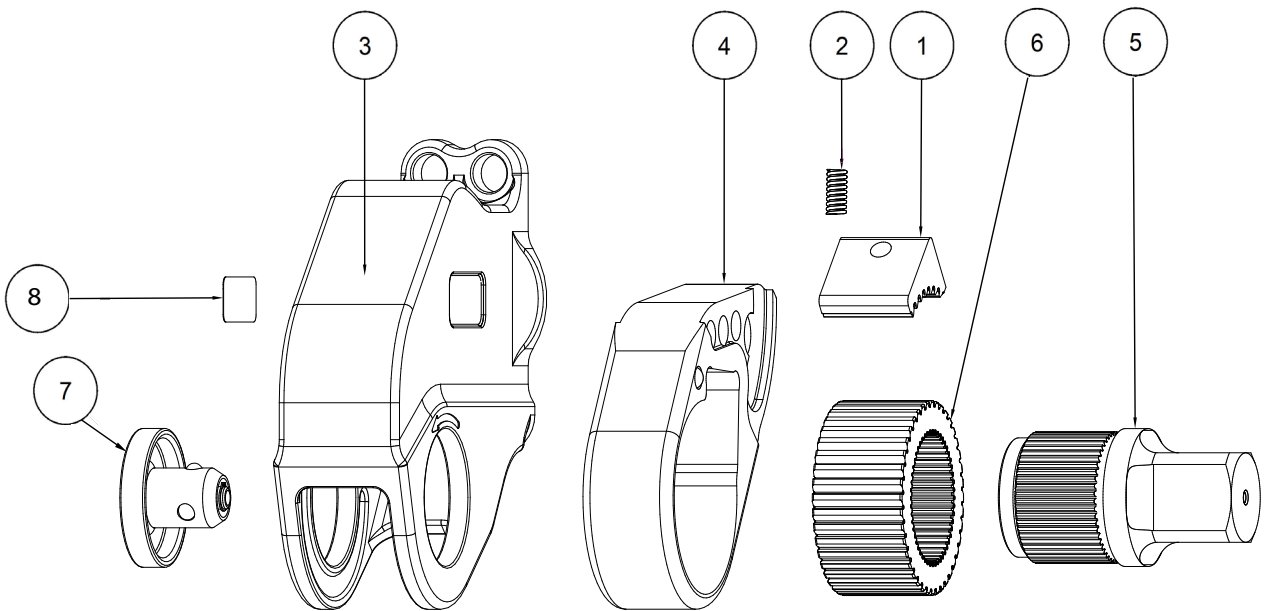


图 3，RSL 方驱扳手施力头总成

表 3 - 针对图 3 的“维修零件清单”

组件	说明	数量	RSL 方驱扳手施力头和零件号			
			RSQ1500	RSQ3000	RSQ5000	RSQ8000
1	棘爪	1	◆	◆	◆	◆
2	弹簧	1 (2)	◆	◆	◆	◆
3	壳体	1	∧	∧	∧	∧
4	棘爪驱动总成	1	◆	◆	◆	◆
5	方驱	1	∴	∴	∴	∴
6	棘轮	1	◆	◆	◆	◆
7	方驱释放按钮总成	1	∴	∴	∴	∴
8	安全标志	1	◆∧	◆∧	◆∧	◆∧

组件	说明	数量	RSL 棘爪驱动总成和零件号		
			RSQ11000	RSQ19000	RSQ28000
1	棘爪	1	◆	◆	◆
2	弹簧	1	◆	◆	◆
3	壳体	1	∧	∧	∧
4	棘爪驱动总成	1	◆	◆	◆
5	方驱	1	∴	∴	∴
6	棘轮	1	◆	◆	◆
7	方驱释放按钮总成	1	∴	∴	∴
8	安全标志	1	◆∧	◆∧	◆∧

注：
显示的通用型号和零件号。为订购替换零件，规定：工具样式、型号、序列号、日期代码、说明和零件号

◆ = 表示零件作为棘爪套件（正方形）的一部分并仅由套件提供：
RSL1500SPK, RSL3000SPK, RSL5000SPK, RSL8000SPK, RSL11000SPK, RSL19000SPK, RSL28000SPK

∧ = 表示零件作为壳体套件（正方形）的一部分并仅由套件提供：
RSL1500SHK, RSL3000SHK, RSL5000SHK, RSL8000SHK, RSL11000SHK, RSL19000SHK, RSL28000SHK

∴ = 表示零件作为方驱套件（方驱）的一部分并仅由套件提供：
RSL1500SDK, RSL3000SDK, RSL5000SDK, RSL8000SDK, RSL11000SDK, RSL19000SDK, RSL28000SDK

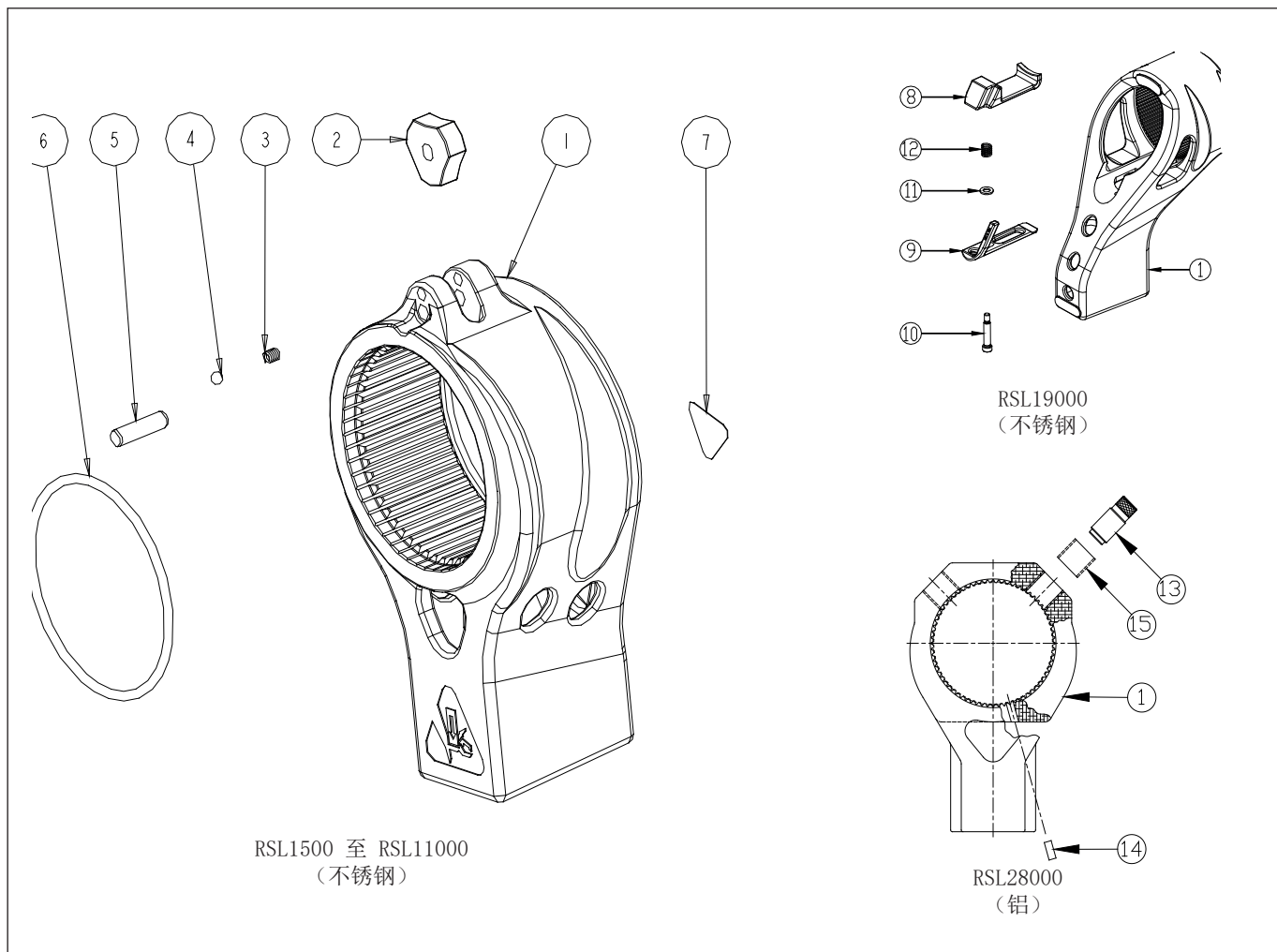


图 4, RSL 反作用力臂总成

表 4 - 针对图 4 的“维修零件清单”

组件	说明	数量	RSL Reaction Arm and Part Numbers			
			RRA1500	RRA3000	RRA5000	RRA8000
1	反作用力臂	1	005BS0042572	005BS0042594	005BS0042607	005BS0042614
2	锁块	1	*	*	*	*
3	压缩弹簧	1	*	*	*	*
4	钢球	1	*	*	*	*
5	销钉	1	*	*	*	*
6	O 形圈	1	*	*	*	*
7	安全标志	1	*	*	*	*
8	固定杆	1	-	-	-	-
9	固定杆锁扣	1	-	-	-	-
10	固定螺钉	1	-	-	-	-
11	垫圈	1	-	-	-	-
12	压缩弹簧	1	-	-	-	-
13	螺钉	2	-	-	-	-
14	销, ¼" D x 5/8" L	1	-	-	-	-
15	螺纹插件	2	-	-	-	-

组件	说明	数量	RSL Reaction Arm and Part Numbers		
			RRA11000	RRA19000	RRA28000
1	反作用力臂	1	005BS0046164	005BS0042569	005BS0042587
2	锁块	1	*	-	-
3	压缩弹簧	1	*	-	-
4	钢球	1	*	-	-
5	销钉	1	*	-	-
6	O 形圈	1	*	-	-
7	安全标志	1	*	*	*
8	固定杆	1	-	*	-
9	固定杆锁扣	1	-	*	-
10	固定螺钉	1	-	*	-
11	垫圈	1	-	*	-
12	压缩弹簧	1	-	*	-
13	螺钉	2	-	-	*
14	销, ¼" D x 5/8" L	1	-	-	*
15	螺纹插件	2	-	-	*

注：
显示的通用型号和零件号。为订购替换零件，规定：工具样式、型号、序列号、日期代码、说明和零件号

* = 表示零件作为锁块套件的一部分并仅由套件提供：
RSL1500DK, RSL3000DK, RSL5000DK, RSL8000DK, RSL11000DK, RSL19000DK, RSL28000DK

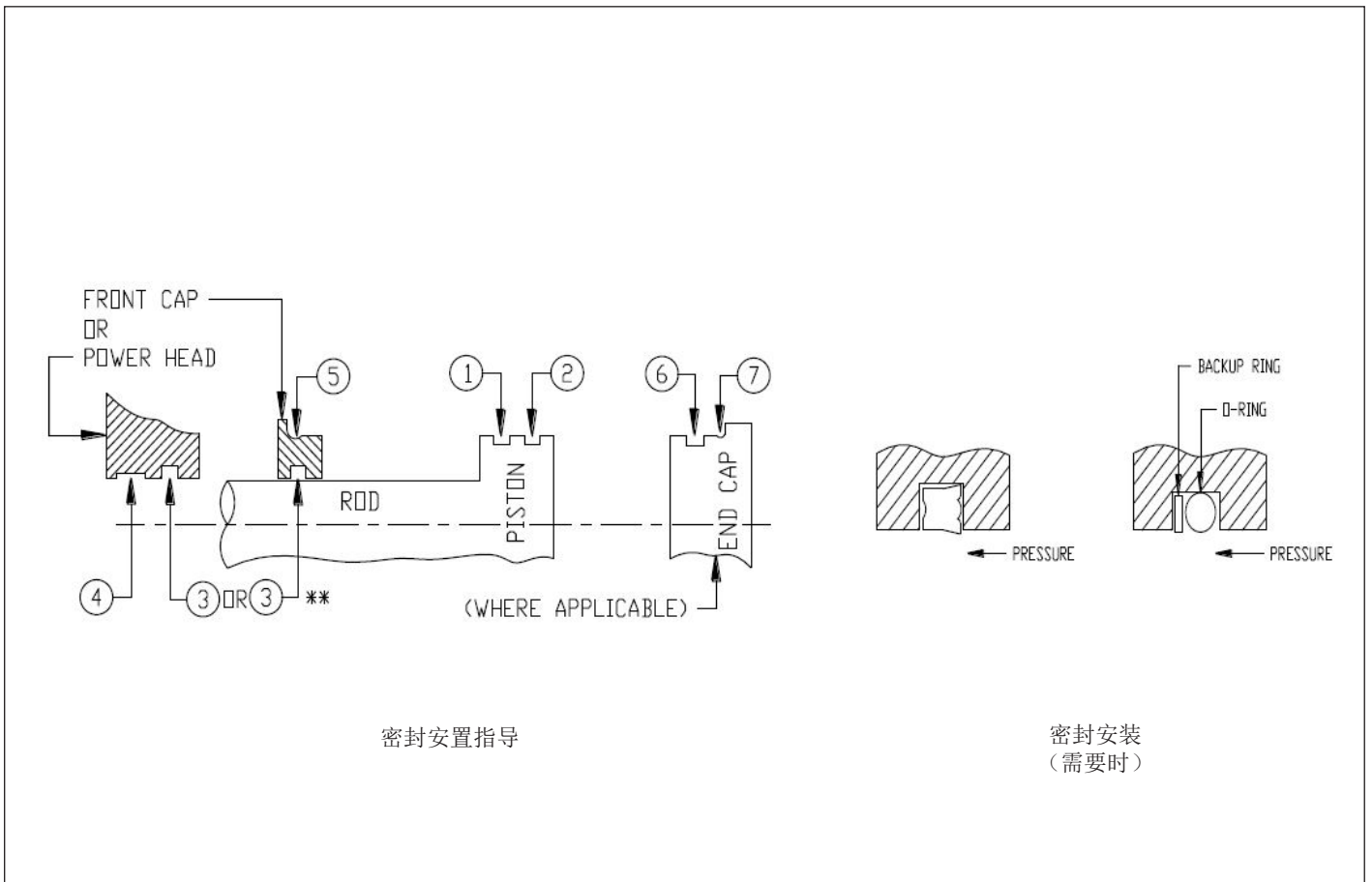


图 5, RSL 扭矩扳手驱动头密封套件

表 5 - 针对图 5 的“密封套件零件清单”

RSL 型号	密封套件编号	RSL 密封和零件号			
		活塞密封	活塞磨损环	活塞杆密封	活塞杆磨损环
RSL1500	RSL1500SK	+	+	+	-
RSL3000	RSL3000SK	+	+	+	-
RSL5000	RSL5000SK	+	+	+	-
RSL8000	RSL8000SK	+	+	+	-
RSL11000	RSL11000SK	+	+	+	-
RSL19000	RSL19000SK	+	+	+	-
RSL28000	RSL28000SK	+	+	+	+

RSL 型号	密封套件编号	前端盖密封	后端盖密封	后端盖密封
			(沟槽)	(转角)
RSL1500	RSL1500SK	+	-	-
RSL3000	RSL3000SK	+	-	-
RSL5000	RSL5000SK	+	-	-
RSL8000	RSL8000SK	+	-	-
RSL11000	RSL11000SK	+	-	-
RSL19000	RSL19000SK	+	-	-
RSL28000	RSL28000SK	-	+	+

注：
提供序列号以确保订购正确的替换零件。

+ = 表示零件作为密封套件的一部分并仅由套件提供。

表 6 - 备用套件, 工具附件和选项

零件号	RSL 拉钩装置套件	零件号	RSL 壳体套件 (六角)
RSL1500RK	动力头、拉钩装置、拉钩装置销、滚销、	RSL1xxxHHK	壳体 (右)、壳体 (左)、内六角平头螺钉、垫圈、安全标贴板
RSL3000RK	动力头、拉钩装置、拉钩装置销、滚销、滚销 (或螺钉)	RSL3xxxHHK	壳体 (右)、壳体 (左)、内六角平头螺钉、垫圈、安全标贴板
RSL5000RK	动力头、拉钩装置、拉钩装置销、内销、滚销、滚销 (或螺钉)	RSL5xxxHHK	壳体 (右)、壳体 (左)、内六角平头螺钉、垫圈、安全标贴板
RSL8000RK	动力头、拉钩装置、拉钩装置销、内销、滚销 (或螺钉)	RSL8xxxHHK	壳体 (右)、壳体 (左)、内六角平头螺钉、垫圈、安全标贴板
RSL11000RK	动力头、拉钩装置、拉钩装置销、内销、滚销、滚销 (或螺钉)、销内销	RSL11xxxHHK	壳体 (右)、壳体 (左)、内六角平头螺钉、垫圈、安全标贴板
RSL19000RK	动力头、拉钩装置、拉钩装置销、内销、滚销、滚销 (或螺钉)	RSL19xxxHHK	壳体 (右)、壳体 (左)、内六角平头螺钉、垫圈、安全标贴板
RSL28000RK	动力头、拉钩装置、拉钩装置销、内销、滚销、滚销 (或螺钉)	RSL28xxxHHK	壳体 (右)、壳体 (左)、内六角平头螺钉、垫圈、安全标贴板
零件号	RSL 螺栓套件	零件号	RSL 棘爪套件 (方驱)
RSL1500BK	短螺栓、长螺栓	RSL1500SPK	棘爪、弹簧、棘爪驱动总成、方驱、安全标志
RSL3000BK	短螺栓、长螺栓	RSL3000SPK	棘爪、弹簧、棘爪驱动总成、方驱、安全标志
RSL5000BK	短螺栓、长螺栓	RSL5000SPK	棘爪、弹簧、棘爪驱动总成、方驱、安全标志
RSL8000BK	短螺栓、长螺栓	RSL8000SPK	棘爪、弹簧、棘爪驱动总成、方驱、安全标志
RSL11000BK	短螺栓、长螺栓	RSL11000SPK	棘爪、弹簧、棘爪驱动总成、方驱、安全标志
RSL19000BK	短螺栓、长螺栓	RSL19000SPK	棘爪、弹簧、棘爪驱动总成、方驱、安全标志
RSL28000BK	短螺栓、长螺栓	RSL28000SPK	棘爪、弹簧、棘爪驱动总成、方驱、安全标志
零件号	RSL 前端盖和密封套件	零件号	RSL 壳体套件 (方驱)
RSL1500FSK	前端盖、密封套件	RSL1500SHK	壳体、安全标志
RSL3000FSK	前端盖、密封套件	RSL3000SHK	壳体、安全标志
RSL5000FSK	前端盖、密封套件	RSL5000SHK	壳体、安全标志
RSL8000FSK	前端盖、密封套件	RSL8000SHK	壳体、安全标志
RSL11000FSK	前端盖、密封套件	RSL11000SHK	壳体、安全标志
RSL19000FSK	前端盖、密封套件	RSL19000SHK	壳体、安全标志
RSL28000FSK	密封套件、后端盖、螺栓	RSL28000SHK	壳体、安全标志
零件号	RSL 棘爪套件 (六角)	零件号	RSL 方驱套件 (方驱):
RSL1xxxHPK	棘爪、棘爪驱动总成、弹簧	RSL1500SDK	方驱、方驱释放按钮组件 组装
RSL3xxxHPK	棘爪、棘爪驱动总成、弹簧	RSL3000SDK	方驱、方驱释放按钮组件 组装
RSL5xxxHPK	棘爪、棘爪驱动总成、弹簧	RSL5000SDK	方驱、方驱释放按钮组件 组装
RSL8xxxHPK	棘爪、棘爪驱动总成、弹簧 (2)	RSL8000SDK	方驱、方驱释放按钮组件 组装
RSL11xxxHPK	棘爪、棘爪驱动总成、弹簧		
RSL19xxxHPK	棘爪、棘爪驱动总成、弹簧		
RSL28xxxHPK	棘爪、棘爪驱动总成、弹簧		

表 6 - 备用套件、工具附件和选项 [续]

零件号	RSL 方驱套件 (方驱) [续]	零件号	其它附件 (零件号请联系 Enerpac)
RSL11000SDK	方驱、方驱释放按钮组件 组装	-	反作用力臂 - 专用
RSL19000SDK	方驱、方驱释放按钮组件 组装	-	反作用力臂 - 可焊钢
RSL28000SDK	方驱、方驱释放按钮组件 组装	-	反作用力臂套管
		-	缆绳, 反作用力臂打结, 次级
零件号	RSL 锁块套件	-	反作用力臂固定销 (替换锁块)
RSL1500DK	锁块、压缩弹簧、钢球、销钉、O 形圈、安全标志	-	薄的六角扳手
RSL3000DK	锁块、压缩弹簧、钢球、销钉、O 形圈、安全标志	-	插件 - 六角驱动扳手 (切割形状 - 六角、双六角、八边形、正方形、双正方形和花键)
RSL5000DK	锁块、压缩弹簧、钢球、销钉、O 形圈、安全标志	-	六角套筒 - 方驱扳手
RSL8000DK	锁块、压缩弹簧、钢球、销钉、O 形圈、安全标志	-	托架 - 悬挂
RSL11000DK	锁块、压缩弹簧、钢球、销钉、O 形圈、安全标志	-	带定位销和固定环的套筒
RSL19000DK	固定杆、固定杆锁扣、固定螺钉、垫圈、压缩弹簧、安全标志	-	操纵台 - 气动或液压
RSL28000DK	螺钉、1/4" D x 5/8" L 滚针、螺纹插件、安全标志	-	防尘帽 - 快速连接
零件号	RSL 扳手套件	零件号	润滑剂
RSL1500TK	前端盖扭矩夹具、内六角扳手夹具 - RSL 总成	003LA0026432	二硫化钼润滑脂, 416, Sweeney 503
RSL3000TK	前端盖扭矩夹具、内六角扳手夹具 - RSL 总成	零件号	把手
RSL5000TK	前端盖扭矩夹具、内六角扳手夹具 - RSL 总成	L4386	说明, 把手, RSL
RSL8000TK	前端盖扭矩夹具、内六角扳手夹具 - RSL 总成	A0114A0001AA	总成, 把手, RSL1500, 一个把手, 方驱型
RSL11000TK	前端盖扭矩夹具、内六角扳手夹具 - RSL 总成	A0114A0001AB	总成, 把手, RSL1500, 两个把手, 方驱型
RSL19000TK	前端盖扭矩夹具、内六角扳手夹具 - RSL 总成	A0114B0001AA	总成, 把手, RSL1500, 一个把手, 六角驱动型
RSL28000TK	前端盖扭矩夹具、内六角扳手夹具 - RSL 总成	A0214A0001AA	总成, 把手, RSL3000, 一个把手, 方驱型
零件号	液压快速连接	A0214A0001AB	总成, 把手, RSL3000, 两个把手, 方驱型
002NA0026570	CEJN117 转换接头, 700 Bar, 1/4 NPT(母)高流量	A0214B0001AA	总成, 把手, RSL3000, 一个把手, 六角驱动型
002NB0026569	CEJN117 快速接头, 700 Bar, 1/4 NPT(母)高流量	A0314A0000AB	总成, 把手, RSL5000, 两个把手, 方驱型
002NA0026515	Parker 转换接头, 3010-2, 700 Bar, 1/4 NPT(母)	A0314B0000AA	总成, 把手, RSL5000, 一个把手, 六角驱动型
002NB0026516	Parker 转换接头, 3010-2, 700 Bar, 1/4 NPT(公)	A0414A0000AB	总成, 把手, RSL8000, 两个把手, 方驱型
零件号	旋转 - 液压 - 双通	A0414B0000AA	总成, 把手, RSL8000, 一个把手, 六角驱动型
002JM0028689	旋转, RSL1500, 1/8 NPT(阳) 至 1/4 NPT(阴)	A0514A0000AB	总成, 把手, RSL11000, 两个把手, 方驱型
002JM0028688	旋转, RSL3000 至 RSL28000, 1/4 NPT(阳) 至 1/4 NPT(阴)	A0514B0000AA	总成, 把手, RSL11000, 一个把手, 六角驱动型
002JM0028690	套件、RSL1500、旋转和转换接头	A0614C0000AA	总成, 把手, RSL19000, 一个把手, 正方形或六角驱动型
005JM0067396	套件、密封和卡环、RSL 旋转	A0714C0000AA	总成, 把手, RSL28000, 一个把手, 正方形或六角驱动型

表 6 - 备用套件、扳手附件和选项 [续]

零件号	扳手、扳手、前端盖
005BG0049282	夹具、RSL 总成-前端盖扳手、RSL1500
005BG0049285	夹具、RSL 总成-前端盖扳手、RSL3000
005BG0049286	夹具、RSL 总成-前端盖扳手、RSL5000
005BG0067200	夹具、RSL 总成-前端盖扳手、RSL8000
005BG0049288	夹具、RSL 总成-前端盖扳手、RSL11000
005BG0067202	夹具、RSL 总成-前端盖扳手、RSL19000
零件号	总成、盖、动力头花键
A0105B0002EB	总成、盖、花键、动力头、RSL1500、铝
A0205B0001EB	总成、盖、花键、动力头、RSL3000、铝
A0305B0002EB	总成、盖、花键、动力头、RSL5000、铝
A0405B0002EB	总成、盖、花键、动力头、RSL8000、铝
A0505B0002EB	总成、盖、花键、动力头、RSL11000、铝
A0605B0002EB	总成、盖、花键、动力头、RSL19000、铝
A0705B0002EB	总成、盖、花键、动力头、RSL28000、铝
005BG0049281	夹具、RSL 总成-密封安装、RSL1500
零件号	延长件、冲击式扳手、 动力头长和短螺栓
005BG0067204	夹具、RSL 总成-内六角扳手、RSL1500 螺栓
005BG0067205	夹具、RSL 总成-内六角扳手、RSL3000 螺栓
005BG0067206	夹具、RSL 总成-内六角扳手、RSL5000 螺栓
005BG0067207	夹具、RSL 总成-内六角扳手、RSL8000 、RSL11000、RSL19000 螺栓
005BG0067208	夹具、RSL 总成-球内六角扳手、RSL8000 、RSL11000、RSL19000 螺栓
005BG0067249	夹具、RSL 总成-内六角扳手、RSL19000 螺 栓
005BG0049289	夹具、RSL 总成-内六角扳手、RSL28000 螺 栓
零件号	其他 RSL 总成
005BG0024279	夹具、RSL 总成-拉钩装置销安装
005BG0049280	夹具、RSL 总成-导向销套管
005BG0049281	夹具、RSL 总成-密封安装、RSL1500

ENERPAC 
www.enerpac.com