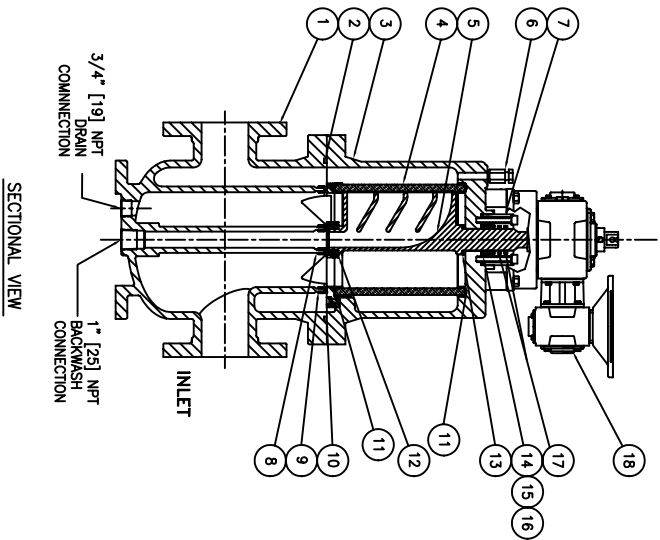
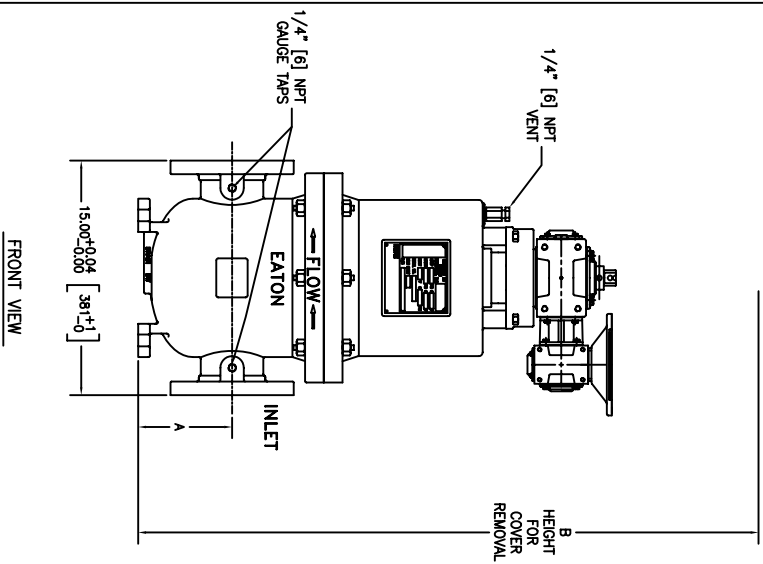
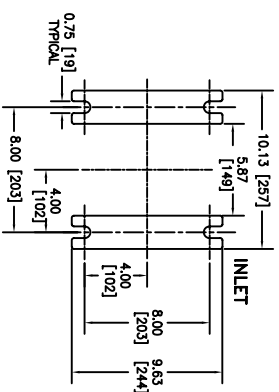


PIPE SIZE (NOMINAL)	DIMENSIONS		WEIGHT			PART NUMBER
	A IN. MM.	B IN. MM.	COVER LB. KG.	DRY LB. KG.	WET LB. KG.	
2" (50mm)	6 / 153	42.50 / 1080	156 / 71	302 / 137	356 / 162	25960200063
3" (75mm)	6 / 153	42.50 / 1080	156 / 71	316 / 144	371 / 169	25960300063
4" (100mm)	7 / 178	44 / 1118	156 / 71	324 / 147	384 / 175	25960400063



NO.	PART NAME	MATERIAL
1	BODY	A126 GRADE B
2	COVER	A126 GRADE B
3	GEARPELLER SUPPORT	316 STAINLESS STEEL
4	STRAINING ELEMENT	316 STAINLESS STEEL
5	BACKWASH ARM-SHAFT	316 STAINLESS STEEL
6	VENT	BRASS
7	IDL™ HOUSING	316 STAINLESS STEEL
8	INNER SEAL	BUNA-N
9	OUTER SEAL	BUNA-N
10	GIRTH O-RING	BUNA-N
11	ELEMENT O-RING	BUNA-N
12	LOWER BUSHING	COMPOSITE
13	SHAFT WASHER	NYLON
14	SHAFT GASKET	BUNA-N
15	UPPER BUSHING RING	TEFLON
16	UPPER BUSHING	COMPOSITE
17	SHAFT SEAL RINGS	BUNA-N
18	GEAR REDUCER	CAST IRON

- NOTES:
1. ALL FLANGE CONNECTIONS PER ASME/ASTM B16.1.
 2. FOR REPLACEMENT PARTS, MODEL NO., SIZE AND SERIAL NUMBER FROM THE STRAINER NAMEPLATE MUST BE FURNISHED.
 3. DESIGN PRESSURE: 200 PSI @ 150° F [13.8 BAR @ 65.5° C]



EATON FILTRATION, LLC
 500 PRINCIPAL AVENUE, EDENHEIM, NEW JERSEY 07207

MODEL 2596 AUTOMATIC STRAINER
 PN16 FLANGE CAST IRON
 SIZES 2" (50 mm) THROUGH 4" (100 mm)

CERTIFIED FOR:
 P.O. NO.:
 REG. NO.:
 QUOTE NO.:
 TAG NO.:
 NUMBER OF UNITS:
 STRAINING ELEMENT:

FORM	DATE	BY	DATE	REV
B	6/8/07	LH	6/8/07	A

SD2596C4

UNAUTHORIZED USE, MANUFACTURE OR REPRODUCTION IN WHOLE OR IN PART IS PROHIBITED. DRAWING DESIGN AND OR OTHER INTELLECTUAL PROPERTY OF EATON FILTRATION, LLC

ELECTRONIC FILE NAME: SD2596C4.DWG
 REF: EDR E524 DATE: 06/08/07