

Pipe surface resistance thermometer
Miniature design, model TR57-M

EN

Rohroberflächen-Widerstandsthermometer
Miniaturausführung, Typ TR57-M

DE



Model TR57-M

WIKAI

Part of your business

EN	Operating instructions model TR57-M	Page	3 - 26
-----------	--	-------------	---------------

DE	Betriebsanleitung Typ TR57-M	Seite	27 - 50
-----------	-------------------------------------	--------------	----------------

Further languages can be found at www.wika.com.

© 03/2017 WIKA Alexander Wiegand SE & Co. KG
All rights reserved. / Alle Rechte vorbehalten.
WIKA® is a registered trademark in various countries.
WIKA® ist eine geschützte Marke in verschiedenen Ländern.

Prior to starting any work, read the operating instructions!
Keep for later use!

Vor Beginn aller Arbeiten Betriebsanleitung lesen!
Zum späteren Gebrauch aufbewahren!

Contents

1. General information	4
2. Design and function	5
3. Safety	8
4. Transport, packaging and storage	12
5. Commissioning, operation	13
6. Faults	18
7. Maintenance, cleaning and calibration	19
8. Dismounting, return and disposal	21
9. Specifications	23
Appendix: EU declaration of conformity	26

Declarations of conformity can be found online at www.wika.com.

1. General information

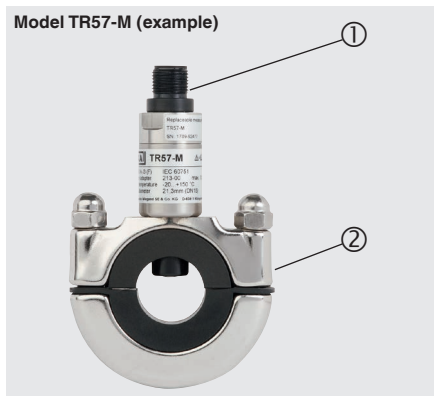
1. General information

- The pipe surface resistance thermometers described in these operating instructions have been manufactured using state-of-the-art technology.
- These operating instructions contain important information on handling the instrument. Working safely requires that all safety instructions and work instructions are observed.
- Observe the relevant local accident prevention regulations and general safety regulations for the instrument's range of use.
- Skilled personnel must have carefully read and understood the operating instructions prior to beginning any work.
- Subject to technical modifications.
- Further information:
 - Internet address: www.wika.de / www.wika.com
 - Application consultant: Tel.: +49 9372 132-0
Fax: +49 9372 132-406
info@wika.de

2. Design and function

2. Design and function

2.1 Overview



EN

- ① Electrical connection (here: M12 x 1 circular connector)
- ② Process connection

2.2 Description

The model TR57-M pipe surface resistance thermometer consists of a temperature probe and a clamping fixture (pipe adapter).

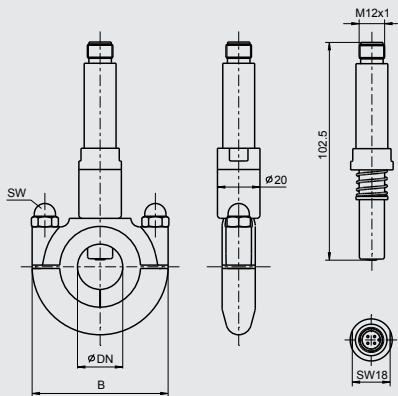
Any change in the temperature causes a change in the resistance of the sensor in the temperature probe. This change can be measured directly or can, optionally, be converted via a temperature transmitter into a 4 ... 20 mA signal proportional to the temperature.

The clamping fixture serves to adapt the temperature probe to the process and features a detachable connection which enables the dismantling of the temperature probe. The entire measuring chain (sensor, transmitter if required, connection cable) can be calibrated on site, without having to disconnect the electrical connections.

2. Design and function

Overview of the process connections, clamping fixture variants

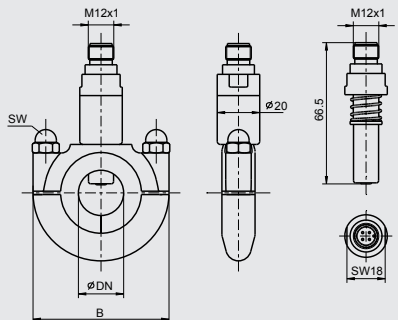
With transmitter - Process temperature range -20 ... +150 °C (-4 ... +302 °F)



14212064.01

With transmitter - Process temperature range -20 ... +100 °C (-4 ... +212 °F),
max. 150 °C (302 °F) for 30 min

Without transmitter - Process temperature range -20 ... +150 °C (-4 ... +302 °F)



14212064.01

2. Design and function

Overview of pipe adapters with pipe diameter

Adapter designation	Pipe outer Ø (mm)	Nominal width of pipe (mm/inch)	Standard	Dimensions (mm)	
				B	SW
120	12.0	DN 10	EN 10357 series B	51	11
130	13.0	DN 10	EN 10357 series A	51	11
130	12.7	½"	DIN 11866 row C / ASME BPE	51	11
135	13.5	DN 8	DIN 11866 row B (ISO 1127)	51	11
172	17.2	DN 10	DIN 11866 row B (ISO 1127)	51	11
180	18.0	DN 15	EN 10357 series B	51	11
190	19.0	DN 15	EN 10357 series A	51	11
190	19.0	¾"	DIN 11866 row C / ASME BPE	51	11
213	21.3	DN 15	DIN 11866 row B	64	11
230	23.0	DN 20	EN 10357 series A	64	11
254	25.4	1"	DIN 11866 row C / ASME BPE	64	11
269	26.9	DN 20	DIN 11866 row B	64	11
280	28.0	DN 25	EN 10357 series B	64	11
290	29.0	DN 25	EN 10357 series A	64	11
337	33.7	DN 25	DIN 11866 row B	64	11
337	34.0	DN 32	EN 10357 series B	64	11
350	35.0	DN 32	EN 10357 series A	64	11
381	38.1	1 ½"	DIN 11866 row C / ASME BPE	92	14
400	40.0	DN 40	EN 10357 series B	92	14
410	41.0	DN 40	EN 10357 series A	92	14
424	42.4	DN 32	DIN 11866 row B	92	14
483	48.3	DN 40	DIN 11866 row B	92	14
508	50.8	2"	DIN 11866 row C / ASME BPE	92	14
520	52.0	DN 50	EN 10357 series B	92	14
530	53.0	DN 50	EN 10357 series A	92	14
603	60.3	DN 50	DIN 11866 row B	133	14
635	63.5	2 ½"	DIN 11866 row C / ASME BPE	133	14
700	70.0	DN 65	EN 10357 series A	133	14
761	76.1	DN 65	DIN 11866 row B	133	14
761	76.2	3"	DIN 11866 row C / ASME BPE	133	14

2. Design and function / 3. Safety

Adapter designation	Pipe outer Ø (mm)	Nominal width of pipe (mm/inch)	Standard	Dimensions (mm)	
				B	SW
850	85.0	DN 80	EN 10357 series A	133	14
889	88.9	DN 80	DIN 11866 row B	133	14

EN

2.3 Scope of delivery

Cross-check scope of delivery with delivery note.

3. Safety

3.1 Explanation of symbols



WARNING!

... indicates a potentially dangerous situation that can result in serious injury or death, if not avoided.



CAUTION!

... indicates a potentially dangerous situation that can result in light injuries or damage to equipment or the environment, if not avoided.



DANGER!

... identifies hazards caused by electrical power. Should the safety instructions not be observed, there is a risk of serious or fatal injury.



WARNING!

... indicates a potentially dangerous situation that can result in burns, caused by hot surfaces or liquids, if not avoided.



Information

... points out useful tips, recommendations and information for efficient and trouble-free operation.

3.2 Intended use

The model TR57-M resistance thermometer has been specifically designed for the measurement of temperatures on pipes, in the range of -20 ... +150 °C (-4 ... +302 °F).

Neither repairs nor structural modifications are permitted, and any would void the guarantee and the respective certification. The manufacturer shall not be responsible for constructional modifications after delivery of the instruments.

The instrument has been designed and built solely for the intended use described here, and may only be used accordingly.

The technical specifications contained in these operating instructions must be observed. Improper handling or operation of the instrument outside of its technical specifications requires the instrument to be taken out of service immediately and inspected by an authorised WIKA service engineer.

The manufacturer shall not be liable for claims of any type based on operation contrary to the intended use.

3.3 Responsibility of the operator

The instrument is used in the industrial sector. The operator is therefore responsible for legal obligations regarding safety at work.

The safety instructions within these operating instructions, as well as the safety, accident prevention and environmental protection regulations for the application area must be maintained.

The operator is obliged to maintain the product label in a legible condition.

3. Safety

3.4 Personnel qualification



WARNING!

Risk of injury should qualification be insufficient

Improper handling can result in considerable injury and damage to equipment.

- ▶ The activities described in these operating instructions may only be carried out by skilled electrical personnel who have the qualifications described below.

Skilled electrical personnel

Skilled electrical personnel are understood to be personnel who, based on their technical training, know-how and experience as well as their knowledge of country-specific regulations, current standards and directives, are capable of carrying out work on electrical systems and independently recognising and avoiding potential hazards. The skilled electrical personnel have been specifically trained for the work environment they are working in and know the relevant standards and regulations. The skilled electrical personnel must comply with current legal accident prevention regulations.

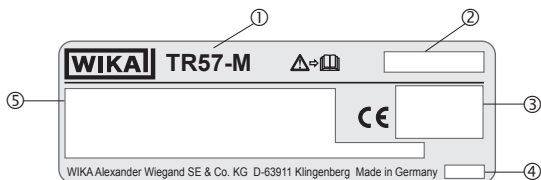
Operating personnel

The personnel trained by the operator are understood to be personnel who, based on their education, knowledge and experience, are capable of carrying out the work described and independently recognising potential hazards.

3. Safety

3.5 Labelling, safety marks

Product label (example)



Product label for measuring insert



- ① Model
- ② Serial number
- ③ Electrical connection
- ④ Date of manufacture (year-month)
- ⑤ Information on version (measuring element, output signal, measuring range...)
 - With transmitter and 4 ... 20 mA output signal
 - With direct sensor output with Pt100



Before mounting and commissioning the instrument, ensure you read the operating instructions!

4. Transport, packaging and storage

4. Transport, packaging and storage

4.1 Transport

Check the instrument for any damage that may have been caused by transport. Obvious damage must be reported immediately.

EN



CAUTION!

Damage through improper transport

With improper transport, a high level of damage to property can occur.

- ▶ When unloading packed goods upon delivery as well as during internal transport, proceed carefully and observe the symbols on the packaging.
- ▶ With internal transport, observe the instructions in chapter 4.2 "Packaging and storage".

If the instrument is transported from a cold into a warm environment, the formation of condensation may result in instrument malfunction. Before putting it back into operation, wait for the instrument temperature and the room temperature to equalise.

4.2 Packaging and storage

Do not remove packaging until just before mounting.

Permissible conditions at the place of storage:

Storage temperature: -20 ... +60 °C (-40 ... +185 °F)

Humidity: 70 % r. h.

Avoid exposure to the following factors:

- Direct sunlight or proximity to hot objects
- Mechanical vibration, mechanical shock (putting it down hard)
- Soot, vapour, dust and corrosive gases

Store the instrument in its original packaging in a location that fulfils the conditions listed above. If the original packaging is not available, pack and store the instrument as described below:

1. Place the instrument, along with shock-absorbent material, in the packaging.
2. If stored for a prolonged period of time (more than 30 days), place a bag containing a desiccant inside the packaging.

5. Commissioning, operation



Maximum permissible temperatures:

- At the case with transmitter: 60 °C (140 °F)
- At the case without transmitter: max. 85 °C (185 °F)
- Process temperature
 - Without transmitter: -20 ... +150 °C (-4 ... +302 °F)
 - With transmitter: -20 ... +100 °C (-4 ... +212 °F)
short time 150 °C (302 °F) < 30 min
- Special version with transmitter:
-20 ... +150 °C (-4 ... +302 °F)

5.1 Mounting

The model TR57-M pipe surface resistance thermometer consists of a temperature probe (measuring insert) and a clamping fixture (pipe adapter). The pipe adapter is available in four sizes and is adapted to the process-side pipe diameter (DN 10 ... DN 80) via a temperature-resistant silicon lining.

The pipe diameter should only deviate from the nominal diameter of the silicon lining by a maximum of ± 1 %.

Before mounting the adapter, clean the pipe from the outside. There must be no chips or the like between the probe and the pipe, since, otherwise, the contact surface of the probe will not lie flat and thus the accuracy will be reduced.

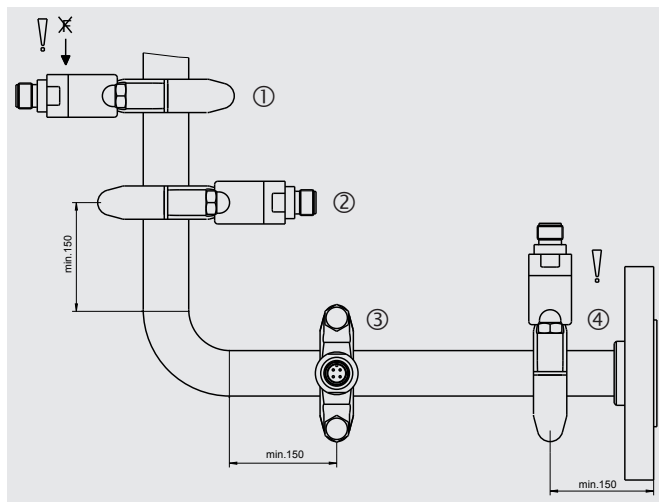
When using thermal compound, make sure that it remains permanently paste-like and does not become cured.

Mount at least 15 cm away from any pipe elbows, pipe reductions and radial weld seams. With axially welded pipes, the probe must not be placed on the weld seam. Also, maintain a minimum clearance of 15 cm from other fitted sensors in contact with the media. Fit the rear pipe bracket of the probe case facing outwards in order to eliminate a measuring error through the the flow characteristics or through bubble formation. With pipes that are not filled completely, mount the probe in the area wetted by liquid.

5. Commissioning, operation

Do not cause any uneven loading by hanging heavy items on or through connection cables strained tightly. It must be ensured that the probe pad is mounted with flat contact. Tighten the cap nuts of the two adapter components with the maximum permissible torque, so that the silicon lining is not deformed and the piping is not affected negatively. Take care that the cap nuts are evenly tightened with respect to each other.

EN



- ① **Ideal** mounting position, since no air bubbles, deposits and increased warming of the pipes falsify the measuring results.
- ② **Risky** mounting position, since the increased heating of the pipe can lead to a falsification of the measuring result.
- ③ **Ideal** mounting position, so long as no air bubble formation occurs.
- ④ **Risky** mounting position, since the increased heating of the pipe and the connection flange can lead to a falsification of the measuring result.

5. Commissioning, operation

Ground the case against electromagnetic fields and electrostatic charge. It is not necessary to connect it separately to the equipotential bonding system, provided that it has a fixed and secure metallic contact to the pipes, and that these are connected to the equipotential bonding system. When there is a non-metallic contact with the piping, the instrument must be provided with equipotential bonding.

EN

5.1.1 Tightening torque for the M12 mating connector or the M12 adapter

Select a tightening torque of 0.6 Nm.

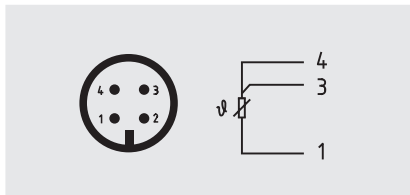
5.1.2 Tightening torque for union nut of pipe adapter

Select a tightening torque of 0.5 ... 1.0 Nm.

5.2 Electrical connection

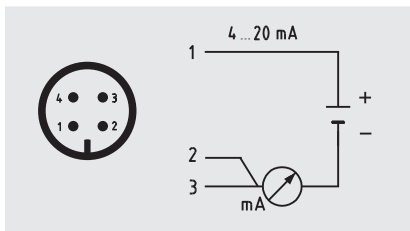
Depending on the type of application, the electrical connection must be protected from mechanical damage. The electrical connection is made via an M12 x 1 circular connector (4-pin).

■ Output signal Pt100



5. Commissioning, operation

■ Output signal 4 ... 20 mA



Pin	Signal	Description
1	L+	10 ... 30 V
2	L-	0 V
3	L-	0 V
4	C	do not use



DANGER!

Danger to life caused by electric current

Upon contact with live parts, there is a direct danger to life.

- ▶ The instrument may only be installed and mounted by skilled personnel.
- ▶ Operation using a defective power supply unit (e.g. short circuit from the mains voltage to the output voltage) can result in life-threatening voltages at the instrument!
- ▶ Carry out mounting work only with power disconnected.

This is protection class 3 equipment for connection at low voltages, which are separated from the power supply or voltages of greater than AC 50 V or DC 120 V. Preferably, a connection to an SELV or PELV circuit is recommended; alternatively protective measures from HD 60346-4-41 (DIN VDE 0100-410).

5. Commissioning, operation

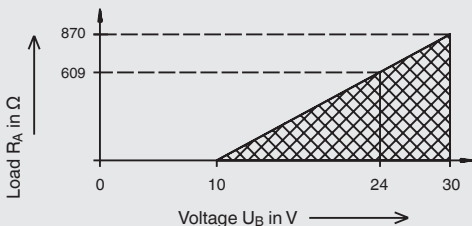
Alternatively for North America

The connection can be made in line with “Class 2 Circuits” or “Class 2 Power Units” in accordance with CEC (Canadian Electrical Code) or NEC (National Electrical Code).

EN

Load diagram

The permissible load R_A depends on the loop supply voltage.



$$R_A \leq (U_B - 10 \text{ V}) / 23 \text{ mA with } R_A \text{ in } \Omega \text{ and } U_B \text{ in V}$$

5.3 Behaviour of the electrical output signal

■ Internal instrument error

If an internal instrument error occurs, the error signalling drives upscale to approx. 22 mA.

■ Medium temperature outside the span

If the medium temperature exceeds that configured within the transmitter, the transmitter will operate in a linear fashion within the following limits: 3.7 mA (MRS); 22 mA (MRE).

6. Faults

6. Faults



CAUTION! **Physical injuries and damage to property and the environment**

If faults cannot be eliminated by means of the listed measures, the instrument must be taken out of operation immediately.

- ▶ Ensure that there is no longer any signal present and protect against being put into operation accidentally.
- ▶ Contact the manufacturer.
- ▶ If a return is needed, please follow the instructions given in chapter 8.2 "Return".



WARNING! **Physical injuries and damage to property and the environment caused by hazardous media**

Upon contact with hazardous media (e.g. oxygen, acetylene, flammable or toxic substances), harmful media (e.g. corrosive, toxic, carcinogenic, radioactive), and also with refrigeration plants and compressors, there is a danger of physical injuries and damage to property and the environment.

Should a failure occur, aggressive media with extremely high temperature and under high pressure or vacuum may be present at the instrument.

- ▶ For these media, in addition to all standard regulations, the appropriate existing codes or regulations must also be followed.



For contact details see chapter 1 "General information" or the back page of the operating instructions.

Faults	Causes	Measures
No signal/cable break	Mechanical load too high or overtemperature	Replace the probe with a suitable version
Erroneous measured values	Sensor drift caused by overtemperature	Replace the probe with a suitable version

6. Faults / 7. Maintenance, cleaning and calibration

Faults	Causes	Measures
Erroneous measured values (too low)	Entry of moisture into cable	Use the appropriate IP protection
Erroneous measured values and response times too long	Wrong mounting geometry or heat dissipation too high	The temperature-sensitive area of the sensor must be in direct contact with the pipe, and surface measurements must be ungrounded
Display of measured value jumps	Cable break in connection cable or loose contact caused by mechanical overload	Replace the probe or use thicker conductor cross-section
Signal interference	Stray currents caused by electric fields or earth circuits	Use of shielded connection leads, increase in the distance to motors and power lines
	Earth circuits	Elimination of potentials, use of galvanically isolated barriers or transmitters

EN

7. Maintenance, cleaning and calibration



For contact details see chapter 1 “General information” or the back page of the operating instructions.

7.1 Maintenance

The resistance thermometers described here require absolutely no maintenance and contain no components which could be repaired or replaced.

Repairs must only be carried out by the manufacturer.

7. Maintenance, cleaning and calibration

7.2 Cleaning



CAUTION!

Physical injuries and damage to property and the environment

Improper cleaning may lead to physical injuries and damage to property and the environment. Residual media in the dismantled instrument can result in a risk to persons, the environment and equipment.

- ▶ Carry out the cleaning process as described below.
- ▶ Prior to cleaning, properly disconnect the instrument.
- ▶ Use the required protective equipment (depending on the application; the thermometer itself is basically not dangerous).
- ▶ Clean the instrument with a moist cloth.
Electrical connections must not come into contact with moisture!
- ▶ Beware of material resistance with cleaning agents.



CAUTION!

Damage to the instrument

Improper cleaning may lead to damage to the instrument!

- ▶ Do not use any aggressive cleaning agents.
- ▶ Do not use any pointed and hard objects for cleaning.
- ▶ Wash or clean the dismantled instrument, in order to protect persons and the environment from exposure to residual media.

7.3 Calibration, recalibration

It is recommended that the measuring insert is recalibrated at regular intervals of approx. 24 months. This period can reduce, depending on the particular application. The calibration can be carried out by the manufacturer, as well as on site by qualified skilled personnel with calibration instruments.

In line with the intended use of a pipe-mounted probe, the testing should be carried out on controlled, heated reference surface (dry calibration).

7. ... / 8. Dismounting, return and disposal

A wet calibration (e.g. in an oil bath) is possible in principle, but is not recommended since the immersion method differs from the application and the maximum permissible ambient temperature.

EN

8. Dismounting, return and disposal

8.1 Dismounting



WARNING!

Physical injuries and damage to property and the environment through residual media

Upon contact with hazardous media (e.g. oxygen, acetylene, flammable or toxic substances), harmful media (e.g. corrosive, toxic, carcinogenic, radioactive), and also with refrigeration plants and compressors, there is a danger of physical injuries and damage to property and the environment.

- ▶ Before storage of the dismantled instrument (following use) wash or clean it, in order to protect persons and the environment from exposure to residual media.
- ▶ Use the required protective equipment (depending on the application; the thermometer itself is basically not dangerous).
- ▶ Observe the information in the material safety data sheet for the corresponding medium.



WARNING!

Risk of burns

During dismantling there is a risk of dangerously hot surfaces.

- ▶ Let the instrument cool down sufficiently before dismantling it!

8. Dismounting, return and disposal

8.2 Return

Strictly observe the following when shipping the instrument:

All instruments delivered to WIKA must be free from any kind of hazardous substances (acids, bases, solutions, etc.) and must therefore be cleaned before being returned.



WARNING!

Physical injuries and damage to property and the environment through residual media

Residual media in the dismantled instrument can result in a risk to persons, the environment and equipment.

- ▶ With hazardous substances, attach the material safety data sheet for the corresponding medium.
- ▶ Clean the instrument, see chapter 7.2 "Cleaning".

When returning the instrument, use the original packaging or a suitable transport packaging.

To avoid damage:

1. Place the instrument, along with shock-absorbent material, in the packaging.
Place shock-absorbent material evenly on all sides of the transport packaging.
2. If possible, place a bag containing a desiccant inside the packaging.
3. Label the shipment as carriage of a highly sensitive measuring instrument.



Information on returns can be found under the heading "Service" on our local website.

8.3 Disposal

Incorrect disposal can put the environment at risk.

Dispose of instrument components and packaging materials in an environmentally compatible way and in accordance with the country-specific waste disposal regulations.

9. Specifications

9. Specifications

Thermometer with transmitter and 4 ... 20 mA output signal

Process temperature range	<ul style="list-style-type: none">■ Standard: -20 ... +100 °C (-4 ... +212 °F), max. 150 °C (302 °F) for 30 min ¹⁾■ Extended: -20 ... +150 °C (-4 ... +302 °F) ¹⁾, only for transmitter measuring range 0 ... 150 °C
Connection method	3-wire
Measurement accuracy of the overall instrument	2.5 % of full scale value ²⁾
Measuring range of the transmitter	<ul style="list-style-type: none">■ -10 ... +50 °C■ 0 ... 100 °C■ 0 ... 150 °C The measuring range is fixed.
Analogue output	4 ... 20 mA, 2-wire
Power supply U_B	DC 10 ... 30 V
Response time	approx. $t_{90} = 10$ s ²⁾
Switch-on delay, electrical	Max. 1 s (time before the first measured value)
Current signal for error signalling	Upscale approx. 22 mA
Load R_A	$R_A \leq (U_B - 10 \text{ V}) / 23 \text{ mA}$ with R_A in Ω and U_B in V
Electrical connection	M12 x 1 circular connector (4-pin)
Power supply input	Protected against reverse polarity
Electromagnetic compatibility (EMC)	EN 61326 emission (group 1, class B) and interference immunity (industrial application) ³⁾

Readings in % refer to the measuring span

- 1) The temperature transmitter should therefore be protected from temperatures over 60 °C (140 °F).
- 2) Measuring results are dependent upon the individual mounting situation
- 3) Use resistance thermometers with shielded cable, and, if the lines are longer than 30 m or leave the building, ground the shield on at least one end of the lead. The instrument must be operated grounded.

9. Specifications

Thermometer with direct sensor output with Pt100

Process temperature range	-20 ... +150 °C (-4 ... +302 °F)
Measuring element	Pt100 (measuring current max. 10 mA, 0.3 ... 1 mA recommended)
Temperature at the connector	Max. 85 °C (185 °F)
Connection method	3-wire ³⁾
Tolerance value of the measuring element per IEC 60751	Class A ²⁾
Measurement accuracy of the overall instrument	2.5 % of full scale value ²⁾
Response time	approx. $t_{90} = 10 \text{ s}$ ²⁾
Electrical connection	M12 x 1 circular connector (4-pin)

For detailed specifications for Pt sensors, see Technical information IN 00.17 at www.wika.com.

Ambient conditions

Ambient/storage temperature range	Without transmitter: -20 ... +85 °C (-4 ... +185 °F) With transmitter: -20 ... +60 °C (-4 ... +140 °F)
Maximum permissible humidity per IEC 60068-2-30 var. 2	70 % r. h. ⁴⁾
Ingress protection	IP67 per IEC/EN 60529

Measuring insert

Spring	Stainless steel 1.4310
Probe insert	PEEK
Sensor tip	935 silver
M12 circular connector	PA / gold-plated contacts
Weight	20 g

Readings in % refer to the measuring span

- 1) The temperature transmitter should therefore be protected from temperatures over 60 °C (140 °F).
- 2) Measuring results are dependent upon the individual mounting situation
- 3) Use resistance thermometers with shielded cable, and, if the lines are longer than 30 m or leave the building, ground the shield on at least one end of the lead. The instrument must be operated grounded.
- 4) Only with M12 circular connector fitted or during storage with M12 protection cap fitted

9. Specifications

Process connection	
Pipe adapter	Stainless steel 1.4405
Weight	
■ Size 1	120 g
■ Size 2	170 g
■ Size 3	395 g
■ Size 4a, 4b	955 g
Case	Stainless steel 1.4305
Adapter insert	Silicone HTV/PTFE

EN

For further specifications see WIKA data sheet TE 60.57 and the order documentation.



EN

EU-Konformitätserklärung EU Declaration of Conformity

Dokument Nr.: 14217602.01
Document No.:

Wir erklären in alleiniger Verantwortung, dass die mit CE gekennzeichneten Produkte
We declare under our sole responsibility that the CE marked products

Typenbezeichnung: TR57-M
Type Designation:

Beschreibung: Rohroberflächen-Widerstandsthermometer zum Aufklemmen
Description: Clamp-on temperature sensor

gemäß gültigem Datenblatt: TE 60.57
according to the valid data sheet:

die wesentlichen Schutzanforderungen der folgenden Richtlinien erfüllen: Harmonisierte Normen:
comply with the essential protection requirements of the directives: Harmonized standards:

2011/65/EU Gefährliche Stoffe (RoHS) Hazardous substances (RoHS) EN 50581:2012

2014/30/EU Elektromagnetische Verträglichkeit (EMV) ⁽¹⁾ Electromagnetic Compatibility (EMC) ⁽¹⁾ EN 61326-1:2013
EN 61326-2-3:2013

⁽¹⁾ Nur mit Ausgangssignal 4 ... 20 mA.
With analogue output signal 4 ... 20 mA only.

Unterszeichnet für und im Namen von / Signed for and on behalf of

WIKAL Alexander Wiegand SE & Co. KG

Klingenberg, 2017-03-08

Stefan Heidinger, Vice President Electrical
Temperature Measurement

Franz-Josef Vogel, Executive Vice President
Process Instrumentation

WIKAL Alexander Wiegand SE & Co. KG
Alexander-Wiegand-Strasse 30
63011 Klingenberg
Germany

Tel. +49 9372 132-0
Fax +49 9372 132-406
E-Mail: info@wika.de
www.wika.de

Kommanditgesellschaft: Sitz Klingenberg –
Amtsgericht Aschaffenburg HRA 1819
Komplementärin: WIKAL Verwaltung SE & Co. KG –
Sitz Klingenberg – Amtsgericht Aschaffenburg
HRA 6665

Komplementärin:
WIKAL International SE - Sitz Klingenberg -
Amtsgericht Aschaffenburg HRB 10505
Vorstand: Alexander Wiegand
Vorsitzender des Aufsichtsrats: Dr. Max Egl

Inhalt

1. Allgemeines	28
2. Aufbau und Funktion	29
3. Sicherheit	32
4. Transport, Verpackung und Lagerung	36
5. Inbetriebnahme, Betrieb	37
6. Störungen	42
7. Wartung, Reinigung und Kalibrierung	43
8. Demontage, Rücksendung und Entsorgung	45
9. Technische Daten	47
Anlage: EU-Konformitätserklärung	50

Konformitätserklärungen finden Sie online unter www.wika.de.

1. Allgemeines

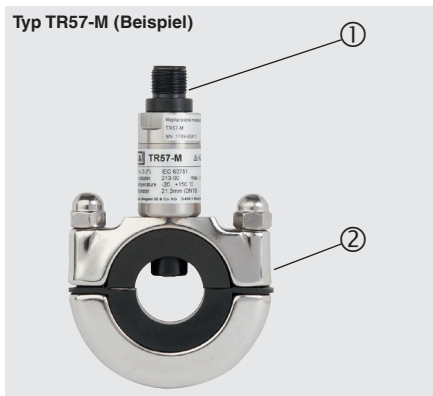
1. Allgemeines

- Das in der Betriebsanleitung beschriebenen Rohroberflächen-Widerstandsthermometer wird nach dem aktuellen Stand der Technik gefertigt.
- Diese Betriebsanleitung gibt wichtige Hinweise zum Umgang mit dem Gerät. Voraussetzung für sicheres Arbeiten ist die Einhaltung aller angegebenen Sicherheitshinweise und Handlungsanweisungen.
- Die für den Einsatzbereich des Gerätes geltenden örtlichen Unfallverhütungsvorschriften und allgemeinen Sicherheitsbestimmungen einhalten.
- Das Fachpersonal muss die Betriebsanleitung vor Beginn aller Arbeiten sorgfältig durchgelesen und verstanden haben.
- Technische Änderungen vorbehalten.
- Weitere Informationen:
 - Internet-Adresse: www.wika.de / www.wika.com
 - Anwendungsberater: Tel.: +49 9372 132-0
Fax: +49 9372 132-406
info@wika.de

DE

2. Aufbau und Funktion

2.1 Überblick



- ① Elektrischer Anschluss (hier: M12 x 1-Rundstecker)
- ② Prozessanschluss

2.2 Beschreibung

Das Rohroberflächen-Widerstandsthermometer Typ TR57-M besteht aus einem Temperaturfühler und einer Klemmvorrichtung (Rohradapter).

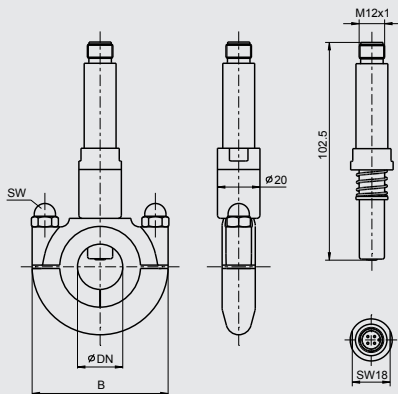
Eine Temperaturänderung bewirkt eine Änderung des Widerstandswertes des Sensors im Temperaturfühler. Diese Änderung kann direkt abgegriffen werden oder optional über einen Temperaturtransmitter in ein temperaturproportionales 4 ... 20 mA-Signal umgewandelt werden.

Die Klemmvorrichtung dient zur Prozessadaption des Temperaturfühlers und verfügt über eine lösbare Verbindung, welche den Ausbau des Temperaturfühlers ermöglicht. Die gesamte Messkette (Sensor, ggf. Transmitter, Anschlusskabel) kann vor Ort kalibriert werden ohne die elektrischen Anschlüsse abzuklemmen.

2. Aufbau und Funktion

Übersicht der Prozessanschlüsse, Klemmvorrichtungsvarianten

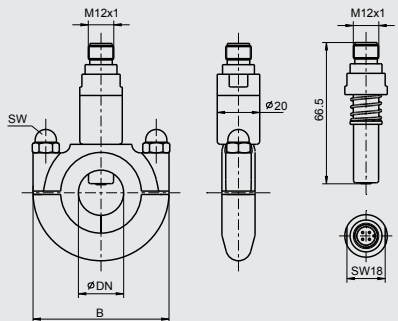
Mit Transmitter - Prozesstemperaturbereich -20 ... +150 °C (-4 ... +302 °F)



14212064.01

Mit Transmitter - Prozesstemperaturbereich -20 ... +100 °C (-4 ... +212 °F),
max. 150 °C (302 °F) für 30 min

Ohne Transmitter - Prozesstemperaturbereich -20 ... +150 °C (-4 ... +302 °F)



14212064.01

DE

2. Aufbau und Funktion

Übersicht der Rohradapter mit Rohrdurchmesser

Adapter- bezeich- nung	Rohr- außen-Ø (mm)	Rohrinn- weite (mm/inch)	Norm	Abmessun- gen (mm)	
				B	SW
120	12,0	DN 10	EN 10357 Serie B	51	11
130	13,0	DN 10	EN 10357 Serie A	51	11
130	12,7	½"	DIN 11866 Reihe C / ASME BPE	51	11
135	13,5	DN 8	DIN 11866 Reihe B (ISO 1127)	51	11
172	17,2	DN 10	DIN 11866 Reihe B (ISO 1127)	51	11
180	18,0	DN 15	EN 10357 Serie B	51	11
190	19,0	DN 15	EN 10357 Serie A	51	11
190	19,0	¾"	DIN 11866 Reihe C / ASME BPE	51	11
213	21,3	DN 15	DIN 11866 Reihe B	64	11
230	23,0	DN 20	EN 10357 Serie A	64	11
254	25,4	1"	DIN 11866 Reihe C / ASME BPE	64	11
269	26,9	DN 20	DIN 11866 Reihe B	64	11
280	28,0	DN 25	EN 10357 Serie B	64	11
290	29,0	DN 25	EN 10357 Serie A	64	11
337	33,7	DN 25	DIN 11866 Reihe B	64	11
337	34,0	DN 32	EN 10357 Serie B	64	11
350	35,0	DN 32	EN 10357 Serie A	64	11
381	38,1	1 ½"	DIN 11866 Reihe C / ASME BPE	92	14
400	40,0	DN 40	EN 10357 Serie B	92	14
410	41,0	DN 40	EN 10357 Serie A	92	14
424	42,4	DN 32	DIN 11866 Reihe B	92	14
483	48,3	DN 40	DIN 11866 Reihe B	92	14
508	50,8	2"	DIN 11866 Reihe C / ASME BPE	92	14
520	52,0	DN 50	EN 10357 Serie B	92	14
530	53,0	DN 50	EN 10357 Serie A	92	14
603	60,3	DN 50	DIN 11866 Reihe B	133	14
635	63,5	2 ½"	DIN 11866 Reihe C / ASME BPE	133	14
700	70,0	DN 65	EN 10357 Serie A	133	14
761	76,1	DN 65	DIN 11866 Reihe B	133	14
761	76,2	3"	DIN 11866 Reihe C / ASME BPE	133	14

2. Aufbau und Funktion / 3. Sicherheit

Adapter- bezeich- nung	Rohr- außen-Ø (mm)	Rohrnenn- weite (mm/inch)	Norm	Abmessun- gen (mm)	
				B	SW
850	85,0	DN 80	EN 10357 Serie A	133	14
889	88,9	DN 80	DIN 11866 Reihe B	133	14

2.3 Lieferumfang

Lieferumfang mit dem Lieferschein abgleichen.

3. Sicherheit

3.1 Symbolerklärung



WARNUNG!

... weist auf eine möglicherweise gefährliche Situation hin, die zum Tod oder zu schweren Verletzungen führen kann, wenn sie nicht gemieden wird.



VORSICHT!

... weist auf eine möglicherweise gefährliche Situation hin, die zu geringfügigen oder leichten Verletzungen bzw. Sach- und Umweltschäden führen kann, wenn sie nicht gemieden wird.



GEFAHR!

... kennzeichnet Gefährdungen durch elektrischen Strom. Bei Nichtbeachtung der Sicherheitshinweise besteht die Gefahr schwerer oder tödlicher Verletzungen.



WARNUNG!

... weist auf eine möglicherweise gefährliche Situation hin, die durch heiße Oberflächen oder Flüssigkeiten zu Verbrennungen führen kann, wenn sie nicht gemieden wird.



Information

... hebt nützliche Tipps und Empfehlungen sowie Informationen für einen effizienten und störungsfreien Betrieb hervor.

3.2 Bestimmungsgemäße Verwendung

Das Widerstandsthermometer Typ TR57-M wird speziell zur Messung von Temperaturen an Rohrleitungen im Bereich von $-20 \dots +150 \text{ }^{\circ}\text{C}$ ($-4 \dots +302 \text{ }^{\circ}\text{F}$).

Reparaturen sowie bauliche Veränderungen sind nicht zulässig und führen zur Erlöschung der Garantie und der jeweiligen Zulassung. Bauliche Veränderungen nach Auslieferung der Geräte obliegen nicht in der Verantwortung des Herstellers.

Das Gerät ist ausschließlich für den hier beschriebenen bestimmungsgemäßen Verwendungszweck konzipiert und konstruiert und darf nur dementsprechend verwendet werden.

Die technischen Spezifikationen in dieser Betriebsanleitung sind einzuhalten. Eine unsachgemäße Handhabung oder ein Betreiben des Gerätes außerhalb der technischen Spezifikationen macht die sofortige Stilllegung und Überprüfung durch einen autorisierten WIKA-Servicemitarbeiter erforderlich.

Ansprüche jeglicher Art aufgrund von nicht bestimmungsgemäßer Verwendung sind ausgeschlossen.

3.3 Verantwortung des Betreibers

Das Gerät wird im gewerblichen Bereich eingesetzt. Der Betreiber unterliegt daher den gesetzlichen Pflichten zur Arbeitssicherheit.

Die Sicherheitshinweise dieser Betriebsanleitung, sowie die für den Einsatzbereich des Gerätes gültigen Sicherheits-, Unfallverhütungs- und Umweltschutzvorschriften einhalten.

Der Betreiber ist verpflichtet das Typenschild lesbar zu halten.

3.4 Personalqualifikation



WARNUNG!

Verletzungsgefahr bei unzureichender Qualifikation

Unsachgemäßer Umgang kann zu erheblichen Personen- und Sachschäden führen.

- ▶ Die in dieser Betriebsanleitung beschriebenen Tätigkeiten nur durch Elektrofachpersonal nachfolgend beschriebener Qualifikation durchführen lassen.

DE

Elektrofachpersonal

Das Elektrofachpersonal ist aufgrund seiner fachlichen Ausbildung, Kenntnisse und Erfahrungen sowie Kenntnis der landesspezifischen Vorschriften, geltenden Normen und Richtlinien in der Lage, Arbeiten an elektrischen Anlagen auszuführen und mögliche Gefahren selbstständig zu erkennen und zu vermeiden. Das Elektrofachpersonal ist speziell für das Arbeitsumfeld, in dem es tätig ist, ausgebildet und kennt die relevanten Normen und Bestimmungen. Das Elektrofachpersonal muss die Bestimmungen der geltenden gesetzlichen Vorschriften zur Unfallverhütung erfüllen.

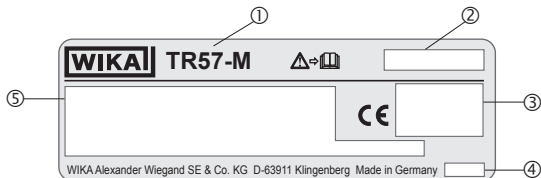
Bedienpersonal

Das vom Betreiber geschulte Personal ist aufgrund seiner Bildung, Kenntnisse und Erfahrungen in der Lage, die beschriebenen Arbeiten auszuführen und mögliche Gefahren selbstständig zu erkennen.

3. Sicherheit

3.5 Beschilderung, Sicherheitskennzeichnungen

Typenschild (Beispiel)



Typenschild für Messeinsatz



- ① Typ
- ② Seriennummer
- ③ Elektrischer Anschluss
- ④ Herstellungsdatum (Jahr-Monat)
- ⑤ Angaben zur Ausführung (Messelement, Ausgangssignal, Messbereich...)
 - Mit Messumformer und Ausgangssignal 4 ... 20 mA
 - Mit direktem Sensorausgang mit Pt100



Vor Montage und Inbetriebnahme des Gerätes unbedingt die Betriebsanleitung lesen!

4. Transport, Verpackung und Lagerung

4. Transport, Verpackung und Lagerung

4.1 Transport

Gerät auf eventuell vorhandene Transportschäden untersuchen.
Offensichtliche Schäden unverzüglich mitteilen.



VORSICHT!

Beschädigungen durch unsachgemäßen Transport

Bei unsachgemäßem Transport können Sachschäden in erheblicher Höhe entstehen.

- ▶ Beim Abladen der Packstücke bei Anlieferung sowie innerbetrieblichem Transport vorsichtig vorgehen und die Symbole auf der Verpackung beachten.
- ▶ Bei innerbetrieblichem Transport die Hinweise unter Kapitel 4.2 „Verpackung und Lagerung“ beachten.

Wird das Gerät von einer kalten in eine warme Umgebung transportiert, so kann durch Kondensatbildung eine Störung der Gerätefunktion eintreten. Vor einer erneuten Inbetriebnahme die Angleichung der Gerätetemperatur an die Raumtemperatur abwarten.

4.2 Verpackung und Lagerung

Verpackung erst unmittelbar vor der Montage entfernen.

Zulässige Bedingungen am Lagerort:

Lagertemperatur: -20 ... +60 °C (-40 ... +185 °F)

Feuchtigkeit: 70 % r. F.

Folgende Einflüsse vermeiden:

- Direktes Sonnenlicht oder Nähe zu heißen Gegenständen
- Mechanische Vibration, mechanischer Schock (hartes Aufstellen)
- Ruß, Dampf, Staub und korrosive Gase

Das Gerät in der Originalverpackung an einem Ort lagern, der die oben gelisteten Bedingungen erfüllt. Wenn die Originalverpackung nicht vorhanden ist, dann das Gerät wie folgt verpacken und lagern:

1. Das Gerät mit dem Dämmmaterial in der Verpackung platzieren.
2. Bei längerer Einlagerung (mehr als 30 Tage) einen Beutel mit Trocknungsmittel der Verpackung beilegen.

5. Inbetriebnahme, Betrieb



Maximal zulässige Temperaturen:

- Am Gehäuse mit Transmitter: 60 °C (140 °F)
- Am Gehäuse ohne Transmitter: max. 85 °C (185 °F)
- Prozesstemperatur
 - Ohne Transmitter: -20 ... +150 °C (-4 ... +302 °F)
 - Mit Transmitter: -20 ... +100 °C (-4 ... +212 °F)
kurzzeitig 150 °C (302 °F) < 30 min
- Sonderausführung mit Transmitter:
-20 ... +150 °C (-4 ... +302 °F)

DE

5.1 Montage

Das Rohroberflächen-Widerstandsthermometer Typ TR57-M besteht aus einem Temperaturfühler (Messeinsatz) und einer Klemmvorrichtung (Rohradapter). Der Rohradapter ist in vier Baugrößen erhältlich und wird über temperaturbeständige Silikoneinlagen an den prozesseseitigen Rohrdurchmesser (DN 10 ... DN 80) angepasst.

Der Rohrdurchmesser sollte maximal ± 1 % vom Nenndurchmesser der Silikoneinlage abweichen.

Vor der Montage des Adapters das Rohr von außen reinigen. Es dürfen sich keine Späne oder Ähnliches zwischen Fühler und Rohr befinden, da sonst die Kontaktfläche des Fühlers nicht plan aufliegt und es somit zu einer Verringerung der Genauigkeit kommt.

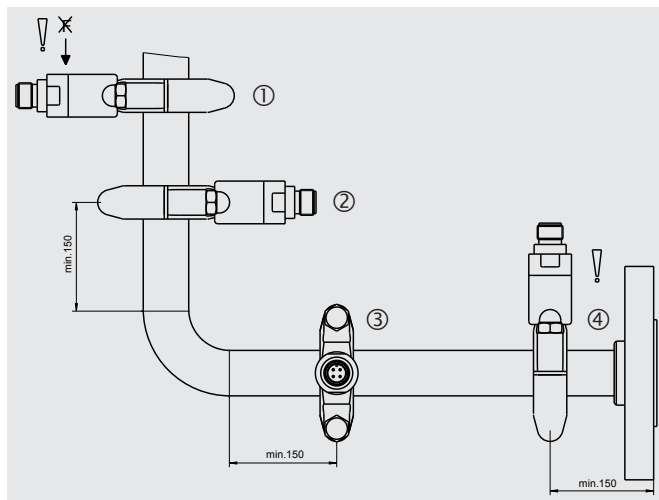
Beim Einsatz von Wärmeleitpaste darauf achten, dass diese dauerhaft pastös bleibt und nicht aushärtet.

Mindestens 15 cm von Rohrbögen, Rohrreduzierungen und radialen Schweißnähten entfernt montieren. Bei axial geschweißten Rohren darf der Fühler nicht auf der Schweißnaht aufgesetzt werden. Außerdem einen Mindestabstand von 15 cm zu anderen montierten Sensoren mit Medienkontakt einhalten. Hinter Rohrwinkeln das Fühlergehäuse außenliegend montieren, um einen Messfehler durch das Fließverhalten oder durch Blasenbildung auszuschließen. Bei nicht vollständig gefüllten Rohren den Fühler im flüssigkeitsbenetzten Bereich montieren.

5. Inbetriebnahme, Betrieb

Keine einseitige Belastung durch Anhängen von schweren Gegenständen oder durch straff gespannte Anschlusskabel verursachen. Ein planes Anliegen des Fühlerplättchens muss gewährleistet sein. Die Hutmuttern der beiden Adapterteile mit dem maximal zulässigen Drehmoment anziehen, damit sich die Silikoneinlage nicht verformt und die Rohrauflage negativ beeinflusst wird. Auf einen gleichmäßigen Anzug der Hutmuttern zueinander achten.

DE



- ① **Ideale** Montageposition, da keine Luftblasen, Ablagerungen und aufsteigende Abwärme der Rohre das Messergebnis verfälschen.
- ② **Bedenkliche** Montageposition, da die aufsteigende Abwärme der Rohre zu einer Verfälschung des Messergebnisses führen kann.
- ③ **Ideale** Montageposition, sofern keine Luftblasenbildung erfolgt.
- ④ **Bedenkliche** Montageposition, da aufsteigende Abwärme der Rohre und des Verbindungsflansches zu einer Verfälschung des Messergebnisses führen können.

5. Inbetriebnahme, Betrieb

Das Gehäuse gegen elektromagnetische Felder und elektrostatische Aufladungen erden. Es muss nicht gesondert an das Potentialausgleichsystem angeschlossen werden, wenn es festen und gesicherten metallischen Kontakt mit den Rohrleitungen hat, sofern diese mit dem Potentialausgleichsystem verbunden sind. Bei einem nicht-metallischen Kontakt mit den Rohrleitungen das Gerät mit einem Potentialausgleich versehen.

5.1.1 Anzugsdrehmoment für den M12-Gegenstecker oder den M12-Adapter

Anzugsdrehmoment von 0,6 Nm wählen.

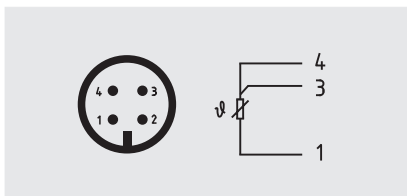
5.1.2 Anzugsdrehmoment für Überwurfmutter von Rohrleitungsadapter

Anzugsdrehmoment von 0,5 ... 1,0 Nm wählen.

5.2 Elektrischer Anschluss

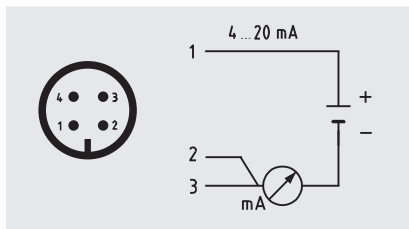
Je nach Art der Anwendung muss der elektrische Anschluss vor mechanischen Schäden geschützt werden. Der elektrische Anschluss erfolgt über den Rundstecker M12 x 1 (4-polig).

■ Ausgangssignal Pt100



5. Inbetriebnahme, Betrieb

■ Ausgangssignal 4 ... 20 mA



Pin	Signal	Beschreibung
1	L+	10 ... 30 V
2	L-	0 V
3	L-	0 V
4	C	nicht verwenden



GEFAHR!

Lebensgefahr durch elektrischen Strom

Bei Berührung mit spannungsführenden Teilen besteht unmittelbare Lebensgefahr.

- ▶ Einbau und Montage des Gerätes dürfen nur durch Fachpersonal erfolgen.
- ▶ Bei Betrieb mit einem defekten Netzgerät (z. B. Kurzschluss von Netzspannung zur Ausgangsspannung) können am Gerät lebensgefährliche Spannungen auftreten!
- ▶ Montagen im spannungslosen Zustand durchführen.

Dies ist ein Betriebsmittel der Schutzklasse 3 zum Anschluss an Kleinspannungen, die von der Netzspannung oder Spannung größer AC 50 V bzw. DC 120 V getrennt sind. Zu bevorzugen ist ein Anschluss an SELV- oder PELV-Stromkreise; alternativ ist eine Schutzmaßnahme aus HD 60346-4-41 (DIN VDE 0100-410) zu empfehlen.

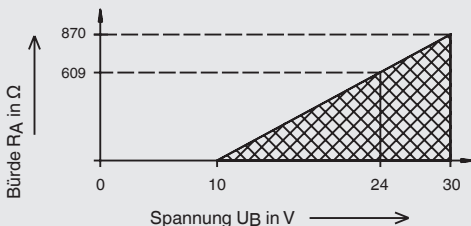
5. Inbetriebnahme, Betrieb

Alternativ für Nordamerika

Der Anschluss kann auch an „Class 2 Circuits“ oder „Class 2 Power Units“ gemäß CEC (Canadian Electrical Code) oder NEC (National Electrical Code) erfolgen.

Bürdendiagramm

Die zulässige Bürde R_A hängt von der Spannung der Schleifenversorgung ab.



$$R_A \leq (U_B - 10 \text{ V}) / 23 \text{ mA mit } R_A \text{ in } \Omega \text{ und } U_B \text{ in V}$$

5.3 Verhalten des elektrischen Ausgangssignals

■ Interner Gerätefehler

Tritt ein interner Gerätefehler auf, erfolgt die Fehlersignalisierung aufsteuernd ca. 22 mA.

■ Medientemperatur außerhalb der Spanne

Bei einer Überschreitung der im Transmitter konfigurierten Medientemperatur läuft der Transmitter noch linear in folgende Grenzen: 3,7 mA (MBA); 22 mA (MBE).

6. Störungen

6. Störungen



VORSICHT!

Körperverletzungen, Sach- und Umweltschäden

Können Störungen mit Hilfe der aufgeführten Maßnahmen nicht beseitigt werden, Gerät unverzüglich außer Betrieb setzen.

- ▶ Sicherstellen, dass kein Signal mehr anliegt und gegen versehentliche Inbetriebnahme schützen.
- ▶ Kontakt mit dem Hersteller aufnehmen.
- ▶ Bei notwendiger Rücksendung die Hinweise unter Kapitel 8.2 „Rücksendung“ beachten.



WARNUNG!

Körperverletzungen, Sach- und Umweltschäden durch gefährliche Messstoffe

Bei Kontakt mit gefährlichen Messstoffen (z. B. Sauerstoff, Acetylen, brennbaren oder giftigen Stoffen), gesundheitsgefährdenden Messstoffen (z. B. ätzend, giftig, krebserregend, radioaktiv) sowie bei Kälteanlagen, Kompressoren besteht die Gefahr von Körperverletzungen, Sach- und Umweltschäden. Am Gerät können im Fehlerfall aggressive Medien mit extremer Temperatur und unter hohem Druck oder Vakuum anliegen.

- ▶ Bei diesen Messstoffen müssen über die gesamten allgemeinen Regeln hinaus die einschlägigen Vorschriften beachtet werden.



Kontaktdaten siehe Kapitel 1 „Allgemeines“ oder Rückseite der Betriebsanleitung.

Störungen	Ursachen	Maßnahmen
Kein Signal/ Leitungsbruch	Zu hohe mechanische Belastung oder Über- temperatur	Ersatz des Fühlers durch eine geeignete Ausführung
Fehlerhafte Messwerte	Sensordrift durch Über- temperatur	Ersatz des Fühlers durch eine geeignete Ausführung

6. Störungen / 7. Wartung, Reinigung, Kalibrierung

Störungen	Ursachen	Maßnahmen
Fehlerhafte Messwerte (zu gering)	Feuchtigkeitseintritt am Kabel	Geeigneten IP-Schutz verwenden
Fehlerhafte Messwerte und zu lange Ansprechzeiten	Falsche Einbaugeometrie oder zu hohe Wärmeableitung	Der temperaturempfindliche Bereich des Sensors muss im direkten Kontakt zum Rohr liegen, Oberflächenmessungen müssen isoliert sein
Anzeige des Messwertes springt	Leitungsbruch im Anschlusskabel oder Wackelkontakt durch mechanische Überbelastung	Ersatz des Fühlers oder dickerer Leitungsquerschnitt
Signal gestört	Einstreuung durch elektrische Felder oder Erdschleifen	Verwendung von geschirmten Anschlussleitungen, Erhöhung des Abstandes zu Motoren und leistungsführenden Leitungen
	Erdschleifen	Beseitigung von Potentialen, Verwendung von galvanisch getrennten Speisetretern oder Transmittern

DE

7. Wartung, Reinigung und Kalibrierung



Kontakt Daten siehe Kapitel 1 „Allgemeines“ oder Rückseite der Betriebsanleitung.

7.1 Wartung

Die hier beschriebenen Widerstandsthermometer sind wartungsfrei und enthalten keinerlei Bauteile, welche repariert oder ausgetauscht werden könnten.

Reparaturen sind ausschließlich vom Hersteller durchzuführen.

7. Wartung, Reinigung und Kalibrierung

7.2 Reinigung



VORSICHT!

Körperverletzungen, Sach- und Umweltschäden

Eine unsachgemäße Reinigung führt zu Körperverletzungen, Sach- und Umweltschäden. Messstoffreste im ausgebauten Gerät können zur Gefährdung von Personen, Umwelt und Einrichtung führen.

- ▶ Reinigungsvorgang wie folgt beschrieben durchführen.

- ▶ Vor der Reinigung das Gerät ordnungsgemäß trennen.
- ▶ Notwendige Schutzausrüstung verwenden (abhängig von der jeweiligen Applikation; das Thermometer selbst ist prinzipiell ungefährlich).
- ▶ Das Gerät mit einem feuchten Tuch reinigen.
Elektrische Anschlüsse nicht mit Feuchtigkeit in Berührung bringen!
- ▶ Beim Reinigungsmittel auf Materialbeständigkeit achten.



VORSICHT!

Beschädigung des Gerätes

Eine unsachgemäße Reinigung führt zur Beschädigung des Gerätes!

- ▶ Keine aggressiven Reinigungsmittel verwenden.
 - ▶ Keine harten und spitzen Gegenstände zur Reinigung verwenden.
- ▶ Ausgebautes Gerät spülen bzw. säubern, um Personen und Umwelt vor Gefährdung durch anhaftende Messstoffreste zu schützen.

7.3 Kalibrierung, Rekalibrierung

Es wird empfohlen, den Messeinsatz in regelmäßigen Zeitabständen von ca. 24 Monaten zu rekalibrieren. Dieser Zeitraum verringert sich abhängig vom Einsatzfall. Die Kalibrierung kann durch den Hersteller sowie mit Kalibriergeräten vor Ort durch qualifiziertes Fachpersonal erfolgen.

Entsprechend dem Bestimmungszweck eines Rohranlegefühlers, sollte die Prüfung auf einer kontrolliert beheizten Referenzfläche erfolgen (Trockenkalibrierung).

Eine Nasskalibrierung z. B. im Ölbad ist prinzipiell möglich, aber wegen des vom Anwendungsfall abweichenden Eintauchverfahrens und der maximal zulässigen Umgebungstemperatur nicht zu empfehlen.

8. Demontage, Rücksendung und Entsorgung

DE

8.1 Demontage



WARNUNG!

Körperverletzungen, Sach- und Umweltschäden durch Messstoffreste

Bei Kontakt mit gefährlichen Messstoffen (z. B. Sauerstoff, Acetylen, brennbaren oder giftigen Stoffen), gesundheitsgefährdenden Messstoffen (z. B. ätzend, giftig, krebserregend, radioaktiv) sowie bei Kälteanlagen, Kompressoren besteht die Gefahr von Körperverletzungen, Sach- und Umweltschäden.

- ▶ Vor der Einlagerung das ausgebaute Gerät (nach Betrieb) spülen bzw. säubern, um Personen und Umwelt vor Gefährdung durch anhaftende Messstoffreste zu schützen.
- ▶ Notwendige Schutzausrüstung verwenden (abhängig von der jeweiligen Applikation; Das Thermometer selbst ist prinzipiell ungefährlich).
- ▶ Angaben im Sicherheitsdatenblatt für den entsprechenden Messstoff beachten.



WARNUNG!

Verbrennungsgefahr

Beim Ausbau besteht Gefahr durch gefährlich heiße Oberflächen.

- ▶ Vor dem Ausbau das Gerät ausreichend abkühlen lassen!

8. Demontage, Rücksendung und Entsorgung

8.2 Rücksendung

Beim Versand des Gerätes unbedingt beachten:

Alle an WIKA gelieferten Geräte müssen frei von Gefahrstoffen (Säuren, Laugen, Lösungen, etc.) sein und sind daher vor der Rücksendung zu reinigen.



WARNUNG!

Körperverletzungen, Sach- und Umweltschäden durch Messstoffreste

Messstoffreste im ausgebauten Gerät können zur Gefährdung von Personen, Umwelt und Einrichtung führen.

- ▶ Bei Gefahrenstoffen das Sicherheitsdatenblatt für den entsprechenden Messstoff beilegen.
- ▶ Gerät reinigen, siehe Kapitel 7.2 „Reinigung“.

Zur Rücksendung des Gerätes die Originalverpackung oder eine geeignete Transportverpackung verwenden.

Um Schäden zu vermeiden:

1. Das Gerät mit dem Dämmmaterial in der Verpackung platzieren.
Zu allen Seiten der Transportverpackung gleichmäßig dämmen.
2. Wenn möglich einen Beutel mit Trocknungsmittel der Verpackung beifügen.
3. Sendung als Transport eines hochempfindlichen Messgerätes kennzeichnen.



Hinweise zur Rücksendung befinden sich in der Rubrik „Service“ auf unserer lokalen Internetseite.

8.3 Entsorgung

Durch falsche Entsorgung können Gefahren für die Umwelt entstehen. Gerätekomponenten und Verpackungsmaterialien entsprechend den landesspezifischen Abfallbehandlungs- und Entsorgungsvorschriften umweltgerecht entsorgen.

9. Technische Daten

9. Technische Daten

Thermometer mit Messumformer und Ausgangssignal 4 ... 20 mA

Prozess Temperaturbereich	<ul style="list-style-type: none">■ Standard: -20 ... +100 °C (-4 ... +212 °F), max. 150 °C (302 °F) für 30 min ¹⁾■ Erweitert: -20 ... +150 °C (-4 ... +302 °F) ¹⁾, nur bei Transmittermessbereich 0 ... 150 °C
Schaltungsart	3-Leiter
Messgenauigkeit des Gesamtgerätes	2,5 % vom Endwert ²⁾
Messbereich des Transmitters	<ul style="list-style-type: none">■ -10 ... +50 °C■ 0 ... 100 °C■ 0 ... 150 °C Der Messbereich ist fest eingestellt.
Analogausgang	4 ... 20 mA, 2-Leiter
Hilfsenergie U_B	DC 10 ... 30 V
Ansprechzeit	ca. t ₉₀ = 10 s ²⁾
Einschaltverzögerung, elektrisch	Max. 1 s (Zeit bis zum ersten Messwert)
Stromwert für Fehlersignalisierung	Aufsteuernd ca. 22 mA
Bürde R_A	$R_A \leq (U_B - 10 \text{ V}) / 23 \text{ mA}$ mit R _A in Ω und U _B in V
Elektrischer Anschluss	M12 x 1-Rundstecker (4-polig)
Hilfsenergieeingang	Geschützt gegen Verpolung
Elektromagnetische Verträglichkeit (EMV)	EN 61326 Emission (Gruppe 1, Klasse B) und Störfestigkeit (industrieller Bereich) ³⁾

DE

Angaben in % beziehen sich auf die Messspanne

- 1) Den Temperaturtransmitter dabei vor Temperaturen über 60 °C (140 °F) schützen
- 2) Messergebnisse sind abhängig von der jeweiligen Einbausituation
- 3) Widerstandsthermometer mit geschirmter Leitung betreiben und den Schirm auf mindestens einer Leitungsseite erden, wenn die Leitungen länger als 30 m sind oder das Gebäude verlassen. Das Gerät geerdet betreiben.

9. Technische Daten

Thermometer mit direktem Sensorausgang mit Pt100

Prozess Temperaturbereich	-20 ... +150 °C (-4 ... +302 °F)
Messelement	Pt100 (Messstrom max. 10 mA, empfohlen 0,3 ... 1 mA)
Temperatur am Stecker	Max. 85 °C (185 °F)
Schaltungsart	3-Leiter ³⁾
Grenzabweichung des Messelementes nach IEC 60751	Klasse A ²⁾
Messgenauigkeit des Gesamtgerätes	2,5 % vom Endwert ²⁾
Ansprechzeit	ca. $t_{90} = 10 \text{ s}$ ²⁾
Elektrischer Anschluss	M12 x 1-Rundstecker (4-polig)

Detaillierte Angaben zu Pt-Sensoren siehe Technische Information IN 00.17 unter www.wika.de.

Umgebungsbedingungen

Umgebungs-/Lagertemperaturbereich	Ohne Transmitter: -20 ... +85 °C (-4 ... +185 °F) Mit Transmitter: -20 ... +60 °C (-4 ... +140 °F)
Maximal zulässige Feuchte nach IEC 60068-2-30 Var. 2	70 % r. F. ⁴⁾
Schutzart	IP67 nach IEC/EN 60529

Messeinsatz

Feder	CrNi-Stahl 1.4310
Fühlereinsatz	PEEK
Sensorspitze	935er Silber
M12-Rundstecker	PA / vergoldete Kontakte
Gewicht	20 g

Angaben in % beziehen sich auf die Messspanne

- 1) Den Temperaturtransmitter dabei vor Temperaturen über 60 °C (140 °F) schützen
- 2) Messergebnisse sind abhängig von der jeweiligen Einbausituation
- 3) Widerstandsthermometer mit geschirmter Leitung betreiben und den Schirm auf mindestens einer Leitungsseite erden, wenn die Leitungen länger als 30 m sind oder das Gebäude verlassen. Das Gerät geerdet betreiben.
- 4) Nur mit montiertem M12-Rundstecker oder bei Lagerung mit montierter M12-Schutzkappe

9. Technische Daten

Prozessanschluss	
Rohradapter	CrNi-Stahl 1.4405
Gewicht	
■ Baugröße 1	120 g
■ Baugröße 2	170 g
■ Baugröße 3	395 g
■ Baugröße 4a, 4b	955 g
Gehäuse	CrNi-Stahl 1.4305
Adaptereinlage	Silikon HTV/PTFE

DE

Weitere technische Daten siehe WIKA-Datenblatt TE 60.57 sowie Bestellunterlagen.



EU-Konformitätserklärung EU Declaration of Conformity

Dokument Nr.: 14217602.01
Document No.:

Wir erklären in alleiniger Verantwortung, dass die mit CE gekennzeichneten Produkte
We declare under our sole responsibility that the CE marked products

Typenbezeichnung: TR57-M
Type Designation:

Beschreibung: Rohroberflächen-Widerstandsthermometer zum Aufklemmen
Description: Clamp-on temperature sensor

gemäß gültigem Datenblatt: TE 60.57
according to the valid data sheet:

die wesentlichen Schutzanforderungen der folgenden Richtlinien erfüllen: Harmonisierte Normen:
comply with the essential protection requirements of the directives: Harmonized standards:

2011/65/EU Gefährliche Stoffe (RoHS) Hazardous substances (RoHS) EN 50581:2012

2014/30/EU Elektromagnetische Verträglichkeit (EMV) ⁽¹⁾ Electromagnetic Compatibility (EMC) ⁽¹⁾ EN 61326-1:2013
EN 61326-2-3:2013

(1) Nur mit Ausgangssignal 4 ... 20 mA.
With analogue output signal 4 ... 20 mA only.

Unterszeichnet für und im Namen von / Signed for and on behalf of

WIKAL Alexander Wiegand SE & Co. KG

Klingenberg, 2017-03-08

Stefan Heidinger, Vice President Electrical
Temperature Measurement

Franz-Josef Vogel, Executive Vice President
Process Instrumentation

WIKAL Alexander Wiegand SE & Co. KG
Alexander-Wiegand-Strasse 30
63011 Klingenberg
Germany

Tel. +49 9372 132-0
Fax +49 9372 132-406
E-Mail: info@wikal.de
www.wikal.de

Kommanditgesellschaft: Sitz Klingenberg –
Amtsgericht Aschaffenburg HRA 1819
Komplementärin: WIKAL Verwaltung SE & Co. KG –
Sitz Klingenberg – Amtsgericht Aschaffenburg
HRA 6695

Komplementärin:
WIKAL International SE - Sitz Klingenberg -
Amtsgericht Aschaffenburg HRB 10505
Vorstand: Alexander Wiegand
Vorsitzender des Aufsichtsrats: Dr. Max Egl

WIKA subsidiaries worldwide can be found online at www.wika.com.
WIKA-Niederlassungen weltweit finden Sie online unter www.wika.de.



WIKAI Alexander Wiegand SE & Co. KG

Alexander-Wiegand-Strasse 30

63911 Klingenberg • Germany

Tel. +49 9372 132-0

Fax +49 9372 132-406

info@wika.de

www.wika.de