

▼ Shown: PRASA10027L and accessory Locking U-Rings



Safe, Efficient, Mobile Load Lifting



Pendant cord

Supplied with 3,5 m pendant cord for air driven units with pneumatic valves and 6 m pendant cord for electric driven units keeps operator away from the load.

- 54, 90, 136 and 181 ton capacities with pneumatic or electric pumps for the toughest jobs
- 102 mm ground clearance for transport over rail and rough terrain
- Double-acting cylinder
- Three position handle provides easy tilt back and transport
- Complies with ASME/ANSI B30:1 2015 and CE specifications
- Easy to change external filter minimizes down time
- Rugged, fully enclosed 610 mm wide frame with no exposed fittings or hoses
- SUP-R-STACK™ Extension System allows lifting at all heights without blocking.



POW'R-LOCK™ – Self-Locking Mobile Lift System

A self-locking jack that performs automatic locking during lifting, lowering and holding.

See the Enerpac PL-Series

Page: 70



◀ Enerpac POW'R-RISER® used in mining operations to lift heavy equipment.

| Capacity ton (kN) | Stroke (mm) | Model Number with Electric Pump (230V - 1 ph - 50Hz) | (kg) |
|----------------------|----------------|--|----------|
| 54 (533) | 356 | PREME06014L | 177 |
| | 686 | PREME06027L | 272 |
| 90 (889) | 406 | PREME10016L | 231 |
| | 686 | PREME10027L | 272 |
| | 406 | - | - |
| | 686 | - | - |
| 136 (1333) | 394 | - | - |
| | 673 | - | - |
| | 394 | PREME15016L | 258 |
| | 673 | PREME15027L | 321 |
| 181 (1778) | 388 | - | - |
| | 617 | - | - |

POW'R-RISER® Lifting Jack



SUP-R-STACK Extensions

Increase useful height from 127 to 457 mm.

| Model No. | Size (mm) | Model No. | Size (mm) |
|-----------|---|-----------|-----------|
| PRE5 | 127 | PRE11 | 279 |
| PRE7 | 178 | PRE14 | 356 |
| PRE9 | 229 | PRE18 | 457 |
| PRES6024 | Extension set includes PRE5, PRE7, PRE11 and PRE18. | | |



Spacers

Fine tune your extension stack height.

| Model No. | Size (mm) | Model No. | Size (mm) |
|-----------|--|-----------|-----------|
| PRS1 | 25 | PRS3 | 76 |
| PRS2 | 51 | - | - |
| PRS4 | Set includes (2x) PRS1, (1x) PRS2 and (1x) PRS3. | | |

PR Series



Rated Lifting Capacity:

54 - 181 ton

Stroke:

356 - 686 mm

Maximum Operating Pressure:

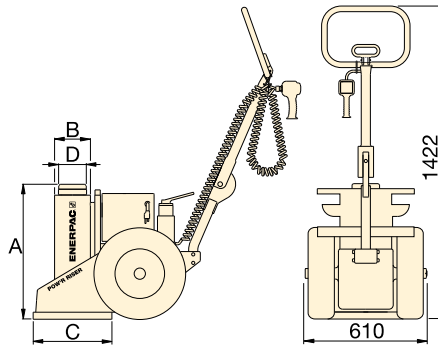
700 bar

| Cap. (kN) | Swivel Load Saddle | Locking U-Rings | | | | | Set Model Number | Locking U-Ring Sets Include: | | | |
|-----------|--------------------|-----------------|--------|--------|--------|---------|------------------------|------------------------------|---------|--------|--------|
| | | 25 mm | 76 mm | 114 mm | 140 mm | 254 mm | | Quantity & model numbers | | | |
| 533 | PRTS60 | PRU11 | PRU13 | PRU14 | - | PRU110 | ¹⁾ PRUS126 | PRU11 | PRU13 | PRU14 | - |
| | | | | | | | ²⁾ PRUS137 | PRU11 | PRU13 | PRU14 | PRU110 |
| 889 | PRTS60 | PRU11 | PRU13 | PRU14 | - | PRU110 | ¹⁾ PRUS126 | PRU11 | PRU13 | PRU14 | - |
| | | | | | | | ²⁾ PRUS137 | PRU11 | PRU13 | PRU14 | PRU110 |
| 1333 | PRTS150 | PRU151 | PRU153 | - | PRU155 | PRU1510 | ³⁾ PRUS1526 | PRU151 | PRU153 | PRU155 | - |
| | | | | | | | ²⁾ PRUS1537 | PRU151 | PRU1510 | PRU155 | - |
| 1778 | PRTS200 | PRU201 | PRU203 | - | PRU205 | PRU2010 | ³⁾ PRUS2026 | PRU201 | PRU203 | PRU205 | - |
| | | | | | | | ²⁾ PRUS2037 | PRU201 | PRU2010 | PRU205 | - |

¹⁾ For 356 mm and 406 mm stroke models

²⁾ For 686 mm stroke models

³⁾ For 394 mm stroke models.



WARNING!

Extensions: Any two extensions may be stacked for loads up to 54 ton. For loads over 54 ton or strokes over 356 mm only one extension and one spacer can be used.

Spacers: Never exceed 76 mm in total spacer height.

| Model Number with Air Pump | (kg) | A (mm) | B (mm) | C (mm) | D (mm) | Max. Additional Stack Height Using Optional Extension (mm) | Valve Type |
|----------------------------|------|--------|--------|--------|--------|--|------------|
| PRAMA06014L | 177 | 610 | 162 | 356 | 102 | 813* | Manual |
| PRAMA06027L | 272 | 940 | 162 | 356 | 102 | 279 | |
| PRAMA10016L | 231 | 660 | 178 | 457 | 102 | 533** | |
| PRAMA10027L | 272 | 940 | 178 | 457 | 102 | 279 | |
| PRASA10016L | 231 | 660 | 178 | 457 | 102 | 533** | Pneumatic |
| PRASA10027L | 272 | 940 | 178 | 457 | 102 | 279 | |
| PRASA15016L | 258 | 660 | 203 | 457 | 127 | 533** | |
| PRASA15027L | 321 | 940 | 203 | 457 | 127 | 279 | Manual |
| - | - | 660 | 203 | 457 | 127 | 533** | |
| - | - | 940 | 203 | 457 | 127 | 279 | |
| PRASA20016L | 290 | 660 | 241 | 508 | 165 | 533** | Pneumatic |
| PRASA20027L | 374 | 940 | 241 | 508 | 165 | 279 | |

* Based on one 457 mm and one 279 mm extension and one 76 mm spacer.

** Based on one 457 mm extension and one 76 mm spacer.

www.enerpac.com

For power source, the following characters should be inserted in the 5th space of the model number.

Ordering Example:

Model No. PREME06014L is a 356 mm stroke, 54 ton model, with a manual valve and a 230 VAC, 1-ph, 50 Hz electric motor.

A Air Pump, 1416 l/min air consumption at 5,5 bar

B 115 VAC, 1-ph., 50-60 Hz, 20 A

E 208-240 VAC, 1-ph., 50-60 Hz, Euro Plug, 10 A

I 208-240 VAC, 1-ph., 50-60 Hz, USA Plug, 10 A

G ¹⁾ 208-240 VAC, 3-ph., 50-60 Hz

W ¹⁾ 380-415 VAC, 3-ph., 50-60 Hz

J ¹⁾ 440-480 VAC, 3-ph., 50-60 Hz

R ¹⁾ 575 VAC, 3-ph., 50-60 Hz.

¹⁾ Not available for 54 ton capacity.