

# VibraLINK® Lite enclosures

## Switchable junction boxes



Standard model: 6-12 channels

VibraLINK® Lite switchboxes (VLL) handle up to 48 inputs of standard IEPE sensors. Flexible design enables a single board to be configured for 6 or 12 channels. NEMA 4/4X rated enclosures are available in stainless steel to meet the requirements for food processing or fiberglass for most industrial applications. VibraLINK enclosures come standard with pre-drilled access holes for easy cable entry and exit with user-selected cable grips or conduits.

A BNC connector is included for compatibility with most popular data collectors, including the MachineryMate 800 meter. VL enclosures enable machinery health monitoring from a safe location, streamlining walkaround collection and reducing long cable costs.

### Key features

- Up to 48 channels
- 55% more internal space
- Low cost
- Durable and built to last
- Lifetime warranty
- BNC connector
- For use with all IEPE sensors
- Manufactured in an approved ISO 9001 facility

### Certifications



Expandable model: 12-48 channels

Note: Due to continuous process improvement, specifications are subject to change without notice. This document is cleared for public release.

Wilcoxon Sensing Technologies  
20511 Seneca Meadows Parkway  
Germantown, MD 20876 USA  
info@wilcoxon.com

Tel: (301) 330 8811  
Fax: (301) 330 8873  
www.wilcoxon.com

Wilcoxon Sensing Technologies  
An Amphenol Company

# VibraLINK® Lite enclosures

## Switchable junction boxes

### SPECIFICATIONS

<b>Hardware</b>		
<b>Channels, user selected</b>		6, 12, 24, 36, 48
<b>Output connector</b>		BNC
<b>Material, user selected</b>		fiberglass or stainless steel
<b>Dimensions</b>		10x8x4 in, 6-12 channels (non-expandable) 20x16x8 in, 12-48 channels (expandable)
<b>Hinge</b>		stainless steel continuous weld
<b>Latch</b>		stainless steel butterfly knob
<b>Cable interface, user selected</b>		cable grips or conduit
<b>Terminal block connectors</b>		3 positions per channel
<b>Rating</b>	<b>fiberglass</b>	NEMA 4X/IP66
	<b>steel</b>	NEMA 4/IP66
<b>Mounting</b>		Pole or wall mountable using four-corner stainless steel feet (fiberglass model includes configurable feet)
<b>Sensor support</b>		IEPE
<b>Channel selector</b>		12 position dial switch, differential switching

### Contact

Wilcoxon Sensing Technologies

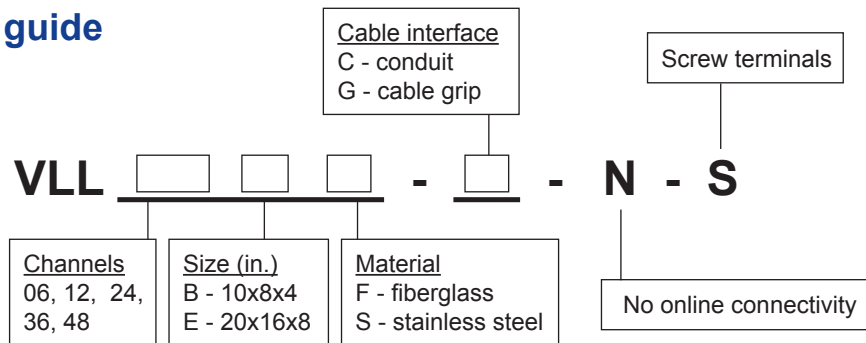
20511 Seneca Meadows Parkway  
Germantown, MD 20876, USA

Tel: +1 301 330 8811  
Fax: +1 301 330 8873

info@wilcoxon.com

www.wilcoxon.com

### Ordering guide



Example:

**VLL06BF-G-N-S:** 6-channel switchbox, 10x8x4 in. fiberglass enclosure with cable grip option

### Accessories supplied:

- Transducer location log
- Mounting feet
- Grounding lug
- Cable grip plugs (based on model ordered)

Note: Due to continuous process improvement, specifications are subject to change without notice. This document is cleared for public release.

Wilcoxon Sensing Technologies  
20511 Seneca Meadows Parkway  
Germantown, MD 20876 USA  
info@wilcoxon.com

Tel: (301) 330 8811  
Fax: (301) 330 8873  
www.wilcoxon.com

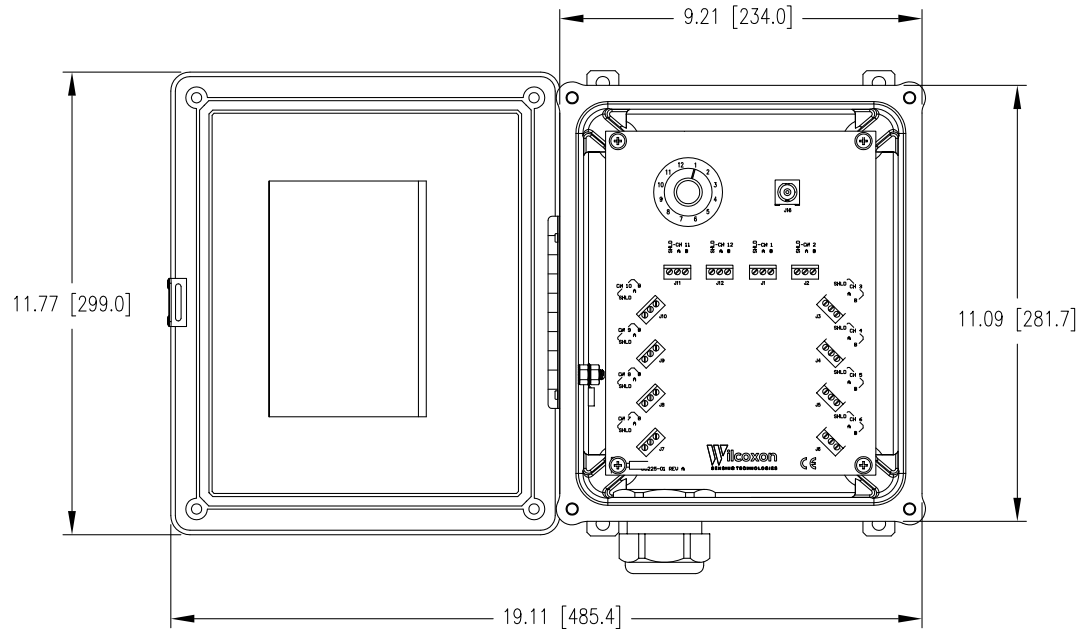
**Wilcoxon Sensing Technologies**  
An Amphenol Company

# VibraLINK® Lite enclosures

## Switchable junction boxes

### Drawings

#### Base size 6-12 channels



#### Expandable size 12-48 channels

