

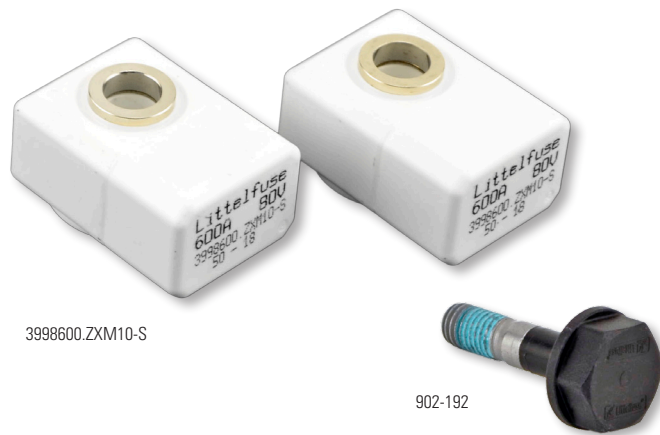
# Installation Instructions

## Sealed M10 ZCASE® Fuse



Expertise Applied | Answers Delivered

Part Numbers: 3998600.ZXM10-S, 902-192, and 3998600.ZXM10-SB



3998600.ZXM10-S

902-192

### Specifications Overview

<b>Amperage:</b>	600A
<b>Voltage Rating:</b>	80V DC
<b>Fuse Terminal Torque:</b>	18±2Nm
<b>Ingress Protection:</b>	IP67 / IP69K*
<b>Housing:</b>	TPU UL94 V0
<b>Output Connectors:</b>	M10
<b>Special Ratings:</b>	IEC 60079-0 Explosion-Proof*

\*Ratings achieved and statements applicable only when used with insulated bolt and a sealed cable lug

### Installation & Application Notes

- Sealed ZCASE fuse is designed to be used only with female battery poles
- Proper application requires rubberized battery post interface
- Cable contact is required to have sealed rubberized lug to ensure proper fuse operation
- System will only achieve sealed performance with use of Littelfuse M10 insulated bolt 902-192

### Ordering Information

PART NUMBERS	DESCRIPTION
3998600.ZXM10-S	Sealed M10 Battery Mount ZCASE Fuse
3998600.ZXM10-SB	Sealed M10 Battery Mount ZCASE Fuse + Insulated M10 Bolt Kit
902-192	Insulated M10 Bolt (Required for Installation/Operation)

### Web Resources

Download datasheet, 2D print, 3D model and more at:  
[littelfuse.com/SealedM10ZCASE](http://littelfuse.com/SealedM10ZCASE)

Specifications, descriptions and illustrative material in this literature are as accurate as known at the time of publication, but are subject to changes without notice. Visit [littelfuse.com](http://littelfuse.com) for the most up-to-date technical information.

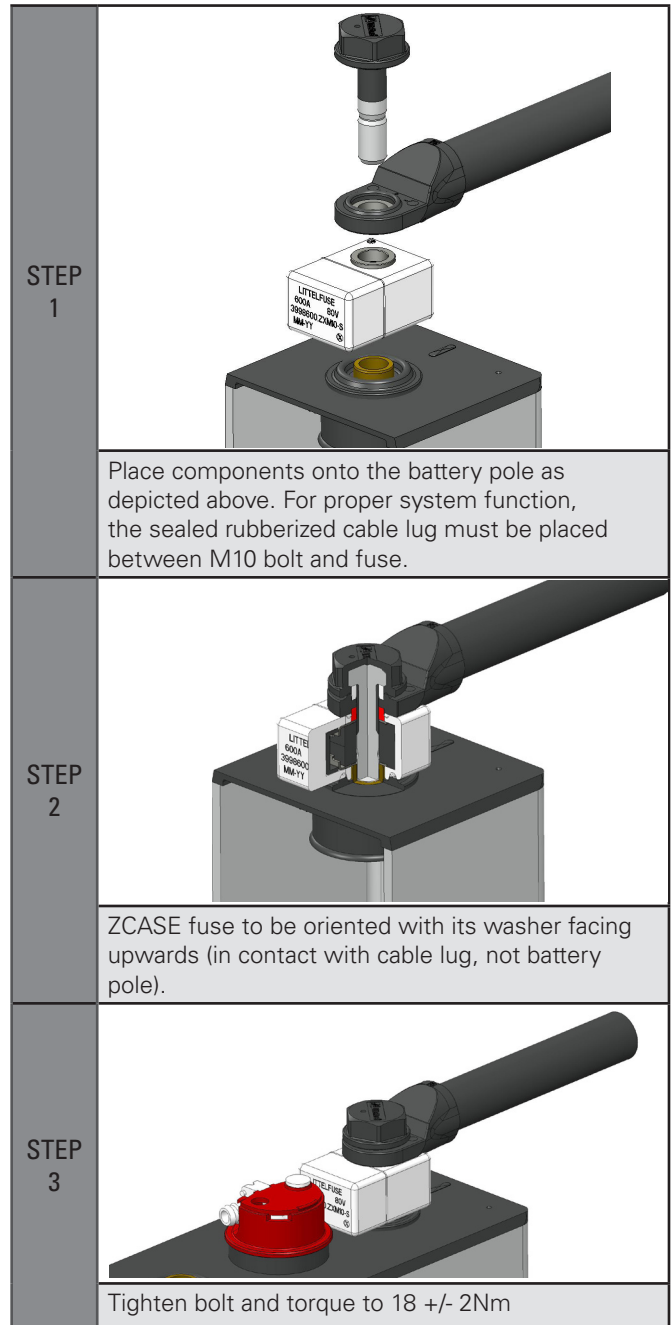


Figure 1 - Front and Side View

