

# Radiation resistant piezoelectric accelerometer

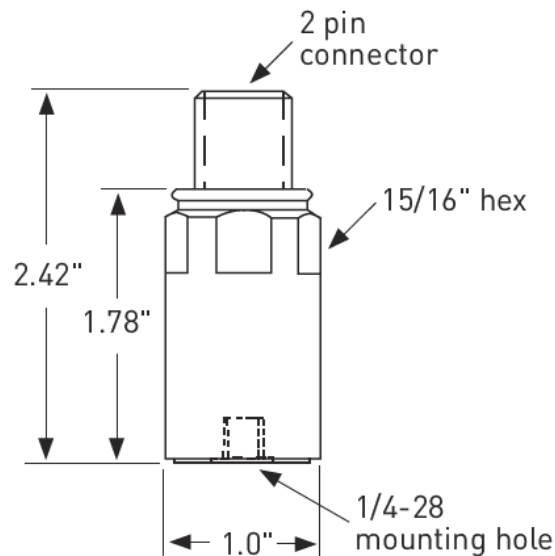
## 793R



### Key features

- Corrosion resistant
- Ground isolated
- Rugged design
- Hermetically sealed
- ESD protection
- Miswiring protection
- Mounts in any condition
- Radiation rated

### Certifications



Connections	
Function	Connector pin
power/signal	A
common	B

Note: Due to continuous process improvement, specifications are subject to change without notice.  
This document is cleared for public release.

Wilcoxon Sensing Technologies  
20511 Seneca Meadows Parkway  
Germantown, MD 20876  
info@wilcoxon.com

Tel: (301) 330 8811  
Fax: (301) 330 8873  
www.wilcoxon.com

Wilcoxon Sensing Technologies  
An Amphenol Company

# Radiation resistant piezoelectric accelerometer

## 793R

### SPECIFICATIONS

<b>Sensitivity, ±5%, 25° C</b>		100 mV/g
<b>Acceleration range<sup>1</sup></b>		50 g peak
<b>Amplitude nonlinearity</b>		1%
<b>Frequency response:</b>	<b>± 5%</b>	3 - 5,000 Hz
	<b>± 10%</b>	2 - 7,000 Hz
	<b>± 3 dB</b>	1 - 15,000 Hz
<b>Resonance frequency, nominal</b>		26 kHz
<b>Transverse sensitivity, max</b>		5% of axial
<b>Temperature response:</b>	<b>-50° C</b>	-5%
	<b>+120° C</b>	+5%
<b>Voltage source</b>		18 - 30 VDC
<b>Current regulating diode<sup>1</sup></b>		2 - 10 mA
<b>Electrical noise, equiv. g, nominal:</b>		
<b>Broadband</b>	<b>2.5 Hz to 25 kHz</b>	700 µg
<b>Spectral</b>	<b>10 Hz</b>	10 µg/√Hz
	<b>100 Hz</b>	5 µg/√Hz
	<b>1,000 Hz</b>	5 µg/√Hz
<b>Output impedance, max</b>		100 Ω
<b>Bias output voltage, nominal</b>		12 VDC
<b>Grounding</b>		case isolated, internally shielded
<b>Temperature range</b>		-50 to +120° C
<b>Vibration limit</b>		500 g peak
<b>Shock limit</b>		5,000 g peak
<b>Electromagnetic sensitivity, equiv. g</b>		15 µg/gauss
<b>Humidity limit</b>		100% relative
<b>Base strain sensitivity</b>		0.004 g/µstrain
<b>Radiation exposure limit</b>		1 x 10 <sup>7</sup> RADs
<b>Weight</b>		110 grams
<b>Case material</b>		stainless steel
<b>Mounting</b>		1/4-28 tapped hole
<b>Output connector</b>		2 pin, MIL-C-5015 style
<b>Mating connector</b>		R6
<b>Recommended cabling</b>		J9T2 2-conductor shielded, Tefzel® jacket, 30 pF/ft

### Contact

Wilcoxon Sensing Technologies

20511 Seneca Meadows Parkway  
Germantown MD 20876, USA

Tel: +1 301 330 8811  
Fax: +1 301 330 8873

info@wilcoxon.com

www.wilcoxon.com

### Accessories supplied:

- Calibration data
- SF6 mounting stud

**Accessories available:**  
magnetic mounting bases, cementing studs, cable assembly R6Q-J9T2-XX, power supplies, amplifiers, signal conditioners

**Notes:** <sup>1</sup> A maximum current of 6 mA is recommended for operating temperatures in excess of 100° C.

Note: Due to continuous process improvement, specifications are subject to change without notice. This document is cleared for public release.

Wilcoxon Sensing Technologies  
20511 Seneca Meadows Parkway  
Germantown, MD 20876  
info@wilcoxon.com

Tel: (301) 330 8811  
Fax: (301) 330 8873  
www.wilcoxon.com

**Wilcoxon Sensing Technologies**  
An Amphenol Company