

Ultra-quiet, ultra low frequency seismic accelerometer

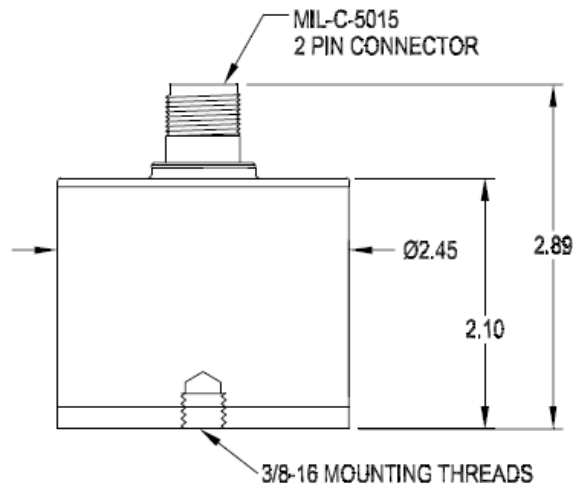
731A



Key features

- Ultra high sensitivity
- Ultra low-noise electronics for clear signals at sub micro-g levels
- Low frequency capable
- Low pass filtered to eliminate high frequencies
- Reverse wiring protection

Certifications



Connections	
Function	Connector pin
ground	shell
power/signal	A
common	B

Note: Due to continuous process improvement, specifications are subject to change without notice.
This document is cleared for public release.

Wilcoxon Sensing Technologies
20511 Seneca Meadows Parkway
Germantown, MD 20876
info@wilcoxon.com

Tel: (301) 330 8811
Fax: (301) 330 8873
www.wilcoxon.com

Wilcoxon Sensing Technologies
An Amphenol Company

Ultra-quiet, ultra low frequency seismic accelerometer

731A

SPECIFICATIONS

Sensitivity, $\pm 10\%$, 25° C	10 V/g
Acceleration range	0.5 g peak
Amplitude nonlinearity	1%
Frequency response:	$\pm 10\%$ 0.10 - 300 Hz ± 3 dB 0.05 - 450 Hz
Resonance frequency	750 Hz
Transverse sensitivity, max	1% of axial
Temperature response:	-10° C -12% +65° C +5%
Power requirement:	
Voltage source	18 - 30 VDC
Current regulating diode	2 - 10 mA
Electrical noise, equiv. g:	
Broadband 2.5 Hz to 25 kHz	0.5 μ g
Spectral 2 Hz	0.03 μ g/ \sqrt Hz
10 Hz	0.01 μ g/ \sqrt Hz
100 Hz	0.004 μ g/ \sqrt Hz
Output impedance, max	100 Ω
Bias output voltage	9 VDC
Grounding	case isolated
Temperature range	-10 to 65° C
Vibration limit	10 g peak
Shock limit	fragile
Electromagnetic sensitivity at 60 Hz	20 μ g/gauss
Sealing	hermetic
Base strain sensitivity	0.0001 g/ μ strain
Sensing element design	PZT ceramic / flexure
Weight	760 grams
Case material	316L stainless steel
Mounting	3/8-16 tapped hole
Output connector	2-pin, MIL-C-5015 style
Mating connector	R6 type
Recommended cabling	J9 / J9T2A

Contact

Wilcoxon Sensing Technologies

20511 Seneca Meadows Parkway
Germantown, MD 20876, USA

Tel: +1 301 330 8811
Fax: +1 301 330 8873

info@wilcoxon.com

www.wilcoxon.com

Accessories supplied:

- Calibration data (level 3)
- SF7 mounting stud

Options: Power unit/
amplifier P31

Note: Special handling required due to sensitivity; wooden protective case included.

Note: Due to continuous process improvement, specifications are subject to change without notice.
This document is cleared for public release.

Wilcoxon Sensing Technologies
20511 Seneca Meadows Parkway
Germantown, MD 20876
info@wilcoxon.com

Tel: (301) 330 8811
Fax: (301) 330 8873
www.wilcoxon.com

Wilcoxon Sensing Technologies
An Amphenol Company