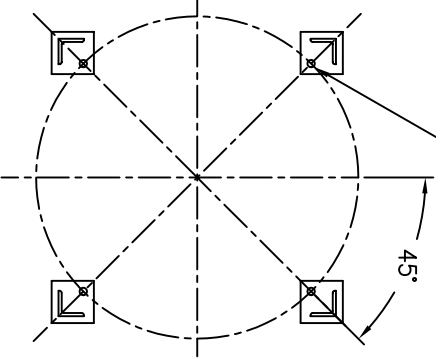


(4) 7/8" ϕ [22 ϕ] BOLT HOLES
 LOCATED AS SHOWN ON A
 38.13 ϕ [969 ϕ] BOLT CIRCLE



SECTION B-B

ITEM	PART NAME	MATERIAL
1	BODY	SA240 316/316L
2	COVER	SA240 316/316L
3	O-RING	BUNA-N
4	PIN	SA193 B7 ZINC PL
5	SNAP RING	STEEL ZINC PL
6	BASKET RESTRAINER	316 SS
7	FILTER BAG RETAINER	316 SS
8	EYE BOLT	SA193 B7 ZINC PL
9	HEX NUT	SA194 2H ZINC PL
10	WASHER	STEEL ZINC PL
11	DAVIT ASSEMBLY	CARBON STEEL

NOTES:

- UNITS ARE TO BE DESIGNED, FABRICATED & "U" STAMPED IN ACCORDANCE WITH ASME SECT. VIII, DIV. 1 BOILER & PRESSURE VESSEL CODE, IN COMPLIANCE TO LATEST ADDENDA.
- INLET / OUTLET FLANGE CONNECTIONS PER ANSI B 16.5.
- DESIGN PRESSURE: 150 PSI (MAWP)
 DESIGN TEMPERATURE 250° F.
 MDMT - -20° F @ 150 PSI.
- ALL DIMENSIONS ARE IN INCHES / (MM).
- ALL BOLT HOLES ARE TO STRADDLE NATURAL CENTERLINES.
- APPROX. WEIGHT (DRY) 1875 LB. (850 KG.)

CERTIFIED FOR:

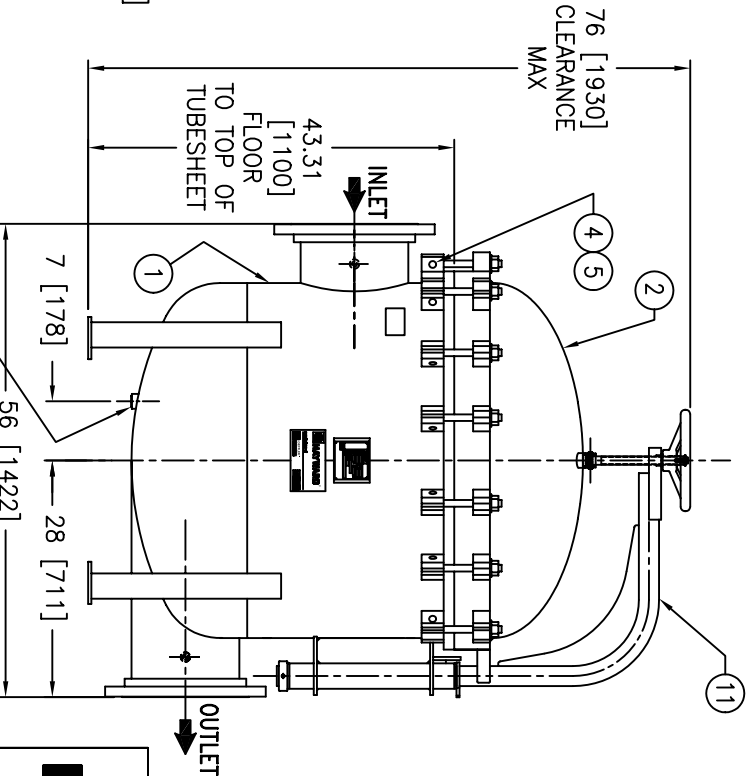
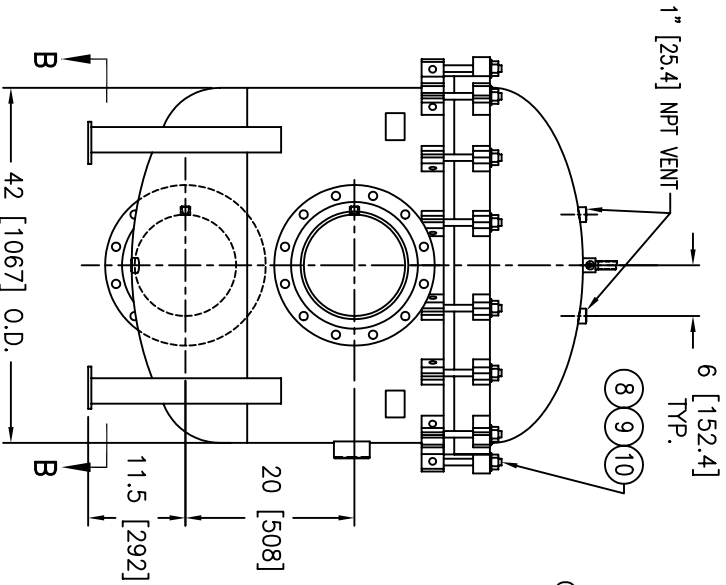
P.O. NO.:
 REG. NO.:
 QUOTE NO.:
 TAG NO.:
 VESSEL CODE: MBF-1602-AB10-120A-UT-11HD
 PART NUMBER: F3AV16000003

EATON FILTRATION, LLC

900 FAIRMOUNT AVENUE, ELIZABETH, NEW JERSEY 07207



NAME: MAXILINE MBF1602HD FILTER VESSEL
 12" INLET / TANGENTIAL OUTLET
 STAINLESS STEEL



ELECTRONIC FILE NAME: HD1612TS.DWG
 REF. ECR D666 DATE 01/23/06

UNAUTHORIZED USE, MANUFACTURE OR REPRODUCTION IN WHOLE OR IN PART IS PROHIBITED. DRAWING, DESIGN AND OTHER DISCLOSURES PROPERTY OF EATON FILTRATION, LLC

SIZE	DWG	DATE	CERT.	LF	DATE	REV
A	NO	11/21/00			1/24/01	C

HD1612TS