

▼ Shown: **XA11G**



- Ergonomic design for less operator fatigue
- Variable oil flow & fine metering for precise control
- Higher oil flow for increased productivity
- Closed hydraulic system prevents contamination and allows pump usage in any position
- Pedal lock function for retract position
- External adjustable pressure setting valve
- Ground screw for improved ATEX explosion safety.



▼ *Easy operated by foot. No need to fully lift up foot – rest bodyweight on heel, resulting in a handsfree and stabile working position.*



Productivity & Ergonomics



Optional Pressure Gauge

Integrated gauge with calibrated scale reading in bar, psi and MPa for actual pressure reading.



4/3 Control Valve

For powering double-acting hydraulic cylinders and tools.



2 Litres Reservoir

Double oil capacity for powering larger hydraulic cylinders and tools.



“Joy-stick” Lever Kit

Customer installed set of handles for manual operation of both pedals.

Model Number¹⁾

XLK1



Swivel Connector

Customer installed swivel connector for optimal orientation of the hydraulic hose. See page 133 for details.

Model Number¹⁾

XSC1

¹⁾ Accessories must be ordered separately.

Air Driven Hydraulic Foot Pumps



Production Application

XA11 pump is used with a 13 tons hollow cylinder to compress and position diesel engine valve springs.

The operator benefits from the fine metering capacities of this pump to apply the mandatory precise stroke and force.

XA Series



Reservoir Capacity:

1,0 - 2,0 litres

Flow at Rated Pressure:

0,25 l/min

Air Consumption:

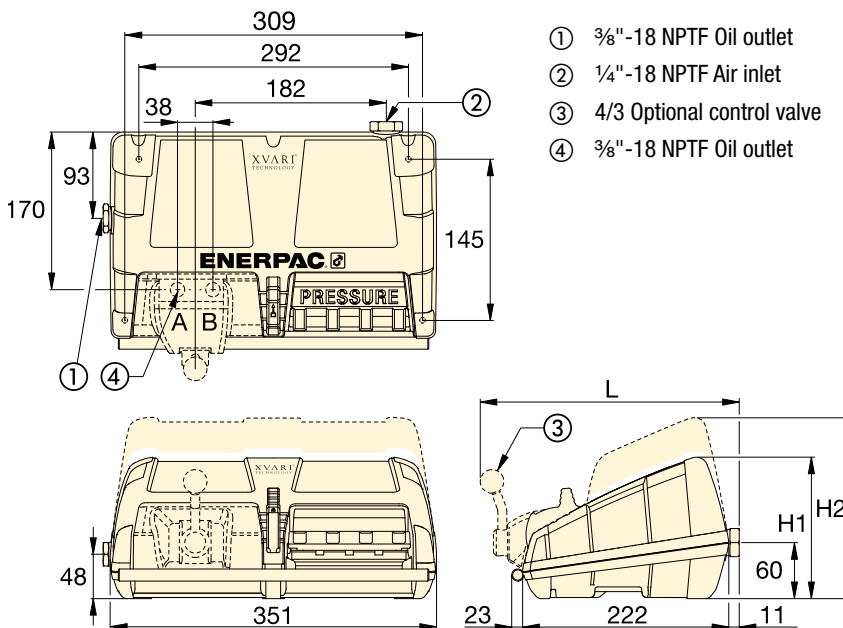
283 - 991 l/min

Maximum Operating Pressure:

700 bar

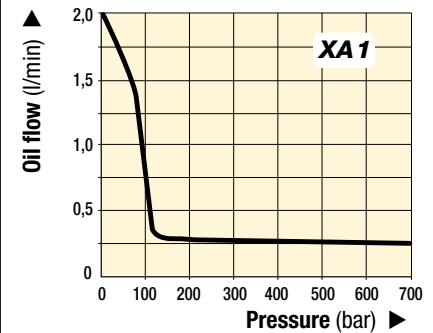
▼ XA-SERIES PERFORMANCE CHART

Maximum Pressure (bar)	Output Flow Rate (l/min)		Pump Series	Valve Function	Dynamic Air Pressure (bar)
	No load	Load			
700	2,0	0,25	XA1	Advance / Hold / Retract	2,1 - 8,6



OIL FLOW VERSUS PRESSURE

at 6,9 bar dynamic air pressure



Regulator-Filter-Lubricator

Recommended for use with all XA-Series Air pumps. Provides clean, lubricated air and allows for air pressure adjustment.

Model Number¹⁾

RFL102

▼ SELECTION CHART

For use with cylinder or tool	Usable Oil Capacity (litres)	Model Number ¹⁾	Pressure Gauge	3-way 3-pos. Valve	4-way 3-pos. Valve	Dimensions (mm)			Weight (kg)
						H1	H2	L	
Single-acting	1,0	XA11 ²⁾	–	•	–	152	–	–	8,6
	2,0	XA12 ²⁾	–	•	–	–	170	–	10,2
Single-acting	1,0	XA11G	•	•	–	152	–	–	8,8
	2,0	XA12G	•	•	–	–	170	–	10,4
Double-acting	1,0	XA11V	–	–	•	152	–	279	10,1
	2,0	XA12V	–	–	•	–	170	279	11,7
Double-acting	1,0	XA11VG	•	–	•	152	–	279	10,3
	2,0	XA12VG	•	–	•	–	170	279	11,9

¹⁾ High-Flow coupler CR400 and accessories must be ordered separately. ²⁾ Available as cylinder-pump set, see page 62.