

Overview



SITRANS Probe LU240 ultrasonic level transmitter, ideal for level, volume, and volume flow measurements. It works with liquids, slurries, and bulk materials up to 12 m (40 ft).

Benefits

- Continuous level measurement up to 12 m (40 ft) range
- Easy installation and simple startup
- Programming using 4-button HMI or SIMATIC PDM
- Communication using HART
- ETFE or PVDF transducers for chemical compatibility
- Process Intelligence signal processing
- Auto False Echo Suppression for fixed obstruction avoidance
- Low power and current startup
- Optional Bluetooth configuration and monitoring via SITRANS mobile IQ

Application

SITRANS Probe LU240 is ideal for level monitoring in the water and wastewater industry, chemical storage vessels, and small bulk hoppers.

The range of SITRANS Probe LU240 is 3, 6, or 12 m (10, 20, or 40 ft). Probe LU240 provides unmatched reliability, using Process Intelligence, Auto False Echo Suppression for fixed obstruction avoidance, and accuracy of 0.15 % of range or 6 mm (0.25 inch) (on 6 m and 12 m models only).

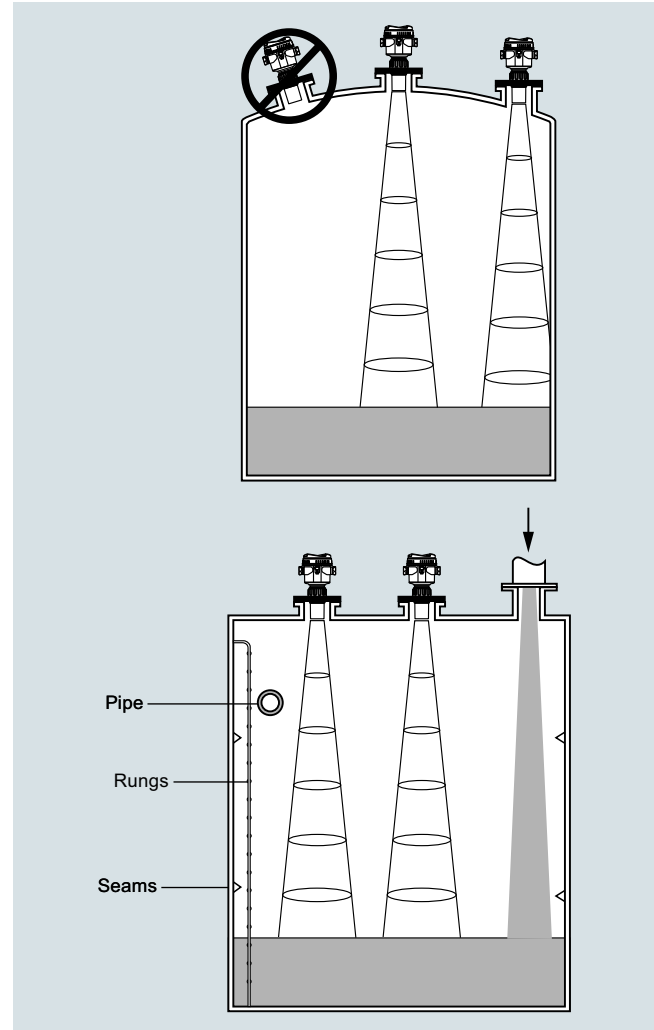
SITRANS Probe LU240 offers HART communication on certain models and mA output on all models.

SITRANS mobile IQ is a Bluetooth app that provides an intuitive interface to quickly configure, set up, and monitor SITRANS Probe LU240 series (available for Android, Apple, and Windows devices). For more information: <http://www.siemens.com/mobileIQ>.

The transducer on the Probe LU240 is available as ETFE or PVDF to suit the chemical conditions of your application. As well, for applications with varying material and process temperatures, Probe LU240 incorporates an internal temperature sensor to compensate for temperature changes.

- Key Applications: chemical storage vessels, filter beds, liquid storage vessels

Configuration



SITRANS Probe LU240 mounting

Level Measurement

Continuous level measurement
Ultrasonic transmitters

SITRANS Probe LU240

Technical specifications

Mode of operation		Process connection	
Measuring principle	Ultrasonic level measurement	Threaded connection	2" NPT [(Taper), ASME B1.20.1] R 2" [(BSPT), EN 10226] or G 2" [(BSPP), EN ISO 228-1]
Typical application	Level measurement in storage vessels and simple process vessels	Flange connection	3 inch (80 mm) universal flange
Inputs		Other connection	FMS 200 mounting bracket (see page 4/186) or customer supplied mount
Measuring range		Display and Controls	
• 3 m (10 ft)	0.2 ... 3 m (8 inch ... 10 ft)	Interface	Local: LCD display Remote: Available via HART or Bluetooth
• 6 m (20 ft) model	0.2 ... 6 m (8 inch ... 20 ft)	Configuration	4-button HMI
• 12 m (40 ft) model	0.2 ... 12 m (8 inch ... 40 ft)	Memory	Non-volatile EEPROM, no battery required
Frequency	54 kHz	Power supply	
Outputs		4 ... 20 mA/HART	10.5 ... 30 V DC
mA/HART		Certificates and Approvals	
• Range	4 ... 20 mA	General	FM, cCSA _{US} , CE, UKCA, RCM, EAC, KC, VLAREM II
• Accuracy	± 0.0096 mA	Hazardous	
• HART version	7	• Intrinsically Safe	
• Startup current	3.6 mA	- Europe	ATEX II 1G Ex ia IIC T4 Ga
• Fail-safe	Programmable as high, low, or hold (loss of echo) per NAMUR NE43	- UK	UKEX II 1G Ex ia IIC T4 Ga
Performance		- International	IECEx SIR 18.0013X Ex ia IIC T4 Ga
Resolution	≤ 3 mm (0.12 inch)	- USA/Canada	FM/cCSA _{US} Class I, Div. 1, Groups A, B, C, D, Class II, Div. 1, Groups E, F, G, Class III T4
Accuracy		- Brazil	INMETRO Ex ia IIC T4 Ga
3 m (10 ft) version	10 mm (0.39 inch)	- China	NEPSI Ex ia IIC T4 Ga
6 m (20 ft), 12 m (40 ft) version	<ul style="list-style-type: none"> ± the greater of 0.15 % of range or 6 mm (0.25 inch) [valid from 0.25 m (0.82 ft)] ± 2 mm (0.08 inch) on ranges 4 m (13 ft) or less 	- South Africa	SABS Ex ia IIC Tx Ga
Non-repeatability	≤ 3 mm (0.12 inch)	- Russia	EAC Ex 1G Ex ia IIC T4 Ga
Blanking distance	0.2 m (0.66 ft)	- Korea	KCs Ex ia IIC T4
Update time	≤ 4 s	• Non-incendive	
Temperature compensation	Built-in to compensate over temperature range	- USA	FM, Class I, Div. 2, Groups A, B, C, D Tx
Beam angle	10°	Marine	Lloyd's Register, American Bureau of Shipping (ABS), DNV GL, Bureau Veritas, CCS
Rated operating conditions		Metrological	MCERTS, CPA, Kazakhstan pattern approval
Ambient conditions		Radio (Bluetooth)	USA, Canada, EU, China
• Location	Indoor/outdoor		
• Ambient temperature	<ul style="list-style-type: none"> Storage: -40 ... +85 °C (-40 ... +185 °F) Operating: -40 ... +80 °C (-40 ... +176 °F) 		
• Relative humidity/ingress protection	Suitable for outdoor		
• Installation category	I		
• Pollution degree	4		
Medium conditions			
• Temperature at flange or threads	-40 ... +85 °C (-40 ... +185 °F)		
• Pressure (vessel)	0.5 bar g (7.25 psi g)		
Display	-20 ... +80 °C (-4 ... +176 °F)		
Design			
Material (enclosure)	PBT (Polybutylene Terephthalate)		
Degree of protection	Type 4X, Type 6, IP66, IP68		
Weight	0.93 kg (2.1 lb)		
Cable inlet	2 x M20 x 1.5 cable gland or 1 x ½" NPT thread		
Material (transducer)	ETFE (Ethylene Tetrafluoroethylene) or PVDF (Polyvinylidene Fluoride) Buna-N seal		

Selection and ordering data	Article No.	Order code
SITRANS Probe LU240 Ultrasonic level transmitter Continuous, non-contact, up to 12 m (40 ft) range. Monitors level, volume, and volume flow (model dependent) in liquids, slurries, and solids. With easy to use quick start wizards. Click on the Article No. for the online configuration in the PIA Life Cycle Portal.	7ML51 1 - 0 - 4	
Communications HART (4 ... 20 mA) level, volume, volume flow ⁵⁾ 4 ... 20 mA level ⁶⁾	0 7	
Ingress protection IP66, IP68, Type 4X, 6	1	
Measurement range/wetted parts 200 ... 3 000 mm (7.87 ... 118.11 inch), PVDF Copolymer 200 ... 3 000 mm (7.87 ... 118.11 inch), ETFE 200 ... 6 000 mm (7.87 ... 236.22 inch), PVDF Copolymer 200 ... 6 000 mm (7.87 ... 236.22 inch), ETFE 200 ... 12 000 mm (7.87 ... 472.44 inch), PVDF Copolymer 200 ... 12 000 mm (7.87 ... 472.44 inch), ETFE	B C D E G H	
Process connection 2" NPT [(Taper), ASME B1.20.1] R 2" [(BSPT), EN 10226] G 2" [(BSPP), EN ISO 228-1]	D E F	
Non-wetted parts Plastic (PBT/PC material)	7	
Type of protection Ordinary Locations/General Purpose (Non-Ex), cCSA _{US} , CE, UKCA, KC, RCM, EAC Ordinary Locations/General Purpose (Non-Ex), cCSA _{US} , FM, CE, UKCA, KC, RCM, EAC ¹⁾ Ex i (ia) (Ex-Zone 0/Div. 1)/IS, FM NI (Class I, Div. 2) ²⁾	A B C	
Electrical connections/cable entries 2 x M20 x 1.5 (one general purpose Polyamide cable gland and one Polyamide blocking plug provided) 1 x 1/2" NPT (no gland cable provided) For custom electrical connections/cable entries, contact a local sales person. For more information please visit: http://www.automation.siemens.com/aspa_app	F K	
Local HMI Without display (blind lid of PBT/PC material) With display (blind lid of PBT/PC material) With display (clear lid of PC material)	0 1 3	
		Further designs Please add "-Z" to Article No. and specify Order code(s). Stainless steel tag [13 x 45 mm (0.5 x 1.75 inch)]: Measuring-point number/identification (max. 32 characters) specify in plain text Certificates Test certificate: Manufacturer's test certificate M to DIN 55350, Part 18 and ISO 9000 Certificate EN 10204-2.2 Wireless communication Bluetooth ⁷⁾ Approvals³⁾ ATEX II 1G Ex ia IIC T4 Ga, Ta = -40 °C to +80 °C; UKEX II 1G Ex ia IIC T4 Ga, Ta = -40 °C to +80 °C; IECEx Ex ia IIC T4 Ga, Ta = -40 °C to +80 °C; EAC Ex 0Ex ia IIC T4 Ga, IP67/IP68; SABS Ex ia IIC T4 Ga, Ta = -40 °C to +80 °C FM non-incendive - Class I, Div. 2, Groups A, B, C, D T5 (Ta = 80 °C), T6 (Ta = 40 °C) ¹⁾ NEPSI, KCs, IECEx - Ex ia IIC T4 Ga cCSA _{US} , KCs, FM - Class I, II, III, Div. 1, Groups A, B, C, D, E, F, G, T4, INMETRO, IECEx - Ex ia IIC T4 Ga ¹⁾ Marine approvals⁴⁾ DNV-GL Det Norske Veritas/Germanischer Lloyd LR Lloyds Register BV Bureau Veritas ABS American Bureau of Shipping China Classification Society (CCS) For customs, contact a local sales person. For more information please visit http://www.automation.siemens.com/aspa_app .
		Operating Instructions All literature is available to download for free, in a range of languages, at http://www.siemens.com/processinstrumentation/documentation
		Order code Y15 C11 C14 F50 E31 E32 E33 E34 E50 E51 E52 E53 E58

Level Measurement

Continuous level measurement

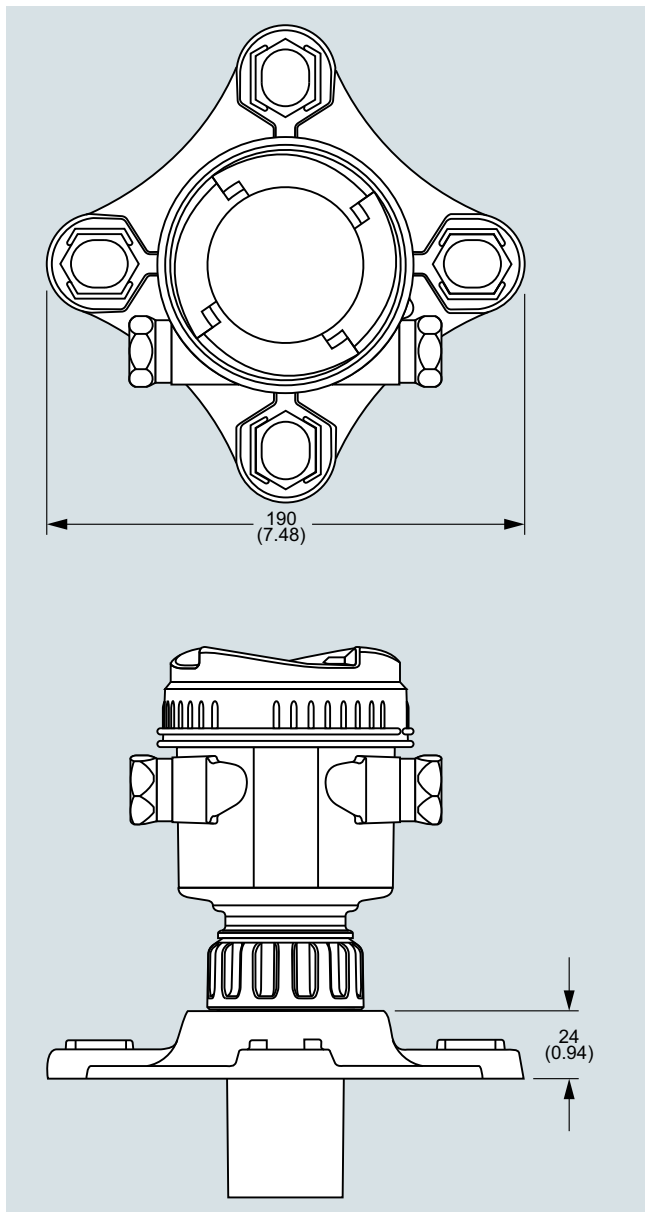
Ultrasonic transmitters

SITRANS Probe LU240

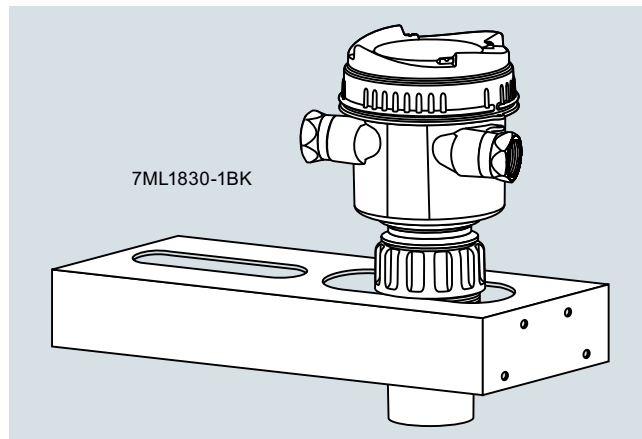
<i>Accessories</i>	Article No.
Tag, stainless steel, 12 x 45 mm, one text line (max. 16 characters)	7ML1930-1AC
Stainless steel FMS200 universal box bracket mounting kit	7ML1830-1BK
3" ASME/DIN Universal mounting adapter, 2" NPT, ETFE	7ML1830-1BT
3" ASME/DIN Universal mounting adapter, 2" BSP, ETFE	7ML1830-1BU
2" NPT nylon plastic locknut	7ML1830-1DT
2" BSP nylon plastic locknut	7ML1830-1DQ
Cable Gland Polyamide - General Purpose (-20 ... +60 °C)	A5E34457564
Bluetooth kit	A5E50514198
SITRANS LT500, a versatile, single and multi-vessel level monitor/controller for virtually any application in a wide range of industries.	7ML60..-.....-....
<i>Spare Parts</i>	
Spare lid, clear	A5E44267491
Spare lid, blind	A5E44267497
Spare o-ring for lid	A5E44267501
Spare segmented display and 4-button HMI	A5E44809382

- 1) Available only with Electrical connections/cable entries option K only.
- 2) Available only with order codes E31, E32, E33, and E34.
- 3) Order codes E31, E32, E33, E34 only available with Type of protection option C.
- 4) Order codes E50, E51, E54, E53, E58 only available with Communications option 0.
- 5) Available only with Measurement range/wetted parts options D, E, G, and H.
- 6) Available only with Measurement range/wetted parts options B and C.
- 7) Available only with Type of protection options A and B.

Options



SITRANS Probe LU240 optional flange adapter, dimensions in mm (inch)

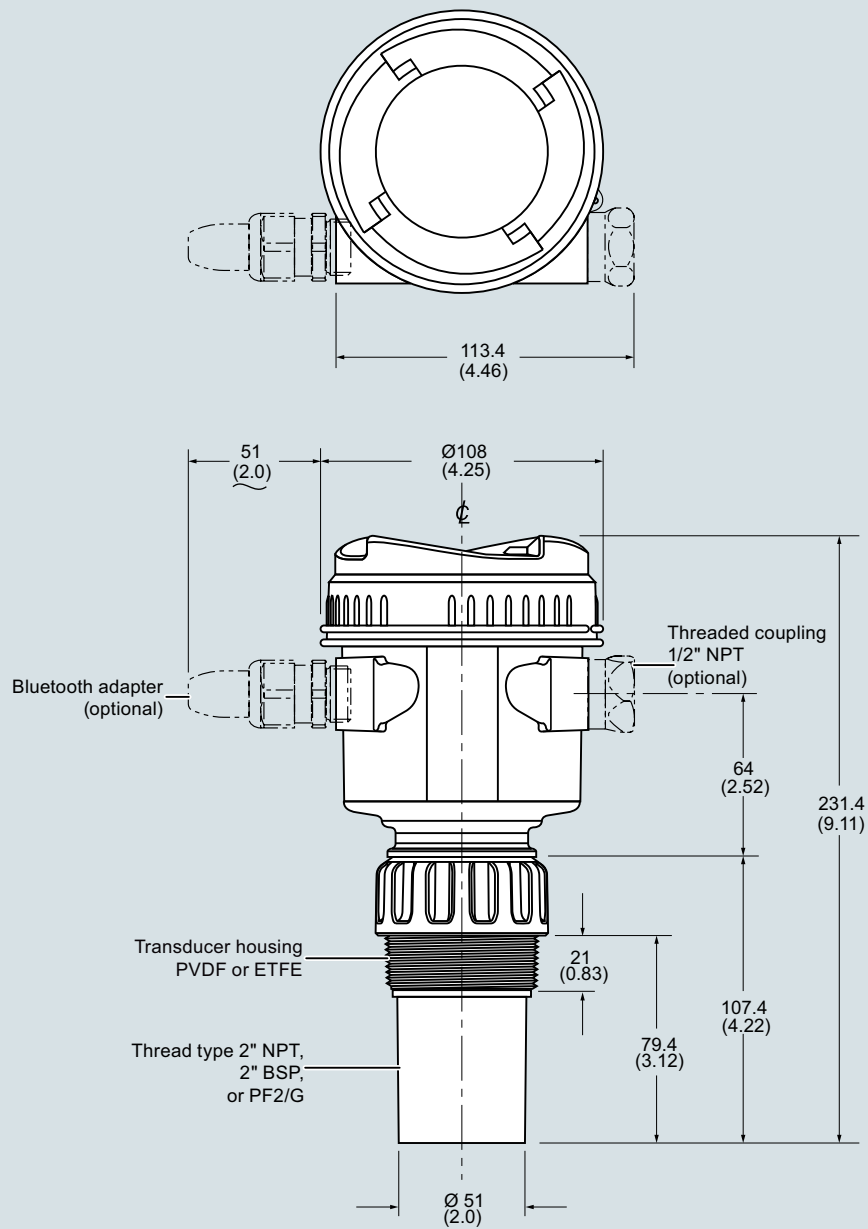


SITRANS Probe LU240 with optional FMS 200 universal box bracket

Level Measurement

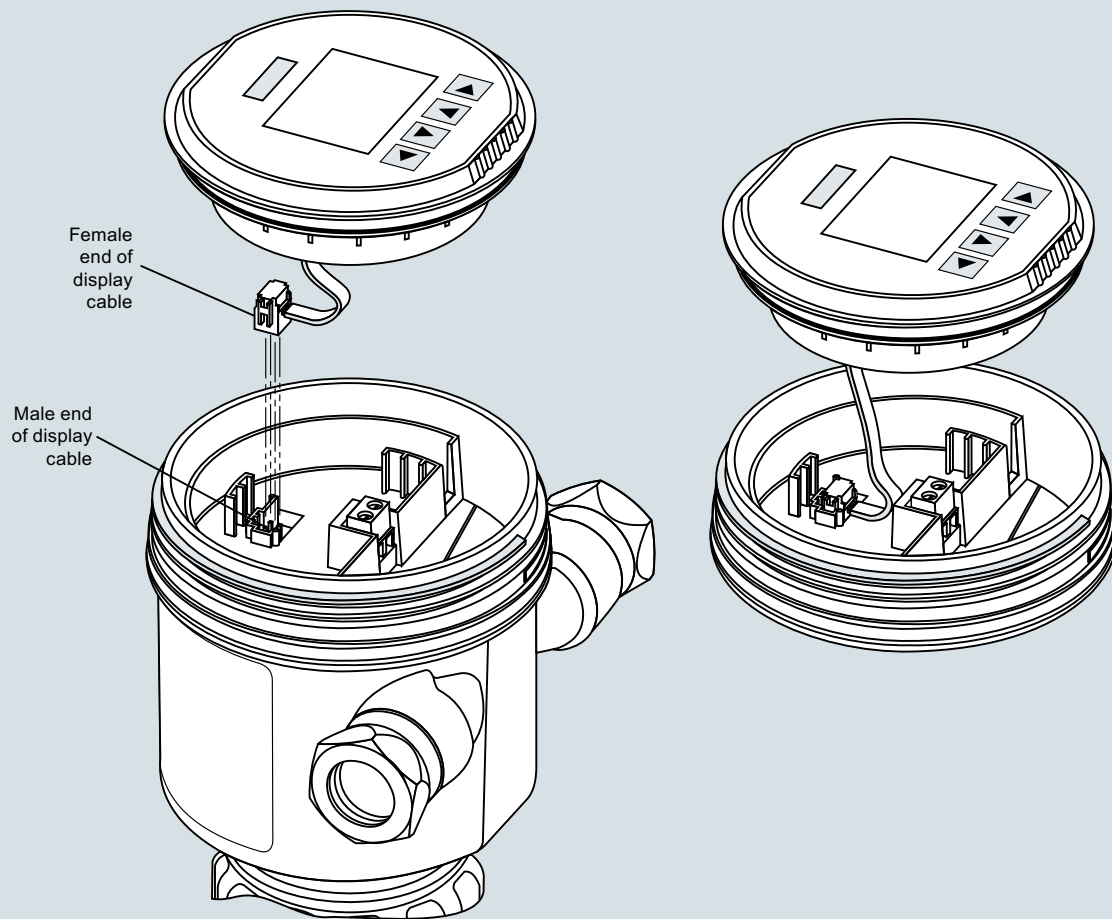
Continuous level measurement

Ultrasonic transmitters

SITRANS Probe LU240**Dimensional drawings**

SITRANS Probe LU240, dimensions in mm (inch)

Circuit diagrams



SITRANS Probe LU240 connections