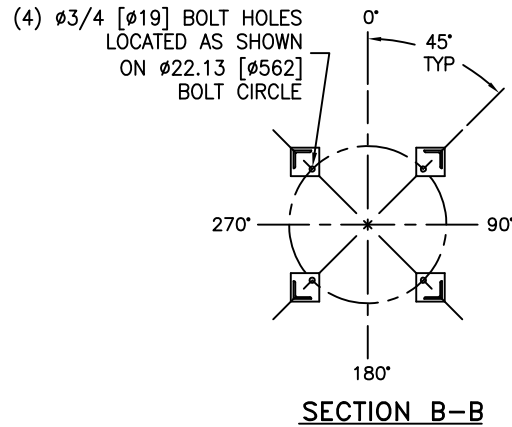
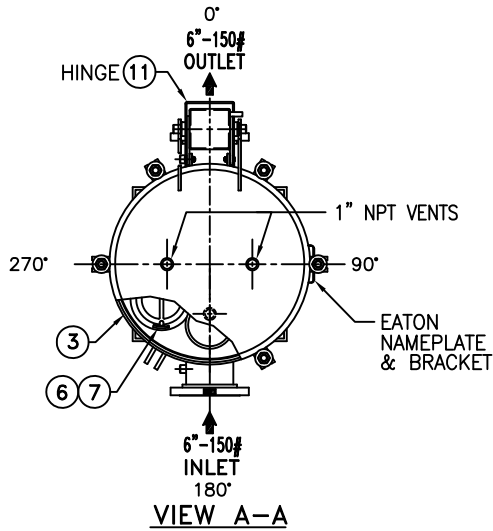
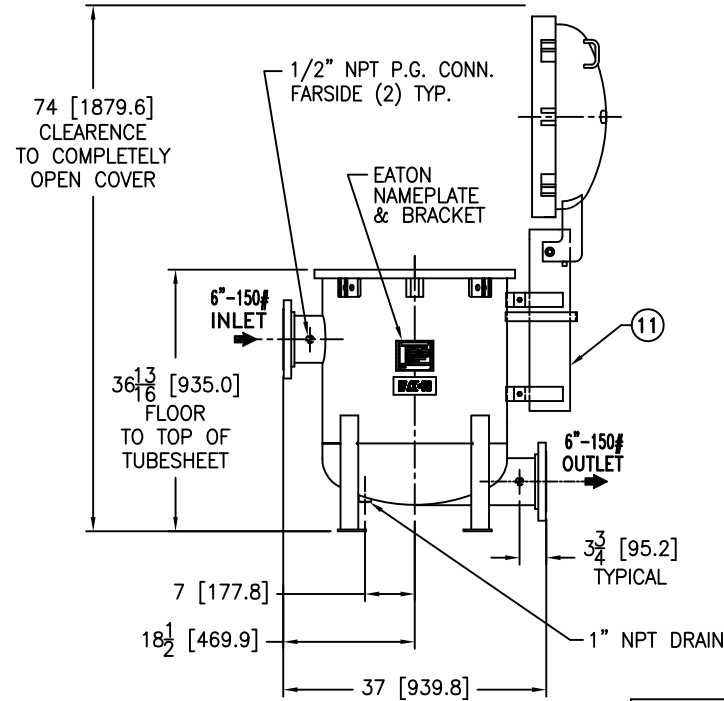
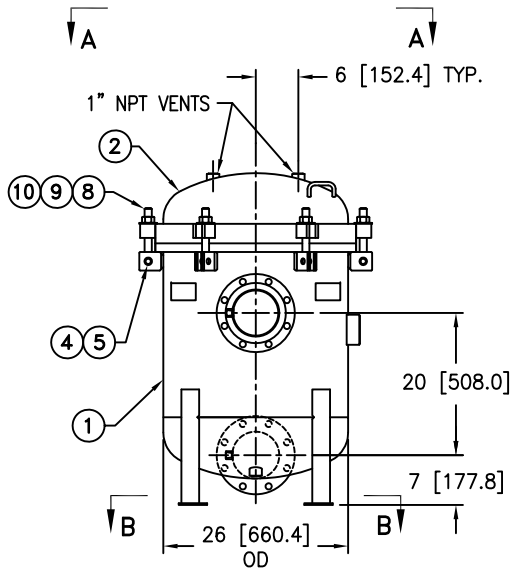


REVISIONS

REV	DESCRIPTION	BY	ECO	DATE
C	UPDATE DRAWING	FJM	0096801	04/14/14



ITEM	PART NAME	MATERIAL
1	BODY	SA240-304/304L
2	COVER	SA240-304/304L
3	O-RING P/N 2375036593	BUNA-N
4	PIN	SA193 B7 ZINC PL
5	SNAP RING	STEEL ZINC PL
6	RESTRAINER BASKET P/N L0001753	316 SS
7	FILTER BAG RETAINER	316 SS
8	EYE BOLT	SA354 BD ZINC PL
9	HEX NUT	SA194 2H ZINC PL
10	WASHER	STEEL ZINC PL
11	SPRING ASSISTED MECHANISM	STAINLESS STEEL



NOTES:

- UNITS ARE TO BE DESIGNED, FABRICATED & "U" STAMPED IN ACCORDANCE WITH ASME SECT. VIII, DIV. 1 BOILER & PRESSURE VESSEL CODE, IN COMPLIANCE TO LATEST ADDENDA.
- INLET / OUTLET FLANGE CONNECTIONS PER ANSI B 16.5.
- DESIGN PRESSURE: 150 PSI (MAWP)
DESIGN TEMPERATURE 250° F.
MDMT - -20° F @ 150 PSI.
- DIMENSIONS SHOWN IN [] ARE IN MILLIMETERS AND FOR REFERENCE ONLY. ACCEPTANCE OF THIS PART WILL BE BASED ON "INCH" UNITS & TOLERANCES ONLY.
- ALL BOLT HOLES ARE TO STRADDLE NATURAL CENTERLINES.
- APPROX. WEIGHT (DRY) 810 LB. (367 kgs.)
- APPROX. SHIPPING WEIGHT 935 LB. (424 kgs.)

VESSEL CODE: MBF-0602-BB10-060A-UT-11HE

DRAWN BY FJM	EATON EATON FILTRATION, LLC DESIGN CENTER TINTON FALLS, NEW JERSEY, USA • PORTAGE, MICHIGAN, USA
SCALE AS DRAWN	
RESTRICTION RESTRICTED	TITLE MAXILINE (MBF-0602 HE) FILTER VESSEL 6" 150# RF INLET / TANGENTIAL OUTLET SS-304 W/BUNA O-RING
SHEET 1 OF 1	DATE 05/01/06
PROJECTION THIRD ANGLE	SIZE A
	DWG FILENAME HE0606TS-304
	REV C

CUSTOMER INFO	
NAME	
P.O. NO.	
S.O. NO.	
QUANTITY	
PART NO.	F3AV060001-304

TOLERANCES (UNLESS OTHERWISE SPECIFIED)	
DECIMAL:	.X ± .030 .XX ± .010 .XXX ± .005
FRACTIONAL:	$\frac{1}{16}$ ± .005 $\frac{1}{8}$ ± .010 $\frac{1}{4}$ ± .020
NOZZLE ϕ TO FLOOR:	$\frac{1}{8}$ " < 4' > $\frac{1}{4}$ "
FACE TO FACE:	$\frac{1}{8}$ " < 4' > $\frac{1}{4}$ "
ANGULAR:	± 1°
FLANGES (H/V):	± $\frac{1}{2}$ "
VESSEL OVERALL HT:	1"

REVIEWED FOR CLASSIFICATION PER PR-4

CRITICAL SIGNIFICANT

EATON CORPORATION - CONFIDENTIAL AND PROPRIETARY NOTICE TO PERSONS RECEIVING THIS DRAWING AND/OR TECHNICAL INFORMATION
THIS DOCUMENT, INCLUDING THE DRAWING AND INFORMATION CONTAINED THEREIN IS CONFIDENTIAL AND IS THE EXCLUSIVE PROPERTY OF EATON AT ANY TIME. BY TAKING
THE POSSESSION OF THIS DOCUMENT THE RECIPIENT ACKNOWLEDGES AND AGREES THAT THIS DOCUMENT CANNOT BE USED IN ANY MANNER ADVERSE TO THE INTEREST OF
EATON AND THAT NO PORTION OF THIS DRAWING MAY BE COPIED OR OTHERWISE REPRODUCED WITHOUT THE PRIOR WRITTEN CONSENT OF EATON. IN THE CASE OF
CONFLICTING CONTRACTUAL PROVISIONS, THIS NOTICE SHALL GOVERN THE STATUS OF THIS DOCUMENT.
2014 EATON CORPORATION - ALL RIGHTS RESERVED.