

## Stacked Disc Cartridge Housing BECO INTEGRA® DISC ...../6P

### Enclosed Stacked Disc Cartridge Housing in Sanitary Design

**BECO INTEGRA DISC stacked disc cartridge housing is an enclosed depth filtration system for clarification and sterile filtration of liquids in biotechnology and pharmaceutical industries.**

#### Special Features

- CIP/SIP cleaning of the enclosed system without stacked disc cartridges is possible
- Completely drain housing through specially designed base
- Easy handling thanks to v-clamp closure for 12" and 16" stacked disc cartridge housings
- Low capital costs with relatively large filter areas and simple integration into existing processes
- Variable application using stacked disc cartridges with flat or double O-ring adapter. Variable column heights allow for adaptable filter area
- Small footprint through compact design and easy integration into the filtration process
- The design and construction of BECO INTEGRA DISC ..../6P housing complies with the requirements of the cGMP guidelines and the FDA regulations

Customized housings or additional components allow for system expansion or complete systems according to customer specifications



#### Technical Data

<b>Operating pressure liquids and gases:</b>	max. 87 psi (600 kPa/6 bar)
<b>Operation temperature:</b>	-4/+284 °F (-20/+140 °C)



Type	Filter area* ft <sup>2</sup> (m <sup>2</sup> )	Stacked disc cartridges	Dimensions A / B / C / D / E / F in (mm)	Vessel volume gal (l)	Article no. flat adapter F	Article no. double O- ring S	Weight ≈ lb (kg)
12"/1F(S)5../6P	6.4 (0.59)	1 x 12"	17.36/7.72/12.76/6.30/1/1 (441/196/324/160/1"/1")	0.44 (13)	MPF1K210	MPS1K210	88.2 (40)
12"/1F(S)9../6P	11.8 (1.10)	1 x 12"	21.10/11.46/12.76/6.30/1/1 (536/291/324/160/1"/1")	0.71 (21)	MPF1M210	MPS1M210	94.8 (43)
12"/1F(S)../6P	20.5 (1.90*)	1 x 12"	24.29/14.65/12.76/6.30/1/1 (617/372/324/160/1"/1.5")	0.91 (27)	MPF1G210	MPS1G210	99.2 (45)
12"/2F(S)../6P	40.9 (3.80*)	2 x 12"	41.42/28.58/12.76/6.30/1/1.5 (1,052/726/324/160/1"/1.5")	1.86 (55)	MPF2G215	MPS2G215	143.3 (65)
12"/3F(S)../6P	61.4 (5.70)*	3 x 12"	52.24/39.41/12.76/6.30/1/1.5 (1,327/1,001/324/160/1"/1.5")	2.57 (76)	MPF3G215	MPS3G215	187.4 (85)
12"/4F(S)../6P	81.8 (7.60*)	4 x 12"	63.07/50.24/12.76/6.30/1/1.5 (1,602/1,276/324/160/1"/1.5")	3.31 (98)	MPF4G215	MPS4G215	231.5 (105)
16"/1F(S)../6P	39.8 (3.70*)	1 x 16"	32.68/20.00/17.72/9.84/1.5/2 (830/508/450/250/1,5"/2")	2.30 (68)	MPF1G620	MPS1G620	231.5 (105)
16"/2F(S)../6P	79.7 (7.40*)	2 x 16"	43.70/30.83/17.72/9.84/1.5/2 (1,110/783/450/250/1,5"/2")	3.69 (109)	MPF2G620	MPS2G620	264.6 (120)
16"/3F(S)../6P	119.5 (11.10*)	3 x 16"	54.33/41.65/17.72/9.84/1.5/2 (1,380/1,058/450/250/1,5"/2")	5.11 (151)	MPF3G620	MPS3G620	297.6 (135)
16"/4F(S)../6P	159.3 (14.80*)	4 x 16"	65.35/52.48/17.72/9.84/1.5/2 (1,660/1,333/450/250/1,5"/2")	6.53 (193)	MPF4G620	MPS4G620	330.7 (150)

\* if stacked disc cartridges with 16 cells are used

#### Materials

<b>Parts in contact with product:</b>	Stainless steel AISI 316L
<b>Other Parts:</b>	Stainless steel AISI 304
<b>Gaskets/O-rings:</b>	EPDM, alternatively silicone, Viton, FEP coated (FDA listed)

#### Surface Treatment

<b>Parts in contact with product:</b>	Ground to Ra ≤ (0.8 μm), electro polished
<b>Other Parts:</b>	Ground to Ra ≤ (1.6 μm), electro polished

#### Connections

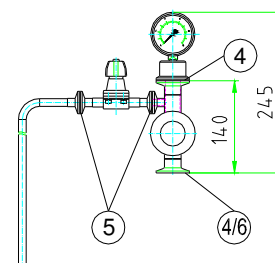
<b>Filter inlet/outlet:</b>	Tri-clamp, ASME BPE alternatively ISO 2852, DIN 32676, others
-----------------------------	---

#### Manufactured and inspected

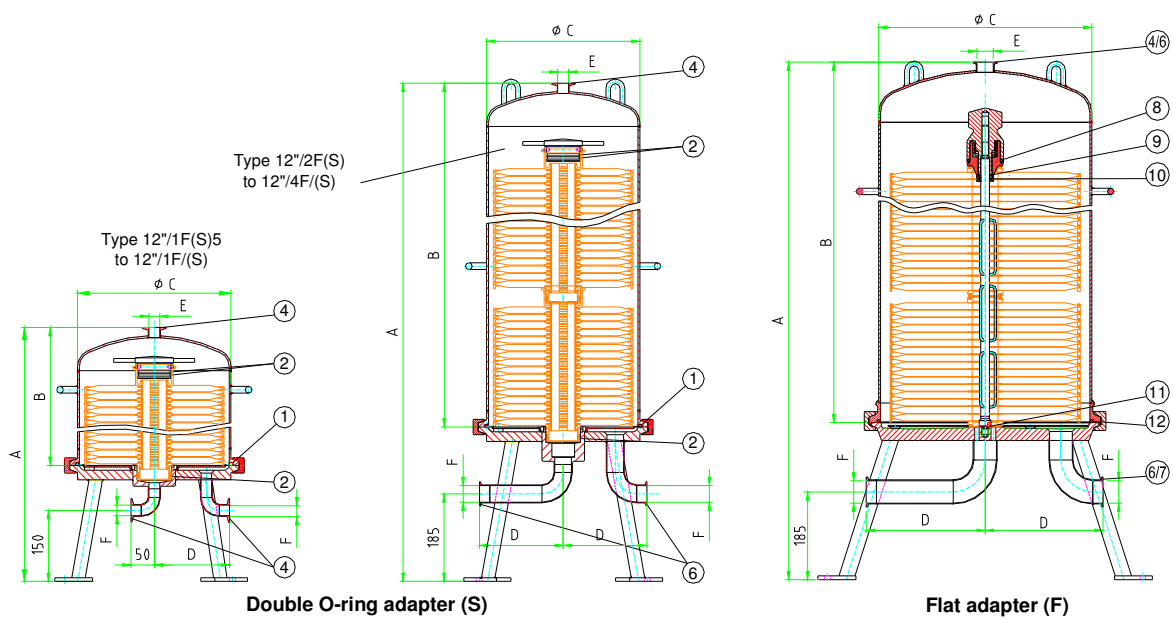
According to Pressure Equipment Directive (PED) 2014/68/EC (AD-2000 regulations). Classification as fluid group 1, dangerous liquids and gases

Type	Vent unit
12"/1F(S)5../6P	P84 00 201
12"/1F(S)9../6P	P84 00 201
12"/1F(S)../6P	P84 00 201
12"/2F(S)../6P	P84 00 202
12"/3F(S)../6P	P84 00 202
12"/4F(S)../6P	P84 00 202
16"/1F(S)../6P	P84 00 203
16"/2F(S)../6P	P84 00 203
16"/3F(S)../6P	P84 00 203
16"/4F(S)../6P	P84 00 203

Vent unit



Pos.	Description	Silicone	EPDM	Viton	FEP coated
1	O-ring (12")	P88 00 404	P88 00 102	P88 00 501	P88 00 601
2	O-ring	530 70 911	530 70 912	530 70 913	MDE 28 F12
4	Clamp gasket 1"	P88 00 701	P88 00 702	P88 00 703	P88 00 704
5	Clamp gasket 1/2"	P88 00 705	P88 00 706	P88 00 707	P88 00 708
6	Clamp gasket 1 1/2"	P88 00 709	P88 00 710	P88 00 711	P88 00 712
7	Clamp gasket 2"	P88 00 713	P88 00 714	P88 00 715	P88 00 716
8	O-ring	P88 00 135	P88 00 132	P88 00 136	-
9	O-ring	P88 00 137	P88 00 130	P88 00 138	-
10	O-ring	P88 00 139	P88 00 129	P88 00 140	-
11	O-ring	P88 00 402	P88 00 131	P88 00 502	P88 00 602
12	O-ring (16")	P45 00 964	P88 00 133	MGE 20 V16	P88 00 107



**North America**

44 Apple Street  
Tinton Falls, NJ 07724  
Toll Free: 800 656-3344  
(North America only)  
Tel: +1 732 212-4700

**Europe/Africa/Middle East**

Auf der Heide 2  
53947 Nettersheim, Germany  
Tel: +49 2486 809-0

Friedensstraße 41  
68804 AltluBheim, Germany  
Tel: +49 6205 2094-0

An den Nahewiesen 24  
55450 Langenlonsheim, Germany  
Tel: +49 6704 204-0

**China**

No. 3, Lane 280,  
Linhong Road  
Changning District, 200335  
Shanghai, P.R. China  
Tel: +86 21 5200-0099

**Singapore**

4 Loyang Lane #04-01/02  
Singapore 508914  
Tel: +65 6825-1668

**Brazil**

Rua Clark, 2061 - Macuco  
13279-400 - Valinhos, Brazil  
Tel: +55 11 3616-8400

**For more information, please  
email us at [filtration@eaton.com](mailto:filtration@eaton.com)  
or visit [www.eaton.com/filtration](http://www.eaton.com/filtration)**

EN  
1 A 2.6.19.1  
12-2016

© 2016 Eaton. All rights reserved. All trademarks and registered trademarks are the property of their respective owners. All information and recommendations appearing in this brochure concerning the use of products described herein are based on tests believed to be reliable. However, it is the user's responsibility to determine the suitability for his own use of such products. Since the actual use by others is beyond our control, no guarantee, expressed or implied, is made by Eaton as to the effects of such use or the results to be obtained. Eaton assumes no liability arising out of the use by others of such products. Nor is the information herein to be construed as absolutely complete, since additional information may be necessary or desirable when particular or exceptional conditions or circumstances exist or because of applicable laws or government regulations.



*Powering Business Worldwide*