



# Universal Indicating Unit

for all Inputs  
(Frequency, Current, Voltage)



measuring  
•  
monitoring  
•  
analysing

Model: ADI-1...S

ADI-1

Model: ADI-1...



Option  
wall mounting



Model: ADI-1...R



Option  
pipe mounting  
bracket

- Panel mounting and field housing
- Bargraph and digital display
- User scaling
- 2 limit values
- Min/max memory
- Protection IP 65
- Simple button programming
- Sensor supply
- Totaliser



KOBOLD companies worldwide:

ARGENTINA, AUSTRALIA, AUSTRIA, BELGIUM, BULGARIA, CANADA, CHILE, CHINA, COLOMBIA, CZECHIA, EGYPT, FRANCE, GERMANY, GREAT BRITAIN, HUNGARY, INDIA, INDONESIA, ITALY, MALAYSIA, MEXICO, NETHERLANDS, PERU, POLAND, REPUBLIC OF KOREA, ROMANIA, SINGAPORE, SPAIN, SWITZERLAND, TAIWAN, THAILAND, TUNISIA, TURKEY, USA, VIETNAM

KOBOLD Messring GmbH  
Nordring 22-24  
D-65719 Hofheim/Ts.  
Head Office:  
+49(0)6192 299-0  
+49(0)6192 23398  
info.de@kobold.com  
www.kobold.com

**Description**

The KOBOLD indication unit is used for displaying and processing of process values. Frequencies or standard current/voltage signals may be processed as input signals. Most output signals from transducers can thus be displayed. The indication is displayed via a 5 digit display and a 55 point bargraph. All internal process parameters in different configurations can thus be displayed.



All programming is done with 4 front buttons in three different programming modes. 4 internal alarm parameters can be freely assigned to the 2 limit switches, on the optional analogue output, or on the display elements. Using the corresponding totaliser and alarm correlation basic dosing functions can be realised. Various alarm and control functions can be triggered by the digital control input or by pressing a button.

**The device has the following functions as standard:**

- 4-button programming, user scaling
- MIN/MAX memory, HOLD function
- Sensor linearisation, attenuation function, logic function
- Digital control input, free allocable
- 2 change-over contacts
- Totaliser

**Besides the standard functions the device can also be fitted with the following options:**

- Analogue output 0(4)-20 mA, 0-10 V<sub>DC</sub>
- Sensor supply

**Technical Details**

Bargraph: arrangement of 55 LEDs: round, 270°, free scaleable, standard: 0-100 %  
 Digital display: 5-digits, 14 mm high red LED display, programmable decimal-point setting  
 Display range: -19999...+19999

Display time: 0.1-10 s, programmable  
 Measuring error: ±0,1 % of measuring range; ±1 digit (Norm signal)  
 0.05 % of measuring range; ±1 digit (frequency signal)  
 Temperature drift: 50 ppm/K  
 Measurement inputs:  
 ● Norm signals ("V")  
 -12...+12 V<sub>DC</sub> at Ri = approx. 200 kΩ  
 -22...+24 mA<sub>DC</sub> at Ri = approx. 100 Ω  
 1...24 mA<sub>DC</sub> at Ri = approx. 100 Ω  
 Pre-calibrated ranges:  
 0...10 V; 0...20 mA; 4...20 mA  
 or  
 ● frequency input ("F"):  
 0.01 Hz...99.999 kHz  
 Sensor supply:  
 ● option "W" 24 V<sub>DC</sub> ± 10 %, max. 50 mA  
 ● option "V" 12 V<sub>DC</sub> ± 5 %, max. 20 mA  
 ● option "U" 5 V<sub>DC</sub> ± 5 %, max. 20 mA  
 Digital input: max. 30 V<sub>DC</sub>, > 10 V HIGH; < 2.4 V LOW, Ri approx. 5 kΩ  
 Power supply:  
 ● Version "0"  
 100...240 V<sub>AC</sub> ± 10 %, 50/60 Hz, max. 15 VA  
 100...240 V<sub>DC</sub>, max. 15 W  
 ● version "3"  
 18...30 V<sub>AC</sub>, 50/60 Hz, max. 15 VA  
 10...40 V<sub>DC</sub>, 15 W  
 Limit values: 2 relay changeover contacts  
 max. 250 V<sub>AC</sub>/5 A (resistive load)  
 max. 30 V<sub>DC</sub>/5 A  
 Analogue output: 0-20 mA, 4-20 mA (load < 360 Ω)  
 (Option) and 0-10 V<sub>DC</sub>, (load > 10 kΩ)  
 Output errors: 0.1% of full scale  
 Storage temperature: -20...+80 °C  
 Ambient temperature: 0...+50 °C  
 Housing material: Noryl, glass fibre coated  
 Protection: front IP65, terminal IP00  
 Connection: pluggable terminal block  
 cable cross-section 2.5 mm<sup>2</sup>  
 Weight: approx. 700 g

**Order Details (Example: ADI-1 V 0 0 0 20 0)**

Model	Description	Input	Supply (galvanically isolated)	Output	Sensor supply	Contacts	Housing	Special
ADI-1..	Indicating unit 96 x 96 mm with bargraph display, linearisation, min/max memory 2 change-over contacts	V = 0-20 mA, 4-20 mA 0-5 V, 0-10 V F = Frequency input 0.01-100 kHz	0 = 100...240 V <sub>AC/DC</sub> 3 = 18...30 V <sub>AC</sub> 10...40 V <sub>DC</sub>	0 = without 4 = 0(4)-20 mA 0-10V	0 = without U = 5 V <sub>DC</sub> V = 12 V <sub>DC</sub> W = 24 V <sub>DC</sub>	2 = 2 change-over contacts	0 = installation housing	0 = without Y = special (please specify in clear text)



**Description**

The KOBOLD indication unit is used for displaying and processing of process values. Frequencies or standard current/voltage signals may be processed as input signals. Most output signals from transducers can thus be displayed. The indication is displayed via a 5 digit display and a 55 point bargraph. All internal process parameters in different configurations can thus be displayed.



All programming is done with 4 front buttons in three different programming modes. 4 internal alarm parameters can be freely assigned to the 2 limit switches, on the optional analogue output, or on the display elements. Using the corresponding totaliser and alarm correlation basic dosing functions can be realised. Various alarm and control functions can be triggered by the digital control input or by pressing a button.

**The device has the following functions as standard:**

- 4-button programming, user scaling
- MIN/MAX memory, HOLD function
- Sensor linearisation, attenuation function, logic function
- Digital control input, free allocable
- 2 change-over contacts
- Totaliser

**Besides the standard functions the device can also be fitted with the following options:**

- Analogue output 0(4) - 20 mA, 0 - 10 V<sub>DC</sub>
- Sensor supply

**Technical Details**

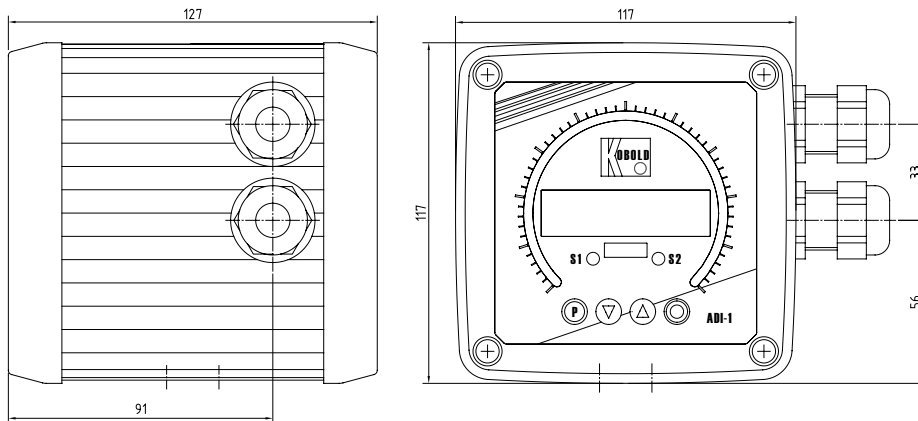
**Bargraph:** arrangement of 55 LEDs: round, 270°, free scaleable, standard: 0 - 100 %  
**Digital display:** 5-digits, 14 mm high red LED display, programmable decimal-point setting  
**Display range:** -19999 ... +19999

**Display time:** 0.1-10 s, programmable  
**Measuring error:** ±0,1 % of measuring range; ±1 digit (Norm signal) 0,05 % of measuring range; ±1 digit (frequency signal)  
**Temperature drift:** 50 ppm/K  
**Measurement inputs:** ● norm signals ("V") -12...+12 V<sub>DC</sub> at Ri = approx. 200 kΩ -22...+24 mA<sub>DC</sub> at Ri = approx. 100 Ω 1...24 mA<sub>DC</sub> at Ri = approx. 100 Ω pre-calibrated ranges: 0...10 V; 0...20 mA; 4...20 mA or ● frequency input ("F"): 0.01 Hz...99.999 kHz  
**Sensor supply:** ● option "W" 24 V<sub>DC</sub> ± 10 %, 50 mA max. ● option "V" 12 V<sub>DC</sub> ± 5 %, 20 mA max. ● option "U" 5 V<sub>DC</sub> ± 5 %, 20 mA max.  
**Digital input:** max. 30 V<sub>DC</sub>, > 10 V HIGH; < 2.4 V LOW, Ri approx. 5 kΩ  
**Power supply:** ● version "0" 100...240 V<sub>AC</sub> ± 10 %, 50/60 Hz, max. 15 VA 100...240 V<sub>DC</sub>, max. 15 W ● version "3" 18...30 V<sub>AC</sub>, 50/60 Hz, max. 15 VA 10...40 V<sub>DC</sub>, 15 W  
**Limit values:** 2 relay changeover contacts max. 250 V<sub>AC</sub>/5 A (resistive load) max. 30 V<sub>DC</sub>/5 A  
**Analogue output:** (Option) 0-20 mA, 4-20 mA (load < 360 Ω) und 0-10 V<sub>DC</sub>, (load > 10 kΩ)  
**Output errors:** 0,1% of full scale  
**Storage temperature:** -20...+80 °C  
**Ambient temperature:** supply ("0"): -20...+60 °C supply ("3"): -20...+80 °C  
**Housing material:** aluminum (powder coated), PA 66  
**Protection:** IP65  
**Mounting:** wall and pipe mounting  
**Connection:** pluggable terminal block (internal) cable glands: PG 13,5  
**Weight:** approx. 1500 g

**Order Details** (Example: ADI-1 V 0 0 0 2 F 0)

Model	Description	Input	Supply (electr. isolated)	Output	Sensor supply	Contacts	Housing	Special
ADI-1..	Indicating unit with bargraph display, linearisation, min/max memory 2 change-over contacts	V = 0-20 mA, 4-20 mA 0-5 V, 0-10 V F = Frequency input 0,01-100kHz	0 = 100...240 V <sub>AC/DC</sub> 3 = 18...30 V <sub>AC</sub> 10...40 V <sub>DC</sub>	0 = without 4 = 0(4) - 20 mA 0 - 10V	0 = without U = 5 V <sub>DC</sub> V = 12 V <sub>DC</sub> W = 24 V <sub>DC</sub>	2 = 2 change-over contacts	F = field housing S = field housing with wall mounting; finely rotatable R = field housing with pipe mounting; for 2" piping	0 = without Y = special (please specify in clear text)

**Dimensions**  
Field Housing



**Panel Mounting**

