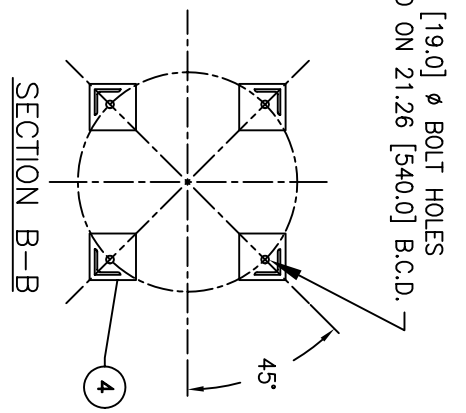


VIEW A-A



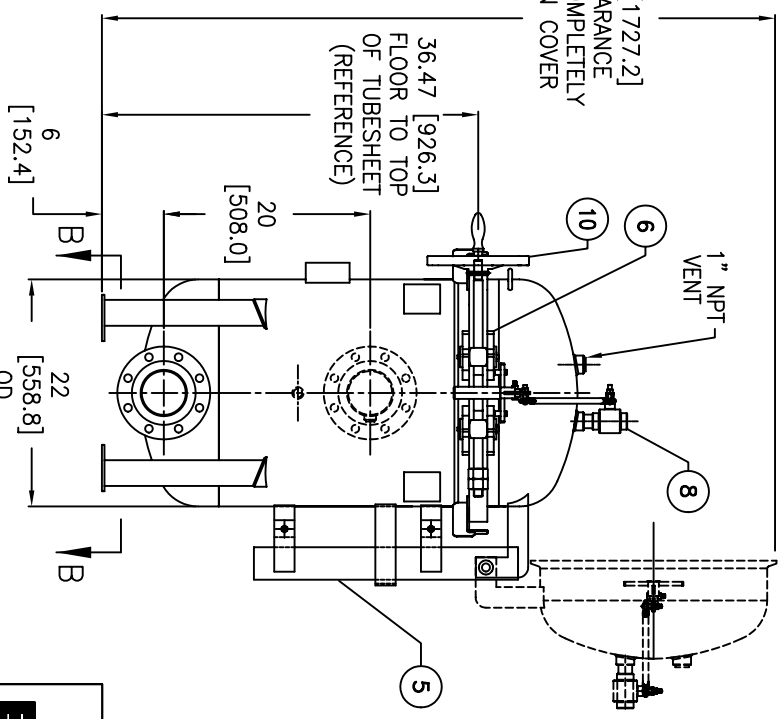
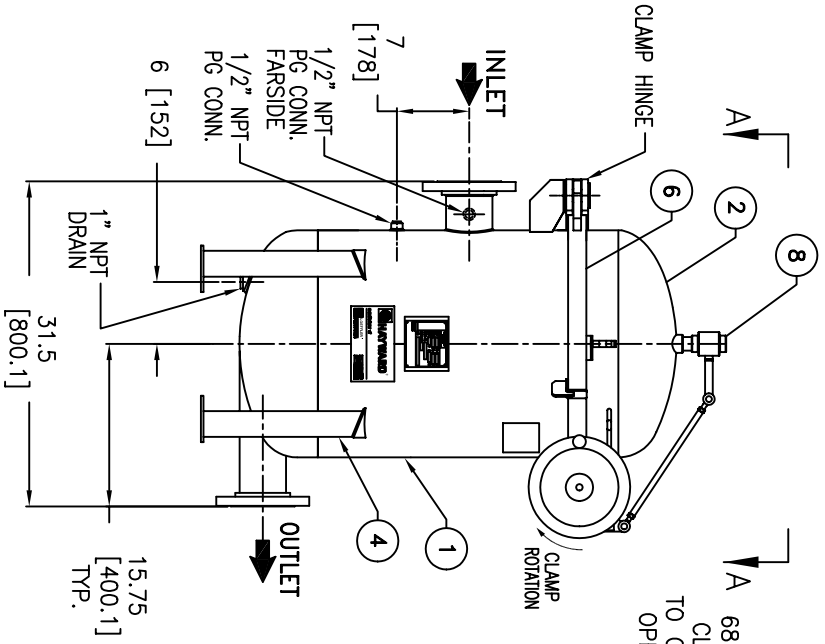
SECTION B-B

(4) .75 [19.0] Ø BOLT HOLES
LOCATED ON 21.26 [540.0] B.C.D.

ITEM	PART NAME	MATERIAL
1	BODY	SA240-316/316L
2	COVER	SA240-316/316L
3	O-RING	BUNA-N
4	LEGS	STAINLESS STEEL
5	SPRING ASSISTED MECHANISM	STAINLESS STEEL
6	CLAMP ASSEMBLY	STAINLESS STEEL
7	FILTER BAG HOLD DOWN	316 SS
8	1" VENT VALVE ASSY.	316 SS
9	SPINDLE BOLT	SA193-B7 NEDOX COATED
10	SPINDLE HANDLE	ALUMINUM (BLACK COATED)

NOTES:

- UNITS ARE DESIGNED, FABRICATED & U STAMPED IN ACCORDANCE WITH ASME SECT. VIII, DIV. 1 BOILER & PRESSURE VESSEL CODE, IN COMPLIANCE TO LATEST ADDENDA.
- INLET/OUTLET FLANGE CONNECTIONS PER ANSI B16.5
- DESIGN PRESSURE: 150 PSIG @ 250°F (10.3 BAR @ 121.1°C)
- ALL DIMENSIONS ARE IN INCHES / [mm]
- ALL BOLT HOLES STRADDLE NATURAL CENTERLINE.
- APPROX. WEIGHT (DRY): 485 lbs. (219 kgs.)
- APPROX. SHIPPING WEIGHT 605 lbs. (274 kgs.)



ELECTRONIC FILE NAME: SE0404TS.DWG
REF. ECR D649 DATE 01/04/06

UNAUTHORIZED USE, MANUFACTURE OR REPRODUCTION IN WHOLE OR IN PART IS PROHIBITED. DRAWING, DESIGN AND OTHER DISCLOSURES PROPERTY OF EATON FILTRATION, LLC

	DATE	01/28/03	CERT.	LH	DATE	01/28/03
	REV	D				
EATON FILTRATION, LLC 900 FAIRMOUNT AVENUE, ELIZABETH, NEW JERSEY 07207 MBF-0402 FILTER VESSEL 4"-150# INLET/ TANGENTIAL OUTLET SPINDLE TYPE-SE (SSTL)	DRAWN FJM	DATE 01/28/03	SIZE A	DWG NO	REV D	

SE0404TS