



Sho-Rate™ 1350G & 1355G Series

**QuickShip**  
Ships in 5 days

## DATA SHEET

### Variable Area Flowmeters

# Sho-Rate Models 1350G & 1355G

## Low Flow Glass Tube Flowmeters

The Brooks® Sho-Rate™ Series glass tube variable area flow meter has been the industry standard glass tube variable area meter for decades. This glass tube meter is ideal for a variety of gas and liquid applications. These meters are particularly suited for purge applications. The base configuration uses a borosilicate glass tube installed in an aluminum frame with 316SS end blocks, adaptors, and valve. Additional material options, valve options, and flow controllers are available to provide the appropriate configuration for a wide variety of applications.

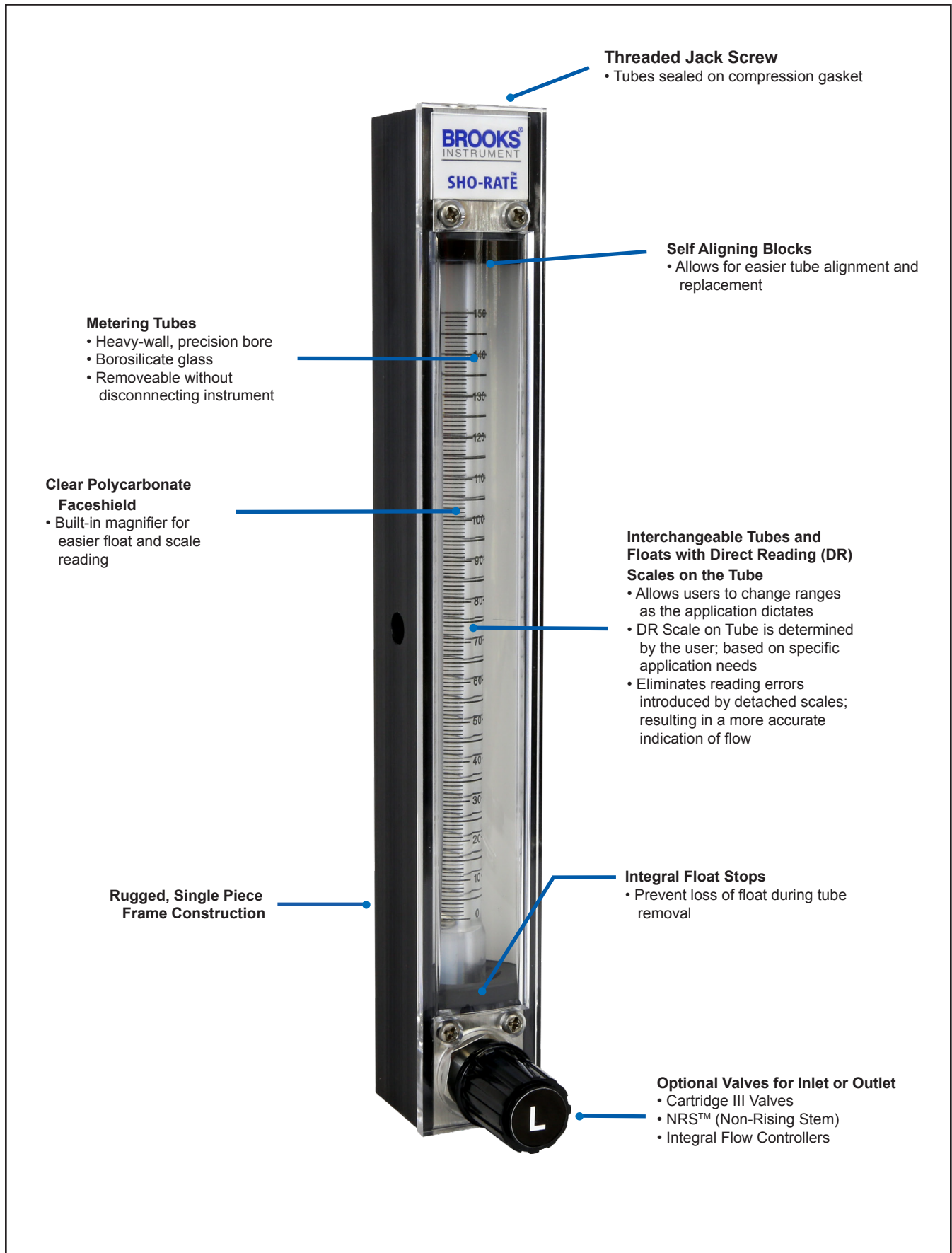
### Features



- Standard direct read scales on tube for all fluids and fluid conditions (user selected)
- Standard millimeter scales with flow curves for all fluids and fluid conditions (user selected)
- Scale length (approximate) 65mm, 150mm
- Magnifier built into front shield
- Flowmeter options:
  - Multiple fitting adapters for all world areas
  - No valve, cartridge valve and precision control valve
  - Inlet & outlet valves
  - Integral flow controller, upstream & downstream
  - Multiple connection fittings to fit all applications
  - Multiple approval certifications for world wide usage

[View Models 1350G & 1355G  
Product Page](#)

**BROOKS®**  
INSTRUMENT

*Beyond Measure*



Declaration	Mark	Meter Options	Standards/Directives/Marking	Status/Certificate
		Inductive Alarm		
EU Declaration of Conformity		✓	EMC Directive (2014/30/EU)	Declaration
		✓	RoHS Directive (2011/65/EU)	Declaration
		✓	Pressure Equipment Directive (2014/68/EU)	Declaration
		✓	EMC Directive (2014/30/EU)	Declaration
Explosion safety "Intrinsic Safety (ia)"		✓	Inductive Ring Sensor      Pepperl + Fuchs Model: RC10-14-N3-Y53478 Pepperl + Fuchs Model: RC15-14-N3-Y53479  <u>Non-Hazardous Locations</u> Power Supply                      Nominal Voltage 8V    Operating Voltage 5...25V Current consumption              Active area clear : 3mA (at 8V) Active area obscured: 0.5...0.95mA (at 8V)  Ambient Temperature              0°C to 40°C	Pepperl + Fuchs PTB 99 ATEX 2128 X
		✓	<u>Hazardous Location</u> ATEX                                      II 2 G Ex ia IIC T6...T1 Gb    IP67 Refer to ATEX Certificate for: Input parameters, Max Ambient Temperature, Special conditions for use	
		✓	FM Approvals                      Class I, Division 1, Group A, B, C, Class II, Division Group E, F, G, Class III, Division 1 Class I, Zone 0, Group IIC T6	
		✓	Canadian Registration Number (CRN)	CRN

# Product Specifications

	1350G	1355G
<b>Performance</b>		
<b>Accuracy</b>	±5% at reference conditions*	± 3% at reference conditions*
<b>Repeatability</b>	0.25% F.S.	
<b>Pressure/Temperature</b>	200 psig (33°F - 250°F) / 13.8 bar (1°C-121°C)	
<b>Materials of Construction</b>	Borosilicate glass, Brass, Aluminum, 316 Stainless Steel, Clear Polycarbonate, Milk White Polycarbonate, Teflon®	
<b>End Block Options</b>	Stainless Steel and Brass	
<b>Elastomer Seals</b>	Viton® fluoroelastomers, Teflon®, Buna, Kalrez® perfluoroelastomers	
<b>Float Materials</b>	Glass, Sapphire, Stainless Steel, Carboly® <sup>®</sup> , Tantalum	
<b>Connection Materials</b>	Stainless Steel	
<b>Connection Options</b>	1/8" NPT (w/wo locknuts)	
	1/4" NPT (w/wo locknuts)	
	1/8" Compression (w/wo locknuts)	
	1/4" Compression (w/wo locknuts)	
	6 mm Compression (w/wo locknuts)	
	1/4" RC (w/wo locknuts)	
	3/8" RC (w/wo locknuts)	
	1/4" VCR®	
	1/4" ID Hose	
	Swagelok® Converters	
<b>Dimensions</b>	See Dimension Drawings	
<b>Alarm Availability</b>	1 Inductive Ring Sensor/Switch	
	2 Inductive Ring Sensor(s)/Switch(es)	
	Inductive Ring Sensor(s)/Switch(es) with Relay Options	
<b>Valve Options</b>	Cartridge III Valve and NRS™	
<b>Valve Materials</b>	Stainless Steel	
<b>Flow Controller</b>	Yes	
<b>Certifications</b>	International Calibration Certificate (ICC)	
	CRN	
	Pressure Equipment Directive (97/23/EC)	
	RoHS (II)	
	REACH	
	Materials (2.1)	

\* Reference conditions apply to air or water at 14.7 psia and 70 Degrees F/1.01 Bar and 21.1 Degrees C.

# Product Specifications

## Capacities - Rib Guide Tubes, Spherical Floats for use with 1350G Series Only

Meter Size	Tube No.	Float Material	Water		Air	
			GPH	LPH	SCFH	NLPH
2	R-2-65-A G	Glass	0.010	0.041	0.12	3.2
		Sapphire	0.021	0.079	0.19	5.0
		Stainless Steel	0.049	0.18	0.37	9.8
		Carboloy	0.10	0.36	0.65	17
		Tantalum	0.10	0.40	0.71	18
	R-2-65-B G	Glass	0.014	0.06	0.16	4.4
		Sapphire	0.028	0.10	0.25	6.7
		Stainless Steel	0.07	0.25	0.48	12
		Carboloy	0.12	0.48	0.80	21
		Tantalum	0.14	0.53	0.87	22
	R-2-65-C G	Glass	0.12	0.47	0.99	26
		Sapphire	0.22	0.83	1.3	35
		Stainless Steel	0.41	1.5	2.1	55
		Carboloy	0.65	2.4	3.1	81
		Tantalum	0.70	2.6	3.3	87
	R-2-65-D G	Glass	0.68	2.5	3.9	100
		Sapphire	0.99	3.7	5.1	130
		Stainless Steel	1.6	6.3	7.9	200
		Carboloy	2.5	9.5	11	290
		Tantalum	2.7	10.0	12	310
6	R-6-65-A G	Glass	2.2	8.5	13	340
		Sapphire	3.3	12	17	440
		Stainless Steel	5.6	21	25	660
		Carboloy	8.3	31	36	940
		Tantalum	8.8	33	38	1000
	R-6-65-B G	Glass	8.7	33	46	1200
		Sapphire	12	47	59	1500
		Stainless Steel	20	76	86	2200
		Carboloy	29	100	110	3100
		Tantalum	30	110	120	3300

Air flows are at 14.7 psia and 70 Degrees F/1.01 Bar and 21.1 Degrees C

## Models 1350G/1355G Tube and Float Code; Decaled Scale Option, 7th, 8th & 9th Digits

Seventh Digit in Model Code, for Scale Configuration		
Code	Model 1350 Tube	Model 1355 Tube
A	---	R-2-15-A G
B	---	R-2-15-B G
C	---	R-2-15-C G
D	---	R-2-15-D G
F	---	R-6-15-B G
G	R-2-65-A G	R-2-15-AAAA G
H	R-2-65-B G	---
J	R-2-65-C G	---
K	R-2-65-D G	---
L	R-6-65-A G	---
M	R-6-65-B G	---
N	No Tube	No Tube

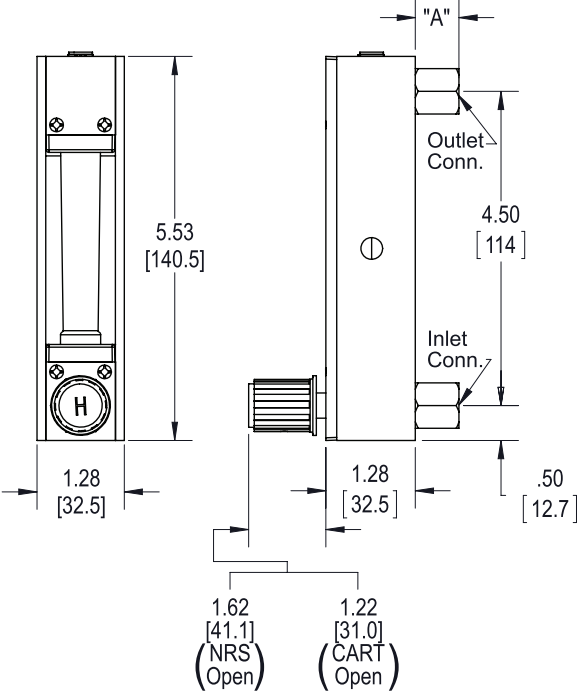
Eighth and Ninth Digit in Model Code, for Scale Configuration					
Meter Accuracy	Float Material	Decal Scale Inscription			
		MM Scale	Linear Scale	Custom Decal	Percent Scale
Standard (1350-10%) (1355-5%)	Glass	1A	2A	3A	4A
	Stainless Steel	1B	2B	3B	4B
	Sapphire	1C	2C	3C	4C
	Carboloy	1D	2D	3D	4D
	Tantalum	1E	2E	3E	4E
Calibrated (1350-5%) (1355-3%)	Glass	1G	2G	3G	4G
	Stainless Steel	1H	2H	3H	4H
	Sapphire	1J	2J	3J	4J
	Carboloy	1K	2K	3K	4K
	Tantalum	1L	2L	3L	4L

\*Note: Code for No Float/No Scale = "ZZ"

Capacities - Rib Guide Tubes, Spherical Floats for use with 1355G Series Only				
Meter Size	Tube No.	Float Material	Maximum Flow Rate*	
			Water (CC/Min)	Air
2	R-2-15-AAAA G	Glass	0.59	50 SCC/M
		Sapphire	1.1	79 SCC/M
		Stainless Steel	2.6	150 SCC/M
		Carboly	5.2	280 SCC/M
		Tantalum	5.8	310 SCC/M
	R-2-15-D G	Glass	5.5	370 SCC/M
		Sapphire	10	520 SCC/M
		Stainless Steel	20	830 SCC/M
		Carboly	34	1200 SCC/M
		Tantalum	36	1300 SCC/M
	R-2-15-A G	Glass	17	0.82 SLPM
		Sapphire	26	1.0 SLPM
		Stainless Steel	46	1.6 SLPM
		Carboly	70	2.4 SLPM
		Tantalum	75	2.5 SLPM
	R-2-15-B G	Glass	53	2.3 SLPM
		Sapphire	80	3.0 SLPM
		Stainless Steel	130	4.6 SLPM
		Carboly	200	6.7 SLPM
		Tantalum	210	7.1 SLPM
R-2-15-C G	Glass	90	4.0 SLPM	
	Sapphire	130	5.2 SLPM	
	Stainless Steel	220	7.9 SLPM	
	Carboly	340	11 SLPM	
	Tantalum	360	11 SLPM	
6	R-6-15-A G	Glass	210	9.5 SLPM
		Sapphire	320	12 SLPM
		Stainless Steel	540	18 SLPM
		Carboly	790	25 SLPM
		Tantalum	840	26 SLPM
	R-6-15-B G	Glass	560	23 SLPM
		Sapphire	820	29 SLPM
		Stainless Steel	1300	43 SLPM
		Carboly	1900	60 SLPM
		Tantalum	2000	63 SLPM

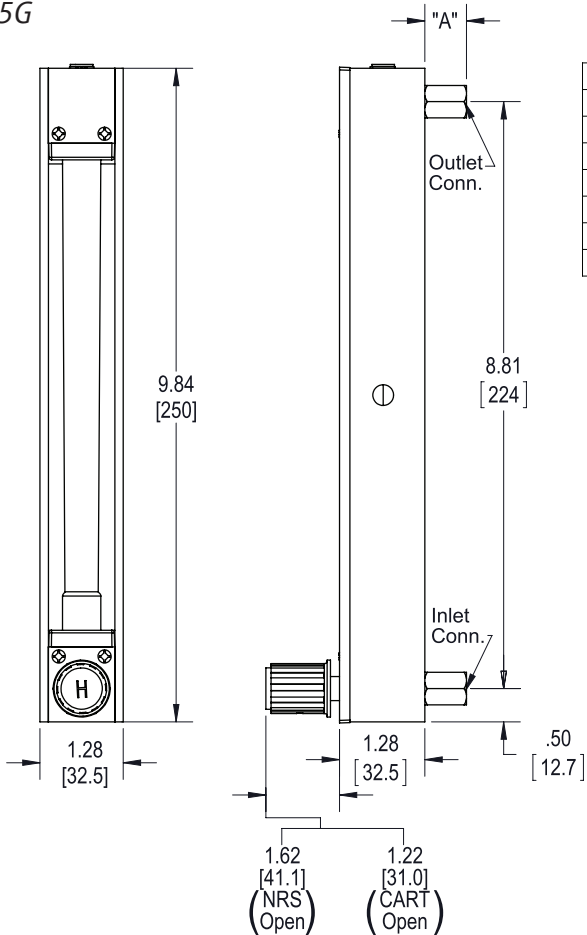
\*Air flows are at 14.7 psia and 70 Degrees F/1.01 Bar and 21.1 Degrees C

**Model 1350G**



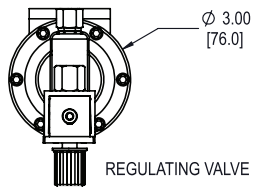
Dimension "A" Connection Adapter	
1/8" NPT	.625 [15.9]
1/4" NPT	.625 [15.9]
1/8" Compression	1.59 [40.3]
1/4" Compression	1.78 [45.1]
1/4" ID Hose	.72 [18.3]
1/4" Rc	.895 [22.7]
3/8" Rc	.895 [22.7]

**Model 1355G**



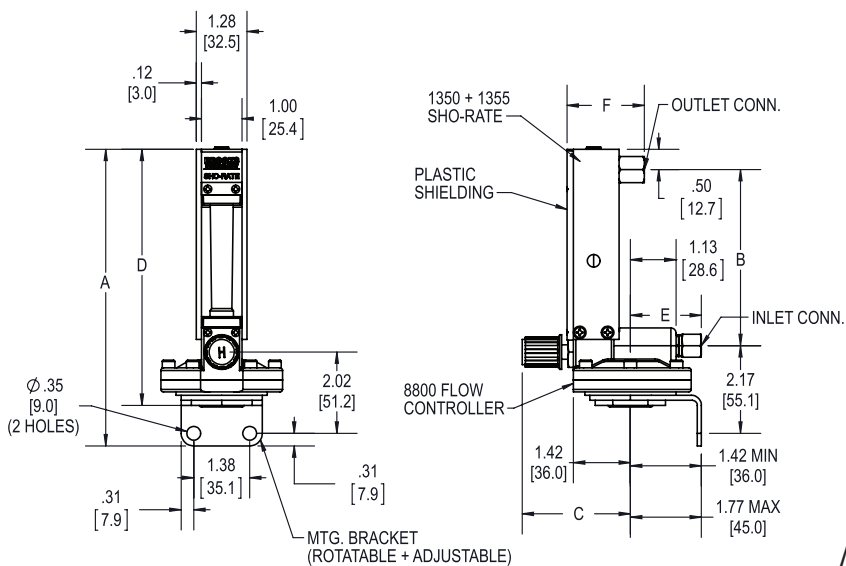
Dimension "A" Connection Adapter	
1/8" NPT	.625 [15.9]
1/4" NPT	.625 [15.9]
1/8" Compression	1.59 [40.3]
1/4" Compression	1.78 [45.1]
1/4" ID Hose	.72 [18.3]
1/4" Rc	.895 [22.7]
3/8" Rc	.895 [22.7]

# Product Dimensions



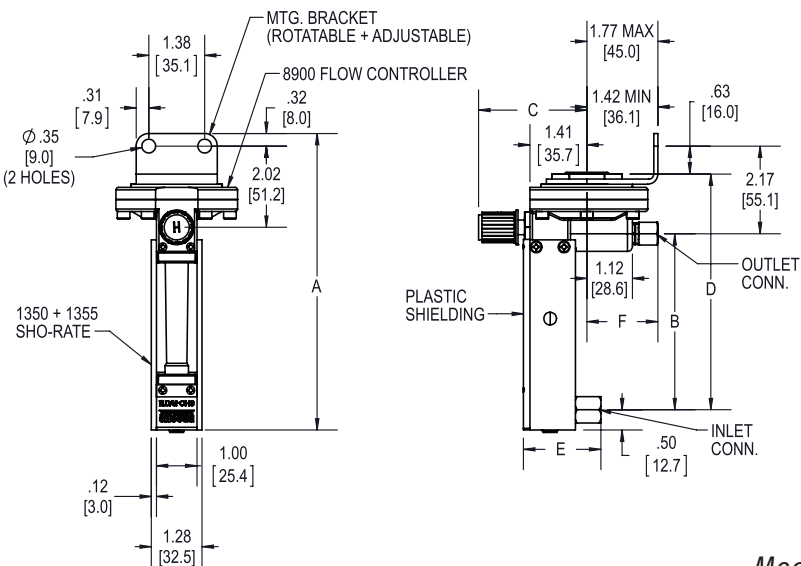
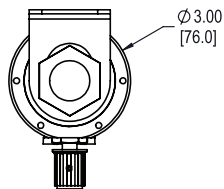
REGULATING VALVE

MODEL NO	SCALE LENGTH	A		B		C		C		D	
		INCH	MM	INCH	MM	INCH	MM	INCH	MM	INCH	MM
1350	65	7.31	185.7	4.34	110.3	2.79	70.8	2.65	67.2	6.38	162.0
1355	150	11.72	297.7	8.75	222.2	2.79	70.8	2.65	67.2	10.78	273.8



CONN. SIZE	INLET	INLET	OUTLET	OUTLET
	CONN.	CONN.	CONN.	CONN.
	E	E	F	F
	INCH	MM	INCH	MM
1/8 NPT	1.85	46.9	1.91	48.4
1/4 NPT	1.13	28.6	1.91	48.4
1/8 COMP.	2.19	55.6	2.87	72.8
1/4 COMP.	2.28	57.8	3.06	77.6
1/4 I.D. HOSE	2.44	61.9	2.00	50.8
1/4 VCR (M)	N/A	N/A	2.19	55.6
1/4 Rc	2.10	53.3	2.18	55.3
3/8 Rc	2.60	66.1	2.18	55.3

Model 1350G/1355G with Model 8800 Flow Controller on Inlet



MODEL NO	SCALE LENGTH	A		B		C		C		D	
		INCH	MM	INCH	MM	INCH	MM	INCH	MM	INCH	MM
1350	65	7.31	185.7	4.34	110.3	2.79	70.8	2.65	67.2	6.38	162.0
1355	150	11.72	297.7	8.75	222.2	2.79	70.8	2.65	67.2	10.78	273.8

CONN. SIZE	INLET	INLET	OUTLET	OUTLET
	CONN.	CONN.	CONN.	CONN.
	E	E	F	F
	INCH	MM	INCH	MM
1/8 NPT	1.91	48.4	1.85	46.9
1/4 NPT	1.91	48.4	1.13	28.6
1/8 COMP.	2.87	72.8	2.19	55.6
1/4 COMP.	3.06	77.6	2.28	57.8
1/4 I.D. HOSE	2.00	50.8	2.44	61.9
1/4 VCR (M)	2.19	55.6	N/A	N/A
1/4 Rc	2.18	55.3	2.10	53.3
3/8 Rc	2.18	55.3	2.60	66.1

Model 1350G/1355G with Model 8900 Flow Controller on Outlet



## Reference Model Code Tables

1. Model
2. Size, connections, type
3. Quantity required
4. Minimum, normal and maximum operating temperature
5. Minimum, normal and maximum operating pressure (inlet and outlet)
6. Minimum, normal and maximum flow rate
7. Materials of construction
  - a. End fittings
  - b. Side plates
  - c. Bezel
  - d. Elastomers
8. Fluid
9. Fluid specific gravity
10. Fluid viscosity
11. Unusual system conditions (For ranges and pressure drops other than those listed, consult factory).
12. Optional equipment
  - a. Valve type and location
  - b. Flow controller and type

Code Description	Code Option	Option Description			
I. Basic Model Number	1350	65mm Sho-Rate Size 1-6 Flow Indicator			
	1355	150mm Sho-Rate Size 1-6 Flow Indicator			
II. Model Revision Level	G	Revision G			
III. End Block Material	A <sup>1</sup>	316 stainless steel			
	B <sup>1</sup>	Brass			
IV. Tube		1350		1355	
	A <sup>1</sup>	---	R-2-15-A G		
	B <sup>1</sup>	---	R-2-15-B G		
	C <sup>1</sup>	---	R-2-15-C G		
	D <sup>1</sup>	---	R-2-15-D G		
	E <sup>1</sup>	---	R-6-15-A G		
	F <sup>1</sup>	---	R-6-15-B G		
	G <sup>1</sup>	R-2-65-A G	R-2-15-AAAA G		
	H <sup>1</sup>	R-2-65-B G	---		
	J <sup>1</sup>	R-2-65-C G	---		
	K <sup>1</sup>	R-2-65-D G	---		
	L <sup>1</sup>	R-6-65-A G	---		
	M <sup>1</sup>	R-6-65-B G	---		
	N <sup>2</sup>	No Tube	No Tube		
	V. Float & Direct Read Scale Selection		Float	Accuracy	Scale Inscription
		ZZ <sup>4</sup>	None	N/A	N/A
1A <sup>1</sup>		<sup>3</sup> GLASS	STD-50(10%), 55(5%)	MM	
1B <sup>1</sup>		<sup>3</sup> ST.STL	STD-50(10%), 55(5%)	MM	
1C <sup>1</sup>		<sup>3</sup> SAPPHIRE	STD-50(10%), 55(5%)	MM	
1D <sup>1</sup>		<sup>3</sup> CARBOLOY	STD-50(10%), 55(5%)	MM	
1E <sup>1</sup>		<sup>3</sup> TANTALUM	STD-50(10%), 55(5%)	MM	
1G		GLASS	CALIB-50(5%), 55(3%)	MM	
1H		ST.STL	CALIB-50(5%), 55(3%)	MM	
1J		SAPPHIRE	CALIB-50(5%), 55(3%)	MM	
1K		CARBOLOY	CALIB-50(5%), 55(3%)	MM	
1L		TANTALUM	CALIB-50(5%), 55(3%)	MM	
2A <sup>1</sup>		<sup>3</sup> GLASS	STD-50(10%), 55(5%)	LINEAR	
2B <sup>1</sup>		<sup>3</sup> ST.STL	STD-50(10%), 55(5%)	LINEAR	
2C <sup>1</sup>		<sup>3</sup> SAPPHIRE	STD-50(10%), 55(5%)	LINEAR	
2D <sup>1</sup>		<sup>3</sup> CARBOLOY	STD-50(10%), 55(5%)	LINEAR	
2E <sup>1</sup>		<sup>3</sup> TANTALUM	STD-50(10%), 55(5%)	LINEAR	
2G		GLASS	CALIB-50(5%), 55(3%)	LINEAR	
2H		ST.STL	CALIB-50(5%), 55(3%)	LINEAR	
2J		SAPPHIRE	CALIB-50(5%), 55(3%)	LINEAR	
2K		CARBOLOY	CALIB-50(5%), 55(3%)	LINEAR	
2L		TANTALUM	CALIB-50(5%), 55(3%)	LINEAR	
3A <sup>1</sup>		<sup>3</sup> GLASS	STD-50(10%), 55(5%)	CUSTOM DECAL	
3B <sup>1</sup>		<sup>3</sup> ST.STL	STD-50(10%), 55(5%)	CUSTOM DECAL	
3C <sup>1</sup>		<sup>3</sup> SAPPHIRE	STD-50(10%), 55(5%)	CUSTOM DECAL	
3D <sup>1</sup>		<sup>3</sup> CARBOLOY	STD-50(10%), 55(5%)	CUSTOM DECAL	
3E <sup>1</sup>		<sup>3</sup> TANTALUM	STD-50(10%), 55(5%)	CUSTOM DECAL	
3G		GLASS	CALIB-50(5%), 55(3%)	CUSTOM DECAL	
3H		ST.STL	CALIB-50(5%), 55(3%)	CUSTOM DECAL	
3J		SAPPHIRE	CALIB-50(5%), 55(3%)	CUSTOM DECAL	
3K		CARBOLOY	CALIB-50(5%), 55(3%)	CUSTOM DECAL	
3L		TANTALUM	CALIB-50(5%), 55(3%)	CUSTOM DECAL	
4A <sup>1</sup>		<sup>3</sup> GLASS	STD-50(10%), 55(5%)	PERCENT SCALE	
4B <sup>1</sup>		<sup>3</sup> ST.STL	STD-50(10%), 55(5%)	PERCENT SCALE	
4C <sup>1</sup>		<sup>3</sup> SAPPHIRE	STD-50(10%), 55(5%)	PERCENT SCALE	
4D <sup>1</sup>		<sup>3</sup> CARBOLOY	STD-50(10%), 55(5%)	PERCENT SCALE	
4E <sup>1</sup>		<sup>3</sup> TANTALUM	STD-50(10%), 55(5%)	PERCENT SCALE	
4G		GLASS	CALIB-50(5%), 55(3%)	PERCENT SCALE	
4H		ST.STL	CALIB-50(5%), 55(3%)	PERCENT SCALE	
4J		SAPPHIRE	CALIB-50(5%), 55(3%)	PERCENT SCALE	
4K	CARBOLOY	CALIB-50(5%), 55(3%)	PERCENT SCALE		
4L	TANTALUM	CALIB-50(5%), 55(3%)	PERCENT SCALE		

Code Description	Code Option	Option Description	
VI. Tube Packing and O-ring Materials		Tube Packing	O-ring Meter/Valve
	A <sup>1</sup>	Buna	Buna
	B <sup>1</sup>	Viton	Viton
	D <sup>1</sup>	Viton	EPR
	E <sup>1</sup>	Viton	Kalrez
	F <sup>1</sup>	Teflon	Buna
	G <sup>1</sup>	Teflon	Viton
	J <sup>1</sup>	Teflon	EPR
	K <sup>1</sup>	Teflon	Kalrez
	L <sup>1</sup>	EPR	EPR
	M <sup>1</sup>	Butyl	Butyl
	N <sup>1</sup>	No Packing	Buna
	P <sup>1</sup>	No Packing	Viton
	R <sup>1</sup>	No Packing	EPR
S <sup>1</sup>	No Packing	Kalrez	
T <sup>1</sup>	No Packing	Butyl	

Note: If valve assy is not required for a specific model number, select the proper code for the O-ring material of the Sho-Rate.

Code Description	Code Option	Fitting Material	Connection Size and Type
VII. End Fitting Material, Connection Size & Type	C <sup>1</sup>	316SS	1/8" NPT
	<sup>5</sup> F <sup>1</sup>	316SS	1/8" NPT Thd.W/Locknut
	J <sup>1</sup>	316SS	1/4" NPT
	<sup>5/2</sup> K	KYNAR	1/4" NPT
	<sup>5</sup> N <sup>1</sup>	316SS	1/4" NPT Thd.W/Locknut
	R <sup>1</sup>	316SS	1/8" Compression
	<sup>5</sup> U <sup>1</sup>	316SS	1/8" Compression w/locknut (2 pc design)
	W <sup>1</sup>	316SS	1/4" F-Rc Thd w/Locknut
	X	316SS	1/4" Compression
	<sup>5</sup> 1	316SS	1/4" Compression w/locknut (2 pc design)
	3	316SS	3/8" F-Rc Thd w/Locknut
	<sup>2</sup> 4 <sup>1</sup>	316SS	1/4" I.D.Hose
	<sup>5</sup> 6 <sup>1</sup>	316SS	Integral 5/16-24 thd.
	<sup>5</sup> 7	316SS	1/4" VCR
	<sup>2</sup> 8 <sup>1</sup>	316SS	6mm thd
	VIII. Valve Type	A <sup>1</sup>	Valve Plug
B <sup>1</sup>		NRS-316SS #1	
C <sup>1</sup>		NRS-316SS #2	
D <sup>1</sup>		NRS-316SS #3	
E <sup>1</sup>		NRS-316SS #4	
F <sup>1</sup>		NRS-316SS #5	
G <sup>1</sup>		NRS-316SS #6	
J		To Integrally Mounted 88/8900 316SS Flow Controller - Cartridge II/III Valve - Viton Diaphragm	
K		To Integrally Mounted 88/8940 316SS Flow Controller - NRS Valve - Viton Diaphragm	
L		To Integrally Mounted 88/8900 Brass Flow Controller - Cartridge II/III Valve - Viton Diaphragm	
M		To Integrally Mounted 88/8940 Brass Flow Controller - NRS Valve - Viton Diaphragm	
N		To Integrally Mounted 88/8900 316SS Flow Controller - Cartridge II/III Valve - Teflon Diaphragm	
P		To Integrally Mounted 88/8940 316SS Flow Controller - NRS Valve - Teflon Diaphragm	
Q		To Integrally Mounted 88/8900 Brass Flow Controller - Cartridge II/III Valve - Buna Diaphragm	
R		To Integrally Mounted 88/8940 Brass Flow Controller - NRS Valve - Buna Diaphragm	
S <sup>1</sup>		Std. Valve Cavity - no valve assy or plug	
T <sup>1</sup>	Cartridge III Valve - Low Flow - 316SS		
U <sup>1</sup>	Cartridge III Valve - Med Flow - 316SS		
V <sup>1</sup>	Cartridge III Valve - HighFlow - 316SS		

Code Description	Code Option	Option Description
IX. Valve Cavity/Controller Location & Connection Orientation		Valve/Controller Location Connection Orientation
		Inlet Inlet Outlet
	1 <sup>1</sup>	Inlet Back Back
	5 <sup>1</sup>	Outlet Back Back
	9	N/A Back Back
X. Alarms*	A <sup>1</sup>	None
	B <sup>6</sup>	1 Inductive Ring Sensor/Switch
	C <sup>6</sup>	2 Inductive Ring Sensors/Switches
	D <sup>6</sup>	1 Inductive Ring Sensor/Switch w/I.S. Relay 120V (bistable)
	E	1 Inductive Ring Sensor/Switch w/I.S. Relay 240V (bistable)
	F	2 Inductive Ring Sensors/Switches with I.S. Double Relays 120V (bistable)
	G	2 Inductive Ring Sensors/Switches with I.S. Double Relays 240V (bistable)
		*Alarm options not available with Glass, Sapphire, or Tantalum Floats *Alarm options not available with the Stainless Steel Frame Option *Alarm options not available with Valve Type Option: Flow Controllers
XI. Options	A <sup>1</sup>	None
	B	316 Stainless Steel Frame
	C	Baseplate (Plastic Triangle Base with Aluminum Bracket)
	D <sup>1</sup>	No Brooks Identification
	E	316SS Frame & No Brooks ID
	F	Baseplate & No Brooks ID
	G	316SS Frame & Baseplate
	H	316SS Frame & Baseplate & No Brooks ID
	J	Stainless Steel Tag & 316SS Frame
	K	Stainless Steel Tag & Baseplate (Aluminum)
	L <sup>1</sup>	Stainless Steel Tag & no Brooks ID
	M	Stainless Steel Tag & 316SS Frame & No Brooks ID
	N	Stainless Steel Tag & Baseplate & No Brooks ID
	P	Stainless Steel Tag & 316SS Frame & Baseplate
	Q	Stainless Steel Tag & 316SS Frame & Baseplate & No Brooks ID
	R <sup>1</sup>	Stainless Steel Tag
S <sup>6</sup>	Stainless Steel Float Stops	
T <sup>6</sup>	Open Alarm Frame	
U <sup>6</sup>	316 SS Frame & Stainless Steel Float Stops	
XI. Certifications	A <sup>1</sup>	None
	B	CRN Certification
	C	International Calibration Certification (5%-1350, 3%-1355)
	D	Degrease for Oxygen Service (not MIL Spec)
	E	CRN Cert & ICC
	F	CRN Cert & Degrease for O2
	G	Degrease for O2 & ICC
	H	UL / FM - Hazardous location

<sup>1</sup> **QuickShip** → Select meters ship in 5 days.  
Max order quantity = 15 meters.  
Consult factory on orders of more than 15 meters.

<sup>2</sup> The options indicated are not available with a CRN certification. Not valid for controllers.

<sup>3</sup> Accuracy for air and water in the preceding capacity tables will be STD-50(5%), 55(3%).

<sup>4</sup> Use this code (ZZ) only when Tube Code above is "N"

#### Sample Standard Model Code

I	II	III	IV	V	VI	VII	VIII	IX	X	XI	XII
1350	G	A	G	1B	E	C	A	1	A	A	A

# Service and Support

Brooks is committed to assuring all of our customers receive the ideal flow solution for their application, along with outstanding service and support to back it up. We operate first class repair facilities located around the world to provide rapid response and support. Each location utilizes primary standard calibration equipment to ensure accuracy and reliability for repairs and recalibration and is certified by our local Weights and Measures Authorities and traceable to the relevant International Standards.

Visit [www.BrooksInstrument.com](http://www.BrooksInstrument.com) to locate the service location nearest to you.

## START-UP SERVICE AND IN-SITU CALIBRATION

Brooks Instrument can provide start-up service prior to operation when required. For some process applications, where ISO-9001 Quality Certification is important, it is mandatory to verify and/or (re)calibrate the products periodically. In many cases this service can be provided under in-situ conditions, and the results will be traceable to the relevant international quality standards.

## SEMINARS AND TRAINING

Brooks Instrument can provide seminars and dedicated training to engineers, end users, and maintenance persons. Please contact your nearest sales representative for more details.

Due to Brooks Instrument's commitment to continuous improvement to four products, all specifications are subject to change without notice.

## TRADEMARKS

Brooks, NRS, Sho-Rate.....Brooks Instrument, LLC  
All other trademarks are the property of their respective owners.



DS-1350G-EN/2023-07

## Global Headquarters

**Brooks Instrument**  
407 West Vine Street  
Hatfield, PA  
19440-0903 USA

Toll-Free (USA): 888-554-FLOW  
T: 215-362-3500

[BrooksAM@BrooksInstrument.com](mailto:BrooksAM@BrooksInstrument.com)

A list of all Brooks Instrument locations and contact details can be found at [www.BrooksInstrument.com](http://www.BrooksInstrument.com)

© Copyright 2023 Brooks Instrument, LLC All rights reserved. Printed in U.S.A.

**BROOKS**<sup>®</sup>  
INSTRUMENT  
*Beyond Measure*