



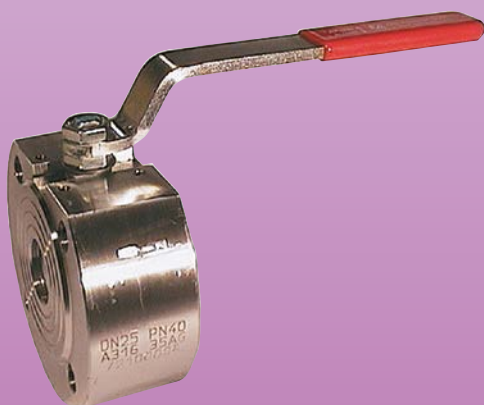
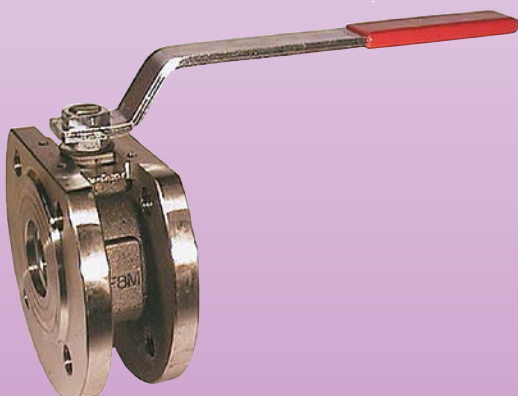
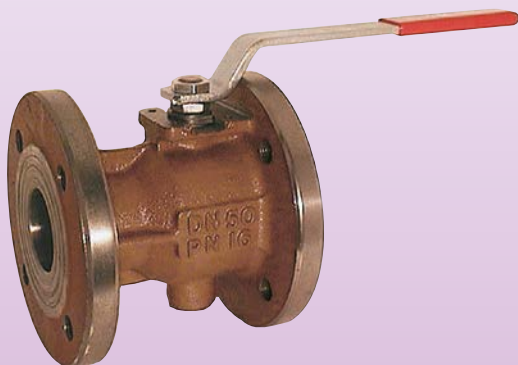
Flanged Ball Valves

2-way ball valves
made of various materials



measuring
•
monitoring
•
analysing

KUG-VK, VO



- p_{\max} : PN 40; t_{\max} : +180 °C
- Connections:
flanges DN 15 ... DN 200
- For steam, gaseous,
liquid and viscous media
- Overall length DIN 3202 F4/5
- Stainless steel, GG-25



Z1

KOBOLD companies worldwide:

ARGENTINA, AUSTRIA, BELGIUM, BULGARIA, CANADA, CHILE, CHINA, COLOMBIA, CZECHIA, EGYPT, FRANCE, GERMANY, GREAT BRITAIN, HUNGARY, INDIA, INDONESIA, ITALY, MALAYSIA, MEXICO, NETHERLANDS, PERU, POLAND, REPUBLIC OF KOREA, ROMANIA, SINGAPORE, SPAIN, SWITZERLAND, TAIWAN, THAILAND, TUNISIA, TURKEY, USA, VIETNAM

KOBOLD Messring GmbH
Nordring 22-24
D-65719 Hofheim/Ts.
Head Office:
+49(0)6192 299-0
+49(0)6192 23398
info.de@kobold.com
www.kobold.com



2-way Grey Cast-iron Flange Ball Valve, Manually Operated, Full-bore Model KUG-VO

Design

Multiple-piece construction with full-bore (DN25...DN125 = one-piece version; DN150...DN200 = two-piece version), with mounting pad for actuator as per ISO 5211.

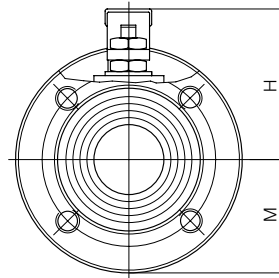
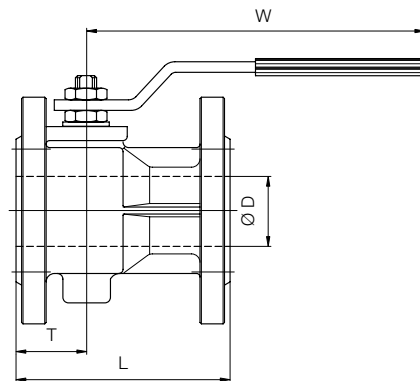
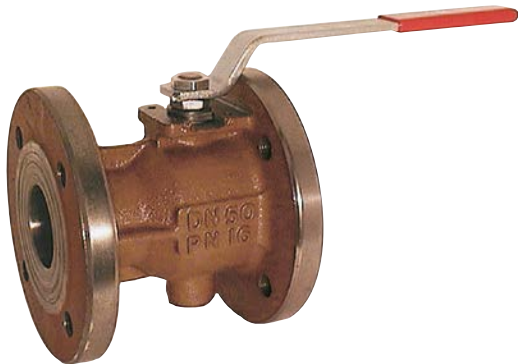
Materials

Body: cast iron GG-25
 Ball: brass, hard-chrome plated
 Ball gasket: PTFE
 Spindle gasket: PTFE/NBR
 Handle: steel, zinc coated, plastic sheathed, red

Technical Details

Connections: Flansche nach DIN 2533
 DN 25 ... DN 200
 Overall length: nach DIN 3202-F4/5
 Temperature range: -20°C ... +120°C
 Nominal pressure: PN 16 dimensioned, with threaded holes, to 80°C
 Operation: 90° rotation of the handle (Handle is reversible through 180°)

KUG-VO



Dimensions and Order Details (example: KUG-VOF 25)

Flange [DN]	Order no.	D [mm]	L [mm]	H [mm]	M [mm]	W [mm]	T [mm]	k_v value [m³/h]
25	KUG-VOF 25	25	125	78.0	57.5	174.5	42	43
32	KUG-VOF 32	32	130	85.0	70.0	174.5	47	89
40	KUG-VOF 40	40	140	101.5	75.0	250.5	49	230
50	KUG-VOF 50	50	150	107.5	82.5	250.5	52	265
65	KUG-VOF 65	65	170	125.5	92.5	321.5	65	540
80	KUG-VOF 80	80	180	137.0	100.0	321.5	66	873
100	KUG-VOF 1H	100	190	157.0	110.0	381.5	89	1390
125	KUG-VOF 1Z	125	200	179.5	125.0	381.5	100	1707
150	KUG-VOF 1F	150	210	237.0	142.5	700.0	105	2024
200	KUG-VOF 2H	200	400	279.0	170.0	700.0	200	2720

Design

One-piece compact construction with full-bore, mounting pad for actuator as per ISO 5211.

Please note:

From nominal size DN40, valves are supplied with double-flange connections.

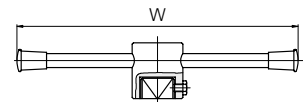
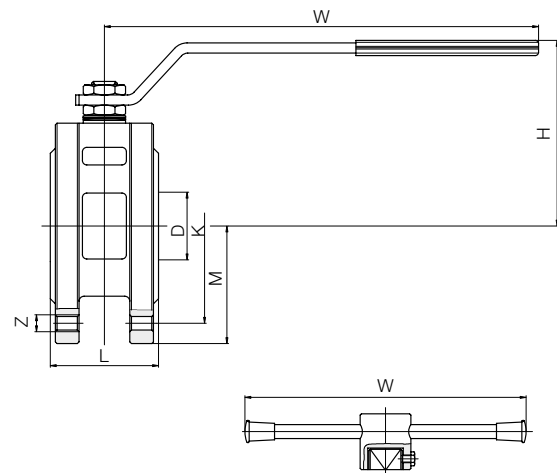
Materials

- Body: stainless steel 1.4401 (from DN40: 1.4408)
- Ball: stainless steel 1.4401
- Ball gasket: PTFE glass-fiber reinforced
- Spindle gasket: PTFE/FKM
- Handle: steel, zinc coated, plastic sheathed (DN 150... DN200: steel, coated)

Technical Details

- Connections: flanges as per DIN 2533 DN15... DN200
- Temperature range: -30 °C... +160 °C
- Nominal pressure: PN 16 dimensioned and with threaded holes, to 80 °C
- Operation: 90° rotation of the handle (Handle is reversible through 180°)

KUG-VK



Handle DN 150... DN200

Dimensions and Order Details (example: KUG-VKF 15)

Flange [DN]	Order no.	Ø D [mm]	L [mm]	H [mm]	M [mm]	Z [mm]	K [mm]	W [mm]	k _v value [m³/h]	Weight [kg]
15	KUG-VKF 15	15	35.0	64.5	45	4xM12	65	131.5	16.3	1.3
20	KUG-VKF 20	20	40.0	69.0	50	4xM12	75	131.5	29.5	1.9
25	KUG-VKF 25	25	46.0	80.5	55	4xM12	85	174.5	43.0	2.7
32	KUG-VKF 32	32	54.0	84.5	65	4xM16	100	174.5	89.0	4.2
40	KUG-VKF 40	38	63.5	102.5	75.0	4xM16	110	250.5	230.0	4.2
50	KUG-VKF 50	50	82.0	111	82.5	4xM16	125	250.5	265.0	6.1
65	KUG-VKF 65	64	103.0	128.0	92.5	4xM16	145	321.5	540.0	10.0
80	KUG-VKF 80	76	122.0	138.5	100.0	8xM16	160	321.5	873.0	13.5
100	KUG-VKF 1H	100	152.0	156.5	110	8xM16	190	381.5	1390.0	20.9
150	KUG-VKF 1F	150	232.0	237.0	142.5	8xM20	250	700.0	2024.0	61.5
200	KUG-VKF 2H	200	317.0	280.0	170	12xM20	320	700.0	2720.0	102