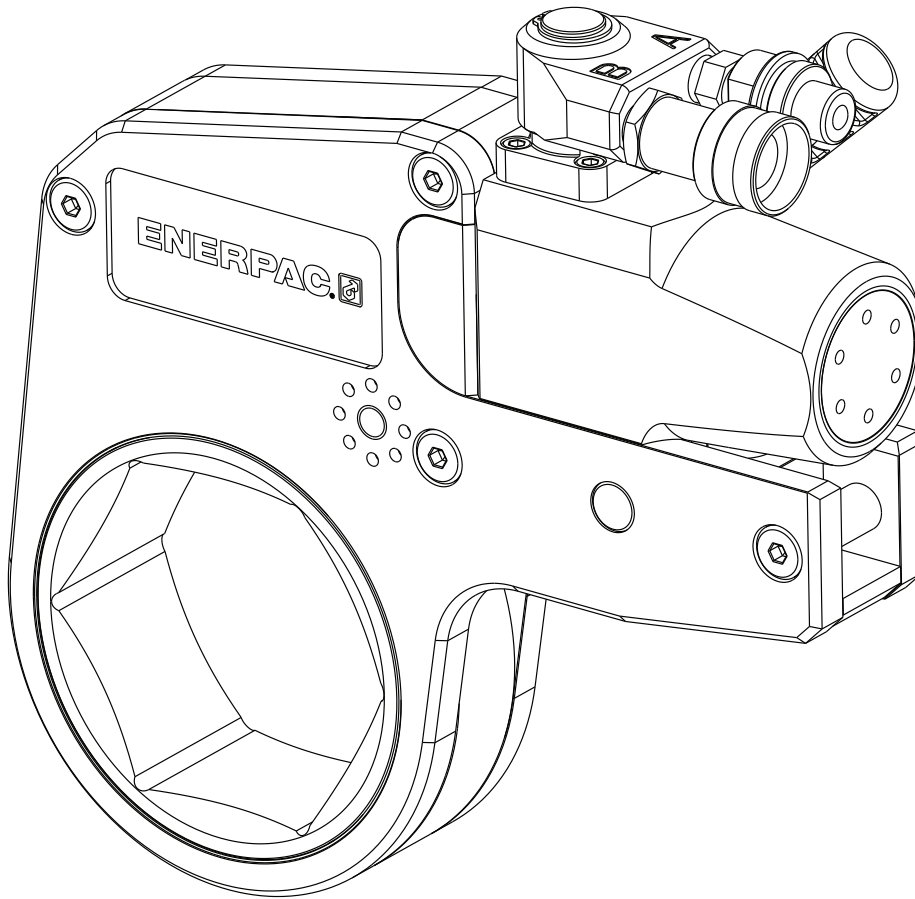


L4114 Rev. D 03/20

- For drive unit model numbers ending in "X" or "PX".
- For cassette model numbers ending in "X".

**To Protect Your Warranty, Use Only ENERPAC Hydraulic Oil.**

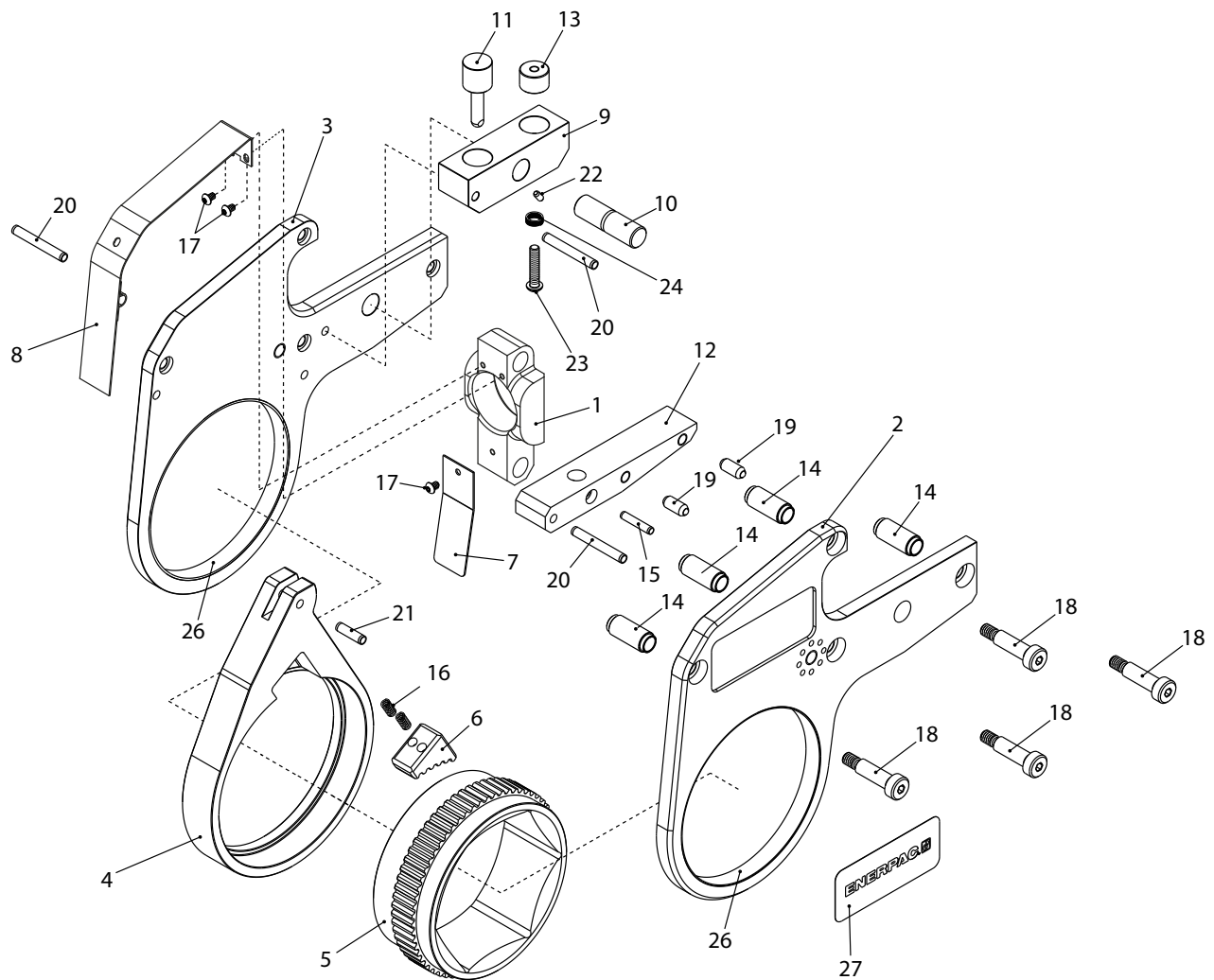
Enerpac recommends that all kit components be installed to insure optimum performance of the repaired product.



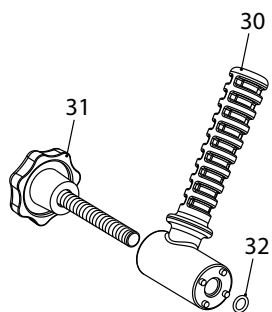
Contents:	Pages
Figure 1, Cassette Assembly . . . . .	2-3
Figure 2, Ratchet Assembly, Sideplates and Guards . . . . .	4-5
Figure 3, Drive Unit and Swivel Assemblies . . . . .	6-7
Table 4, Carrying Cases . . . . .	8

**Note:** Refer to the wrench instruction sheet for:

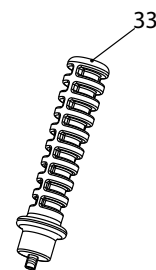
- Inspection, lubrication and maintenance instructions.
- Torque specifications for selected fasteners.



**SWH10A Angled Positioning Handle Kit**  
(optional accessory, order separately)



**SWH10S Straight Positioning Handle**  
(optional accessory, order separately)



**Figure 1, Cassette Assembly, W8000X Series**

### Repair Parts List for Figure 1

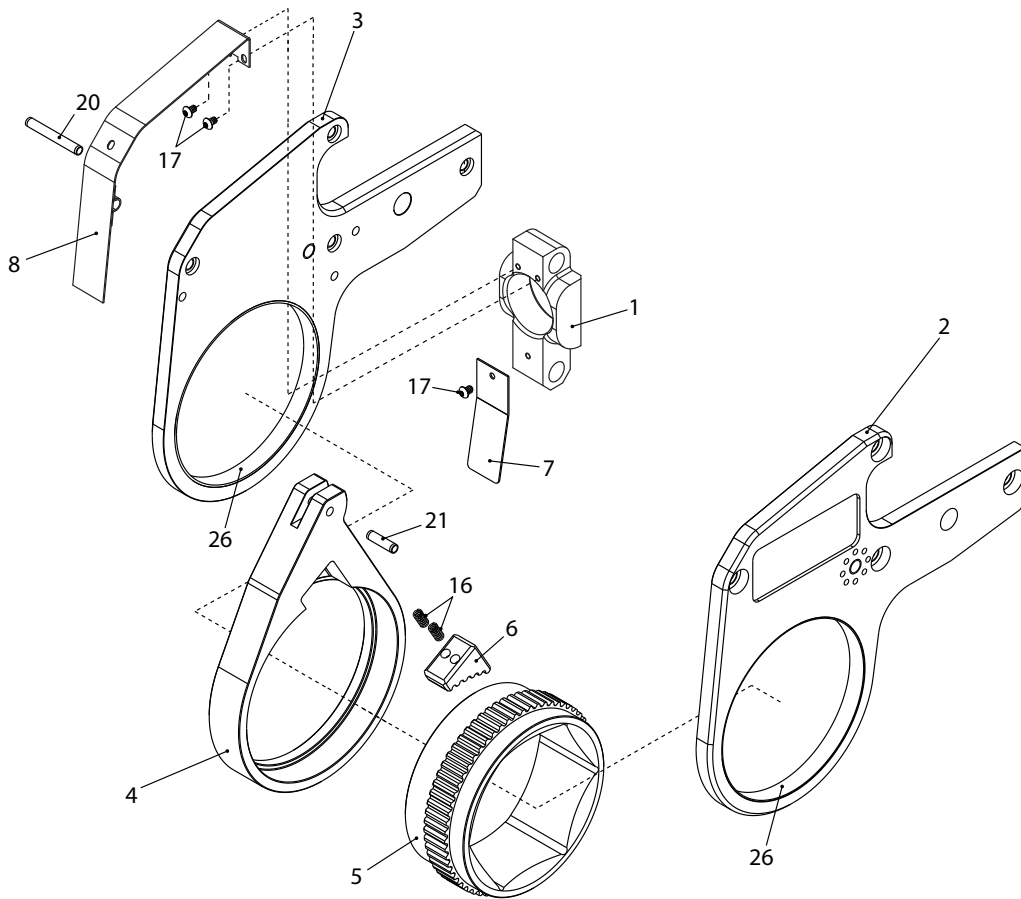
Item	Part Number	Quantity (used on wrench)	Quantity (included in each kit)										(*) Item available separately OR in kit.	Description	
			Sideplate and Bushing Kit (see Figure 2 for kit details)	Ratchet Lever and Pin Kit (see Figure 2 for kit details)	Ratchet Kit (see Figure 2 for kit details)	Drive Shoe Kit (see Figure 2 for kit details)	Head Guard Kit (see Figure 2 for kit details)	Safe Link Kit W8000SLKB	Cassette Hardware Kit W8000CHKB	Head Spacer Kit W8000HSK	Angled Positioning Handle Kit SWH10A				
1	(Not Available)	1													Cylinder Locating Plate
2	(See Figure 2)	1	1												Sideplate, Right-Hand
3	(See Figure 2)	1	1												Sideplate, Left-Hand
4	(See Figure 2)	1		1											Ratchet Lever
5	(See Figure 2)	1			1									*	Ratchet
6	(See Figure 2)	1			1	1									Drive Shoe
7	8000117	1					1								Guard, Rear
8	(See Figure 2)	1					1								Guard, Front
9	(Not Available)	1													Pin Retainer
10	8000110A	1						1						*	Spacer Retaining Pin
11	8000109	1						1							Cylinder Retaining Pin
12	8000114A	1													Reaction Foot
13	8000115	1						1							Fail Safe Pin
14	8000113A	4								4					Sideplate Spacer
15	CCA525057-2A	1						1							Pin, Spirol Spring
16	E3016K	2			2	2		2	2					*	Spring, Compression (packet of 10)
17	CBA411028-1E	3					3		3						Screw, Button Head
18	E4607	4							4	4					Screw, Shoulder, Modified
19	E4584	2						2	2						Spring, Plunger
20	CCA635057-2A	3							3					*	Pin, Spirol Spring
21	CCA623057-2A	1		1					1					*	Pin, Spirol Spring
22	E4728	1							1						Ball Detent
23	CBA625028-1E	1						1	1						Screw, Button Head
24	E3086	1						1							Spring, Compression
26	(See Figure 2)	2	2											*	Sideplate Bushing
27	SL100155	1							2						Nameplate, Enerpac
30	DM0340070	1										1			Handle, Angled
31	DM0306147	1										1			Thumbscrew
32	E2393	1										1			O-Ring
33	SWH10S	1													Handle, Straight (optional)

**Notes:**

- Enerpac recommends that all kit components be installed to assure optimum performance of the repaired product.
- Items 15 and 20: Packet quantity is provided only when item is ordered separately and not included in a kit.

**Note:** This view contains only ratchet, sideplate and guard parts.

- Refer to page 5 for parts kit information.
- See Figure 1 on pages 2 and 3 for the main parts list and a complete exploded view of all cassette parts.



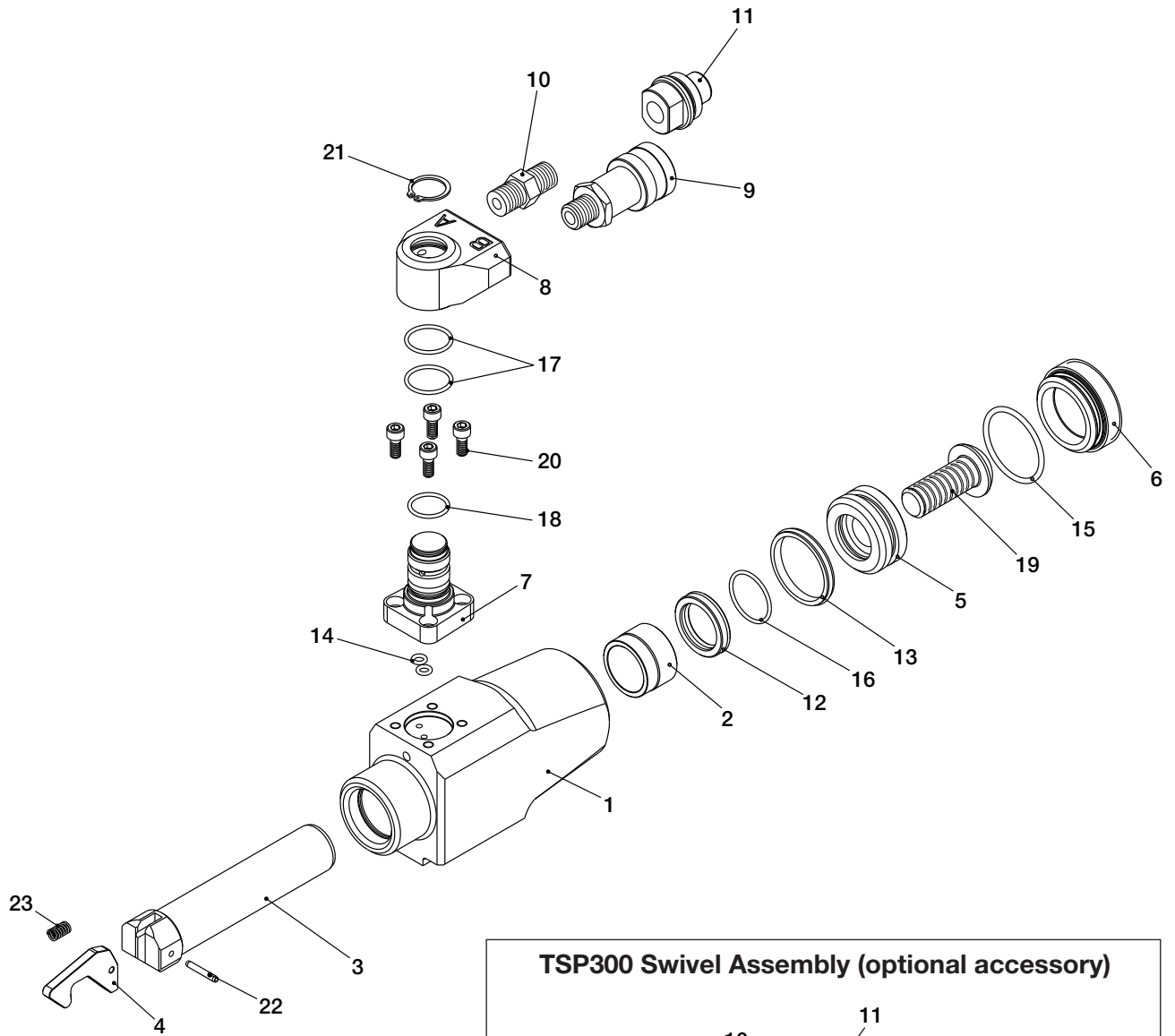
**Note:** Refer to the wrench instruction sheet for:

- Inspection, lubrication and maintenance instructions.
- Torque specifications for selected fasteners.

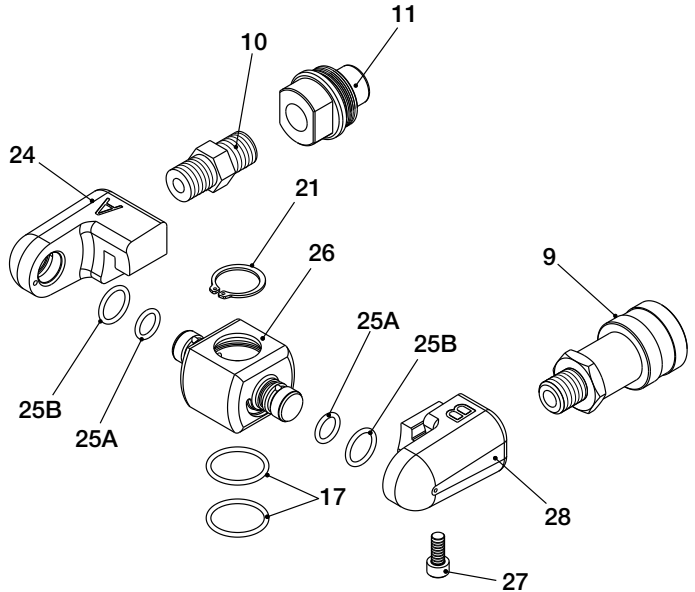
**Figure 2, Ratchet Assembly, Sideplates and Guards, W8000X Series**

**Ratchet, Sideplate and Guard Kits for W8000X Series Cassettes - Refer to Figure 2**

Cassette Model	Part Numbers							
	Ratchet Only (Figure 2, item 5)	Drive Shoe Kit (Figure 2, item 6 and 16)	Ratchet Kit (Figure 2, items 5, 6 & 16)	Ratchet Lever and Pin Kit (Figure 2, items 4 & 21)	LH and RH Sideplates With Bushings (Figure 2, items 2, 3 & 26)	Sideplate Bushings (Figure 2, item 26)	Front Guard (Figure 2, item 8)	Head Guard Kit (Figure 2, Items 7, 8, and 17)
W8114X	8000121114	W8200DSK	W8114RK	W8000220200A	W8000175200A	8000125200	8000116B	W8000XHGKB
W8115X	8000121115	W8200DSK	W8115RK	W8000220200A	W8000175200A	8000125200	8000116B	W8000XHGKB
W8200X	8000121200	W8200DSK	W8200RK	W8000220200A	W8000175200A	8000125200	8000116B	W8000XHGKB
W8201X	8000121201	W8203DSK	W8201RK	W8000220203A	W8000175203A	8000125203	8000116B	W8000XHGKB
W8202X	8000121202	W8203DSK	W8202RK	W8000220203A	W8000175203A	8000125203	8000116B	W8000XHGKB
W8203X	8000121203	W8203DSK	W8203RK	W8000220203A	W8000175203A	8000125203	8000116B	W8000XHGKB
W8204X	8000121204	W8206DSK	W8204RK	W8000220206A	W8000175206A	8000125206	8000116B	W8000XHGKB
W8205X	8000121205	W8206DSK	W8205RK	W8000220206A	W8000175206A	8000125206	8000116B	W8000XHGKB
W8206X	8000121206	W8206DSK	W8206RK	W8000220206A	W8000175206A	8000125206	8000116B	W8000XHGKB
W8207X	8000121207	W8209DSK	W8207RK	W8000220209A	W8000175209A	8000125209	8000116B	W8000XHGKB
W8208X	8000121208	W8209DSK	W8208RK	W8000220209A	W8000175209A	8000125209	8000116B	W8000XHGKB
W8209X	8000121209	W8209DSK	W8209RK	W8000220209A	W8000175209A	8000125209	8000116B	W8000XHGKB
W8210X	8000121210	W8212DSK	W8210RK	W8000220212A	W8000175212A	8000125212	8000116A	W8000XHGK
W8211X	8000121211	W8212DSK	W8211RK	W8000220212A	W8000175212A	8000125212	8000116A	W8000XHGK
W8212X	8000121212	W8212DSK	W8212RK	W8000220212A	W8000175212A	8000125212	8000116A	W8000XHGK
W8213X	8000121213	W8215DSK	W8213RK	W8000220215A	W8000175215A	8000125215	8000116A	W8000XHGK
W8214X	8000121214	W8215DSK	W8214RK	W8000220215A	W8000175215A	8000125215	8000116A	W8000XHGK
W8215X	8000121215	W8215DSK	W8215RK	W8000220215A	W8000175215A	8000125215	8000116A	W8000XHGK
W8300X	8000121300	W8302DSK	W8300RK	W8000220302A	W8000175302A	8000125302	8000116A	W8000XHGK
W8301X	8000121301	W8302DSK	W8301RK	W8000220302A	W8000175302A	8000125302	8000116A	W8000XHGK
W8302X	8000121302	W8302DSK	W8302RK	W8000220302A	W8000175302A	8000125302	8000116A	W8000XHGK
W8303X	8000121303	W8308DSK	W8303RK	W8000220308A	W8000175308A	8000125308	8000116A	W8000XHGK
W8304X	8000121304	W8308DSK	W8304RK	W8000220308A	W8000175308A	8000125308	8000116A	W8000XHGK
W8305X	8000121305	W8308DSK	W8305RK	W8000220308A	W8000175308A	8000125308	8000116A	W8000XHGK
W8085MX	8000121085M	W8308DSK	W8085MRK	W8000220308A	W8000175308A	8000125308	8000116A	W8000XHGK
W8306X	8000121306	W8308DSK	W8306RK	W8000220308A	W8000175308A	8000125308	8000116A	W8000XHGK
W8307IX	8000121307	W8308DSK	W8307IRK	W8000220308A	W8000175308A	8000125308	8000116A	W8000XHGK
W8308X	8000121308	W8308DSK	W8308RK	W8000220308A	W8000175308A	8000125308	8000116A	W8000XHGK
W8090MX	8000121090M	W8314DSK	W8090MRK	W8000220314A	W8000175314A	8000125314	8000116A	W8000XHGK
W8309X	8000121309	W8314DSK	W8309RK	W8000220314A	W8000175314A	8000125314	8000116A	W8000XHGK
W8310X	8000121310	W8314DSK	W8310RK	W8000220314A	W8000175314A	8000125314	8000116A	W8000XHGK
W8311X	8000121311	W8314DSK	W8311RK	W8000220314A	W8000175314A	8000125314	8000116A	W8000XHGK
W8312X	8000121312	W8314DSK	W8312RK	W8000220314A	W8000175314A	8000125314	8000116A	W8000XHGK
W8313X	8000121313	W8314DSK	W8313RK	W8000220314A	W8000175314A	8000125314	8000116A	W8000XHGK
W8314X	8000121314	W8314DSK	W8314RK	W8000220314A	W8000175314A	8000125314	8000116A	W8000XHGK
W8315X	8000121315	W8402DSK	W8315RK	W8000220402A	W8000175402A	8000125402	8000116A	W8000XHGK
W8400X	8000121400	W8402DSK	W8400RK	W8000220402A	W8000175402A	8000125402	8000116A	W8000XHGK
W8401IX	8000121401	W8402DSK	W8401IRK	W8000220402A	W8000175402A	8000125402	8000116A	W8000XHGK
W8402X	8000121402	W8402DSK	W8402RK	W8000220402A	W8000175402A	8000125402	8000116A	W8000XHGK



**TSP300 Swivel Assembly (optional accessory)**



**Notes:**

- Refer to page 7 for parts kit information.
- Drive units with model numbers ending in "PX" are factory equipped with the TSP300 Swivel Assembly.

Refer to the wrench instruction sheet for:

- Inspection, lubrication and maintenance instructions.
- Torque specifications for selected fasteners.

Figure 3, Drive Unit and Swivel Assemblies, W8000X Series

**Repair Parts List for Figure 3**

Item	Part Number	Quantity (used on drive unit)		Quantity (included in each kit)						(*) Item available separately OR in kit.	Description	
		Model W8000X	Model W8000PX	Seal Kit, W8000X Series W8000XSK	Retract Link Kit W8000RLK	Drive Unit Rebuild Kit W8000DRK	Swivel Manifold Seal Kit TSP300MSK	Swivel Post and Manifold Kit SP300MKB (For Standard Swivel)	Swivel Manifold Kit TSP300 (For TSP300 Swivel)			Swivel Post and Manifold Kit TSP300MKB (For TSP300 Swivel)
1	(Not Available)	1	1									Cylinder Body (housing)
2	8000106	1	1			1						Cylinder Bushing
3	8000104	1	1			1						Piston Rod
4	8000105	1	1		1							Retract Link
5	8000103	1	1			1						Piston
6	8000102	1	1			1						Cylinder Gland
7	W15000126	1	1					1		1	*	Swivel Manifold Post (medium)
8	SP300101	1	---					1			*	Swivel Manifold Block (non-tilt)
9	TR630	1	1					1	1	1		Coupling, 10,000 PSI Screw-On
10	FZ1608	1	1					1	1	1		Adaptor, Hex 10,000 PSI
11	TH630	1	1					1	1	1		Nipple, 10,000 PSI Screw-On
12	E2341	1	1	1								Seal, Rod
13	E2031	1	1	1								Seal, T-Piston w/Back Up Rings
14	E2304K	2	2	2			2	2		2	*	O-Ring (packet of 10)
15	E2061	1	1	1								O-Ring
16	E2243	1	1	1								O-Ring
17	E2240	2	2	2			2	2	2	2		O-Ring
18	E2238	1	1	1			1	1	1	1		O-Ring
19	E4606	1	1			1						Screw, Button Head
20	CCA517028-1A	4	4					4		4		Swivel Manifold Retaining Bolt
21	E4856	1	1	1			1	1	1	1		Retainer Ring, Circlip
22	CCA323057-2A	1	1		1							Pin, Spirol Spring
23	E3016K	1	1		1						*	Spring, Compression (packet of 10)
24	TSP300101	---	1						1	1		Swivel Arm, Pressure A
25A	E2235	---	2				2		2	2		O-Ring, Double Swivel (small)
25B	E2173	---	2				2		2	2		O-Ring, Double Swivel (large)
26	TSP300103	---	1						1	1		Manifold Block, Double Swivel
27	E4650	---	1				1		1	1		Capscrew, Swivel Arm
28	TSP300102	---	1						1	1		Swivel Arm, Return B

**Notes:** • Enerpac recommends that all kit components be installed to assure optimum performance of the repaired product.  
 • Item 23: Packet quantity is provided only when item is ordered separately and not included in a kit.

<b>Repair Parts Table 4 for Hydraulic Torque Wrench Case</b>			
<b>Item</b>	<b>Part Number</b>	<b>Qty.</b>	<b>Description</b>
1	M2100	1	Carrying Case, Drive Unit, W8000X
2	M2200	1	Carrying Case, Cassette, W8000X









