

## Level measurement

Continuous level measurement  
Ultrasonic transmitters

### SITRANS LU150

#### Overview



SITRANS LU150 is a short-range integrated ultrasonic level transmitter. This general purpose, 2-wire, 4 to 20 mA loop powered transmitter is ideal for liquids, slurries, and bulk materials in open or closed vessels to 5 m (16.4 ft).

#### Benefits

- Easy to install, program, and maintain
- Accurate and reliable
- Sanitary models available
- Patented Sonic Intelligence echo processing
- Integral temperature compensation

#### Application

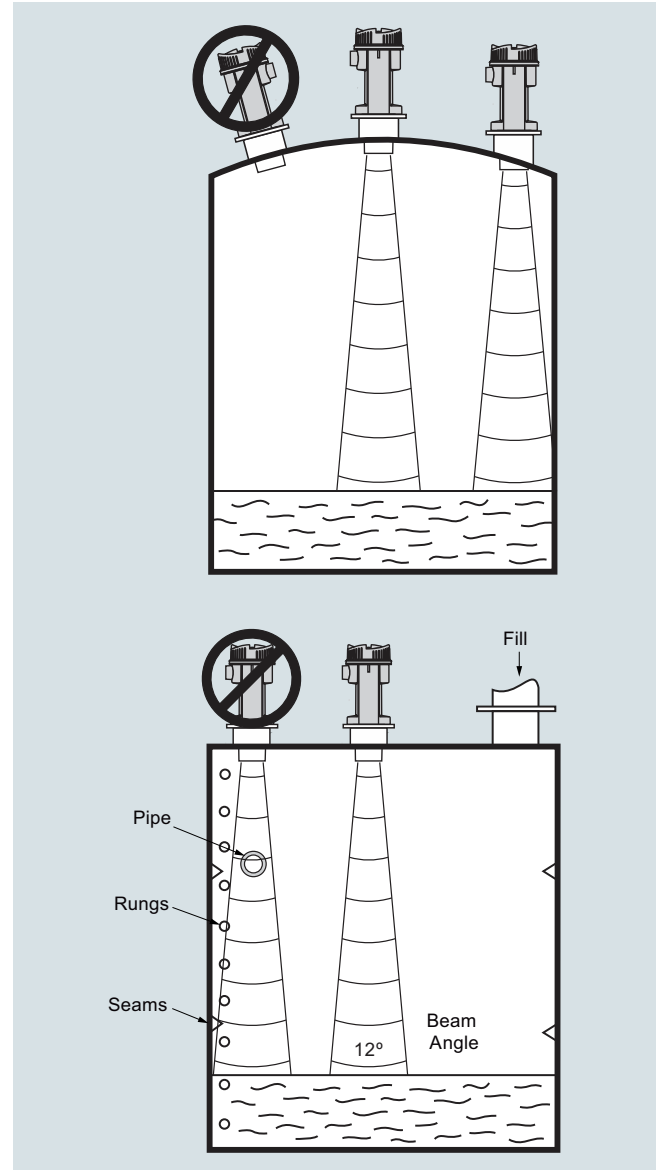
The transducer is available in PVDF copolymer, making the device suitable for use in a wide variety of applications.

SITRANS LU150 is easy to install and maintain, and can be quickly removed for cleaning as required by the food, beverage and pharmaceutical industries.

The reliability of the level data is based on the Sonic Intelligence echo processing algorithms. A filter discriminates between the true echo and false echoes from acoustic or electrical noises and agitator blades in motion. The ultrasonic pulse propagation time to the material and back is temperature-compensated and converted into distance for display, analog output.

- Key Applications: chemical storage vessels, filter beds, mud pits, liquid storage vessels, food applications

#### Configuration

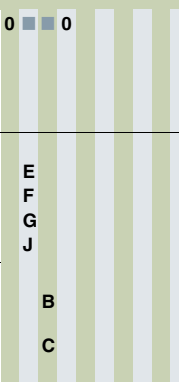


SITRANS LU150 mounting

#### Technical specifications

Mode of Operation	
Measuring principle	Ultrasonic level measurement
Input	
Measuring range	0.25 ... 5 m (0.8 ... 16.4 ft)
Frequency	54 kHz
Output	
mA	4 ... 20 mA
• Span	Proportional/ inversely proportional
• Max. load	600 Ω in the loop at 24 V DC
Power supply	
Supply voltage	12 ... 30 V DC, 0.1 A surge
Max. power consumption	0.75 W (25 mA at 24 V DC)
Certificates and approvals	
	cCSA <sub>US</sub> , CE, UKCA
Accuracy	
Error in measurement	0.25 % of measuring range (in air)
Resolution	3 mm (0.125 inch)
Temperature compensation	Built in
Echo processing	Sonic Intelligence
Rated operation conditions	
Beam angle	12°
Ambient temperature	
• Standard	-30 ... +60 °C (-22 ... +140 °F)
• Metallic mounting	-20 ... +60 °C (-4 ... +140 °F)
Storage temperature	
• Standard	-30 ... +60 °C (-22 ... +140 °F)
• Metallic mounting	-20 ... +60 °C (-4 ... +140 °F)
Max. static operating pressure	Normal atmospheric pressure
Design	
Weight	1.3 kg (2.9 lb)
Material	
• Electronics enclosure	PBT
• Transducer	PVDF copolymer
Degree of protection	IP68 / NEMA 6 / TYPE 6
Process connection	<ul style="list-style-type: none"> <li>• 2" NPT [(Taper), ASME B1.20.1]</li> <li>• R 2" [(BSPT), EN 10226]</li> <li>• G 2" [(BSPP), EN ISO 228-1]</li> <li>• 4" sanitary</li> </ul>
Flange adapter	3" Universal, (fits DN 65, PN 10 and 3" ASME)
Cable inlet	1 inlet for M20, optional 1/2" NPT

#### Selection and ordering data

SITRANS LU150 Ultrasonic level transmitter		Article No.
Continuous, non-contact, 5 m (16.4 ft) range. Monitors level in liquids and slurries. Basic level performance.		<b>7ML5201-</b> 
↗ Click on the Article No. for the online configuration in the PIA Life Cycle Portal.		
Transducer/Process connection (PVDF)		<b>E</b> <b>F</b> <b>G</b> <b>J</b>  <b>B</b>  <b>C</b>
PVDF copolymer, 2" NPT [(Taper), ASME B1.20.1]		
PVDF copolymer, R 2" [(BSPT), EN 10226]		
PVDF copolymer, G 2" [(BSPP), EN ISO 228-1]		
PVDF copolymer, 4" Sanitary mounting		
Cable inlet		
M20 x 1.5 [General Purpose cable gland -20 ... +60 °C (-4 ... +140 °F) included]		
1/2" NPT stainless steel entry (no cable gland included)		
Further designs		Order code
Please add "-Z" to Article No. and specify Order code(s).		
Stainless steel tag [13 x 45 mm (0.5 x 1.75 inch)]: Measuring-point number/identification (max. 20 characters) specify in plain text		<b>Y15</b>
Test certificate: Manufacturer's test certificate M to DIN 55350, Part 18 and to ISO 9000		<b>C11</b>
Operating Instructions		
All literature is available to download for free, in a range of languages, at		
<a href="http://www.siemens.com/processinstrumentation/documentation">http://www.siemens.com/processinstrumentation/documentation</a>		
Accessories		Article No.
Tag, stainless steel, 12 x 45 mm (0.47 x 1.77 inch), one text line		<b>7ML1930-1AC</b>
Universal Box Bracket Mounting kit		<b>7ML1830-1BK</b>
Sanitary 4" mounting clamp		<b>7ML1830-1BR</b>
3" ASME, DN 65 PN 10, JIS 10K 3B ETFE Flange adapter for 2" NPT		<b>7ML1830-1BT</b>
3" ASME, DN 65 PN 10, JIS 10K 3B ETFE Flange adapter for 2" BSPT		<b>7ML1830-1BU</b>
2" BSP nylon plastic locknut		<b>7ML1830-1DQ</b>
2" NPT nylon plastic locknut		<b>7ML1830-1DT</b>
Cable Gland - General Purpose -20 ... +60 °C (-4 ... +140 °F)		<b>A5E34457564</b>

## Level measurement

Continuous level measurement

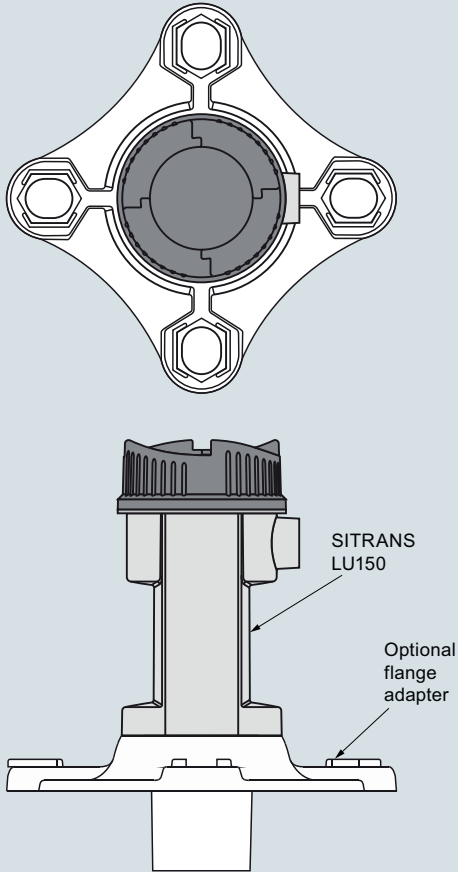
Ultrasonic transmitters

### SITRANS LU150

#### Options

##### SITRANS LU150, Flange Adapter

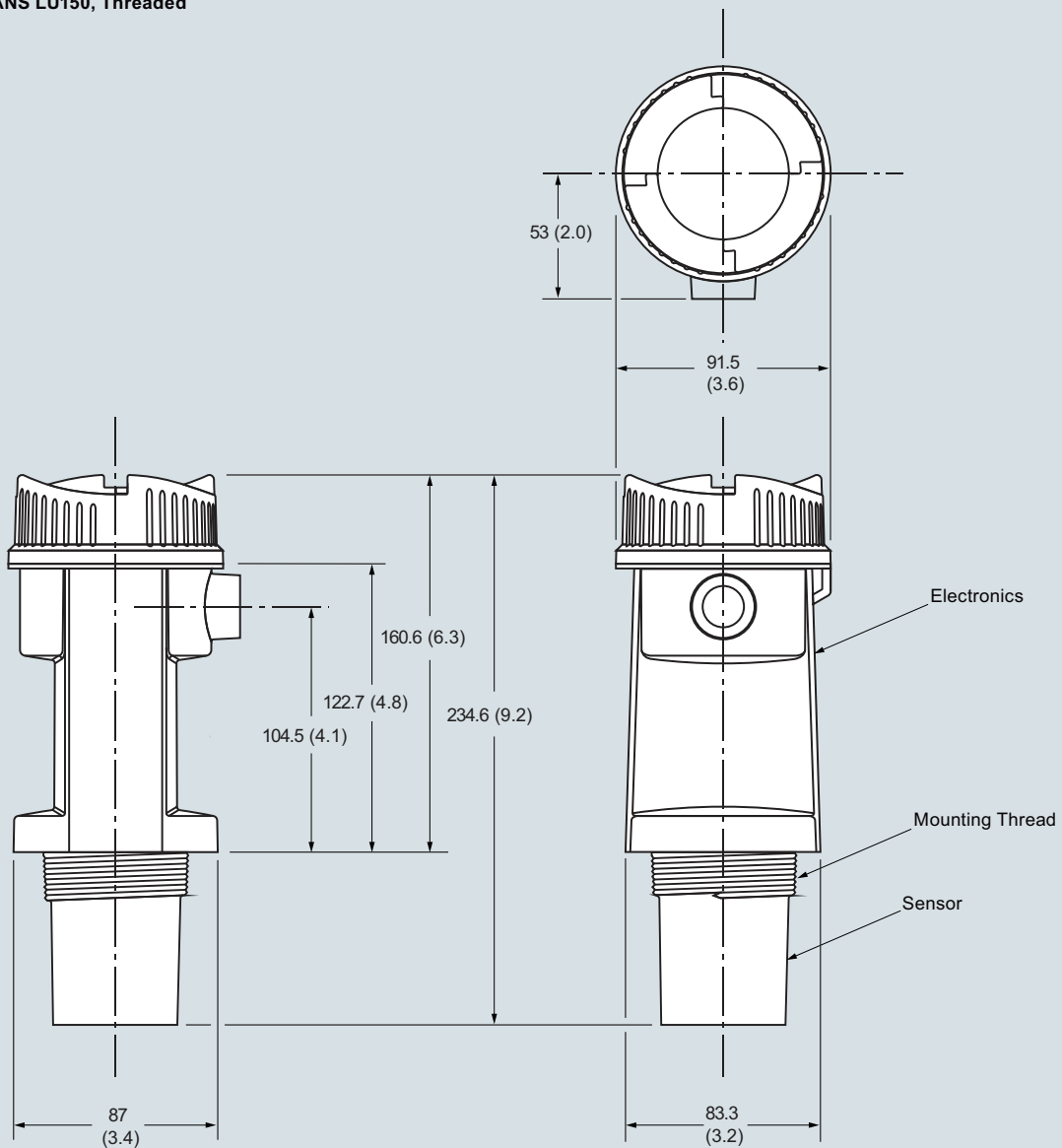
The SITRANS LU150 can be fitted with the optional 75 (3) flange adapter for mating to 3" ASME, DIN 65 PN10 and JIS 10K3B flanges.



SITRANS LU150 optional flange adapter, dimensions in mm (inch)

## Dimensional drawings

SITRANS LU150, Threaded



SITRANS LU150, dimensions in mm (inch)

## Level measurement

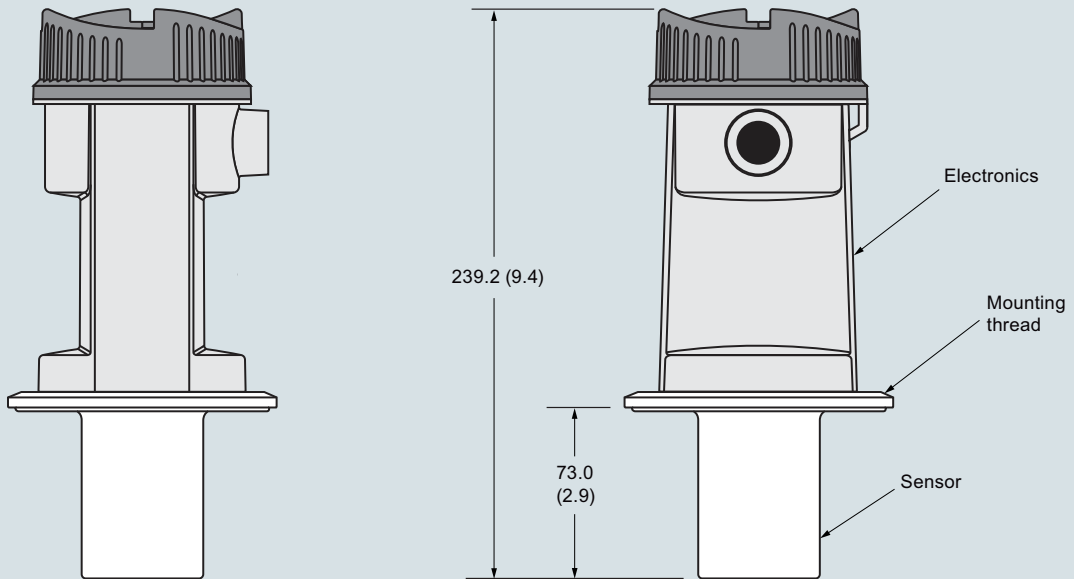
Continuous level measurement

Ultrasonic transmitters

### SITRANS LU150

#### Dimensional drawings (continued)

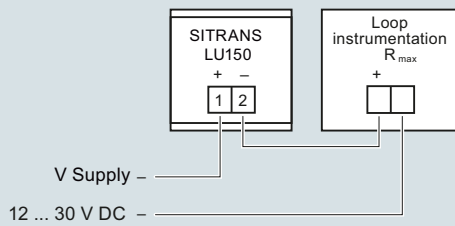
##### SITRANS LU150, Sanitary



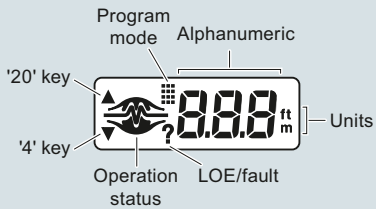
SITRANS LU150, dimensions in mm (inch)

#### Circuit diagrams

##### Threaded and Sanitary models



##### Display



SITRANS LU150 connections