

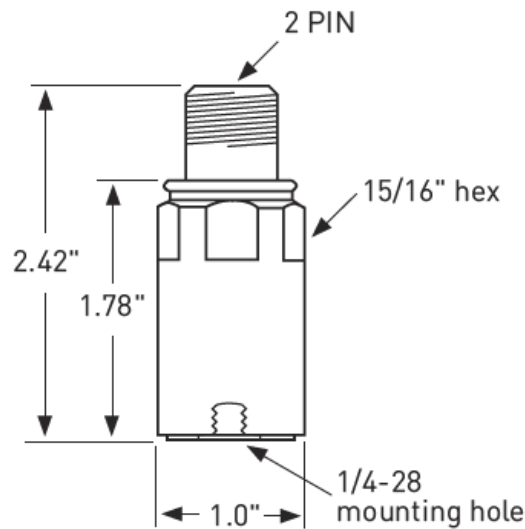
# Premium PiezoFET® accelerometer 793



## Key features

- Corrosion resistant
- Ground isolated
- Rugged design
- Hermetically sealed
- ESD protection
- Reverse wiring protection
- Overcurrent protection

## Certifications



| Connections  |               |
|--------------|---------------|
| Function     | Connector pin |
| power/signal | A             |
| common       | B             |
| ground       | shell         |

Note: Due to continuous process improvement, specifications are subject to change without notice.  
This document is cleared for public release.

Wilcoxon Sensing Technologies  
20511 Seneca Meadows Parkway  
Germantown, MD 20876  
info@wilcoxon.com

Tel: (301) 330 8811  
Fax: (301) 330 8873  
www.wilcoxon.com

Wilcoxon Sensing Technologies  
An Amphenol Company

# Premium PiezoFET® accelerometer 793

## SPECIFICATIONS

|   |                                    |          |
|---|------------------------------------|----------|
| <b>Sensitivity, ±5%, 25° C</b>          | 100 mV/g                           |          |
| <b>Acceleration range, VDC &gt; 25V</b> | 80 g peak                          |          |
| <b>Amplitude nonlinearity</b>           | 1%                                 |          |
| <b>Frequency response:</b>              |                                    |          |
| ± 5%                                    | 1.5 - 5,000 Hz                     |          |
| ± 10%                                   | 1.0 - 7,000 Hz                     |          |
| ± 3 dB                                  | 0.5 - 15,000 Hz                    |          |
| <b>Resonance frequency</b>              | 25 kHz                             |          |
| <b>Transverse sensitivity, max</b>      | 5% of axial                        |          |
| <b>Temperature response:</b>            |                                    |          |
| -50° C                                  | -15%                               |          |
| +120° C                                 | +20%                               |          |
| <b>Voltage source</b>                   | 18 - 30 VDC                        |          |
| <b>Current regulating diode</b>         | 2 - 10 mA                          |          |
| <b>Electrical noise, equiv. g:</b>      |                                    |          |
| Broadband                               | 2.5 Hz to 25 kHz                   | 600 µg   |
| Spectral                                | 10 Hz                              | 8 µg/√Hz |
|   | 100 Hz                             | 5 µg/√Hz |
|   | 1,000 Hz                           | 5 µg/√Hz |
| <b>Output impedance, max</b>            | 100 Ω                              |          |
| <b>Bias output voltage</b>              | 12 VDC                             |          |
| <b>Grounding</b>                        | case isolated, internally shielded |          |
| <b>Temperature range</b>                | -50 to +120° C                     |          |
| <b>Vibration limit</b>                  | 500 g peak                         |          |
| <b>Shock limit</b>                      | 5,000 g                            |          |
| <b>Sealing</b>                          | hermetic                           |          |
| <b>Base strain sensitivity</b>          | 0.0005 g/µstrain                   |          |
| <b>Sensing element design</b>           | PZT / compression                  |          |
| <b>Weight</b>                           | 112 grams                          |          |
| <b>Case material</b>                    | 316L stainless steel               |          |
| <b>Mounting</b>                         | 1/4-28 tapped hole                 |          |
| <b>Output connector</b>                 | 2 pin, MIL-C-5015 style            |          |
| <b>Mating connector</b>                 | R6 type                            |          |
| <b>Recommended cabling</b>              | J10 / J9T2A                        |          |

## Contact

Wilcoxon Sensing  
Technologies

20511 Seneca Meadows Parkway  
Germantown MD 20876, USA

Tel: +1 301 330 8811  
Fax: +1 301 330 8873

info@wilcoxon.com

www.wilcoxon.com

## Accessories supplied:

- Calibration data (level 3)
- SF6 mounting stud (metric mounting available)

**Options available:** Intrinsic safety certifications (consult factory)

Note: Due to continuous process improvement, specifications are subject to change without notice.  
This document is cleared for public release.

Wilcoxon Sensing Technologies  
20511 Seneca Meadows Parkway  
Germantown, MD 20876  
info@wilcoxon.com

Tel: (301) 330 8811  
Fax: (301) 330 8873  
www.wilcoxon.com

**Wilcoxon Sensing Technologies**  
An Amphenol Company