

To Protect Your Warranty, Use Only ENERPAC Hydraulic Oil.

Enerpac recommends that all kit components be installed to assure optimum performance of the repaired product.

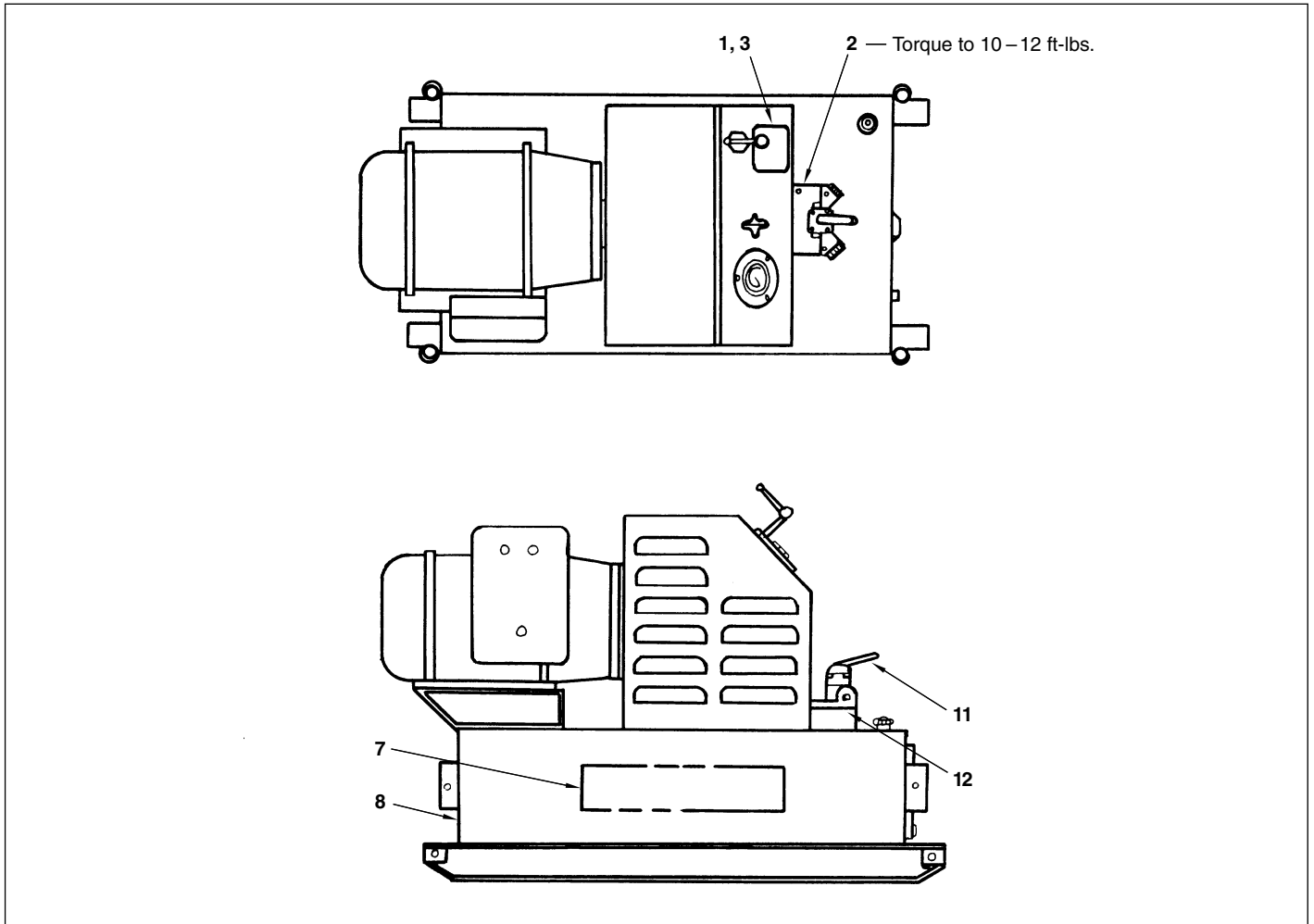
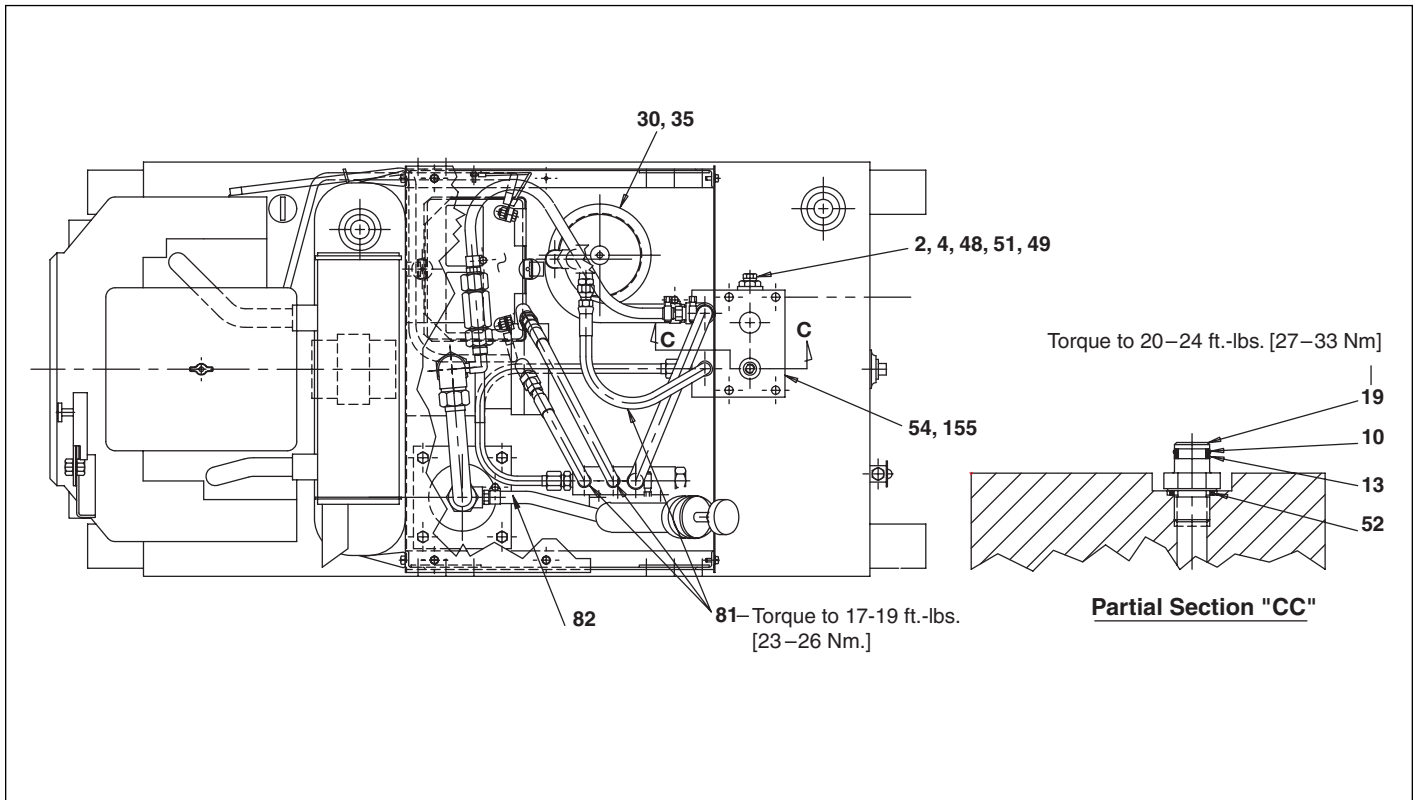
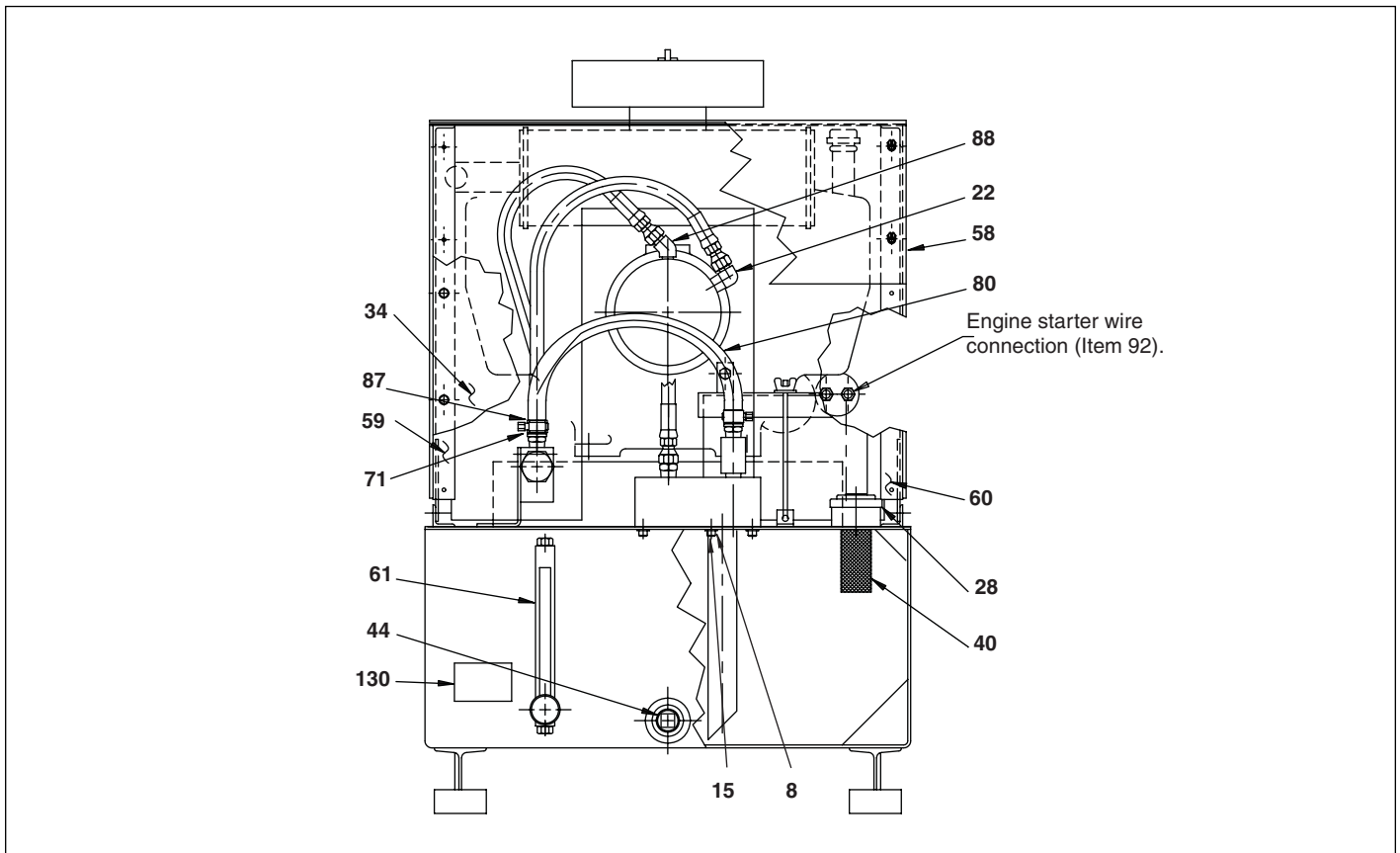


Figure 1

Repair Parts List for Figure 1			
Item	Part Number	Qty.	Description
1	Y697003	4	Rivet
2	B1351028	6	Cap screw for PEM8218
	B1351028	3	Cap screw for PEM8418
	B1359028	2	Screw for PEM8418
3	CN615026	1	Name plate
5	CJ375026	1	Decal
7	CL537026	2	Decal
11	VM-2	1	Manual valve for PEM8218
	VM-4	1	Manual valve for PEM8418
12	F786167	1	Gasket



**Figure 2, Top View**



**Figure 3, Front View**

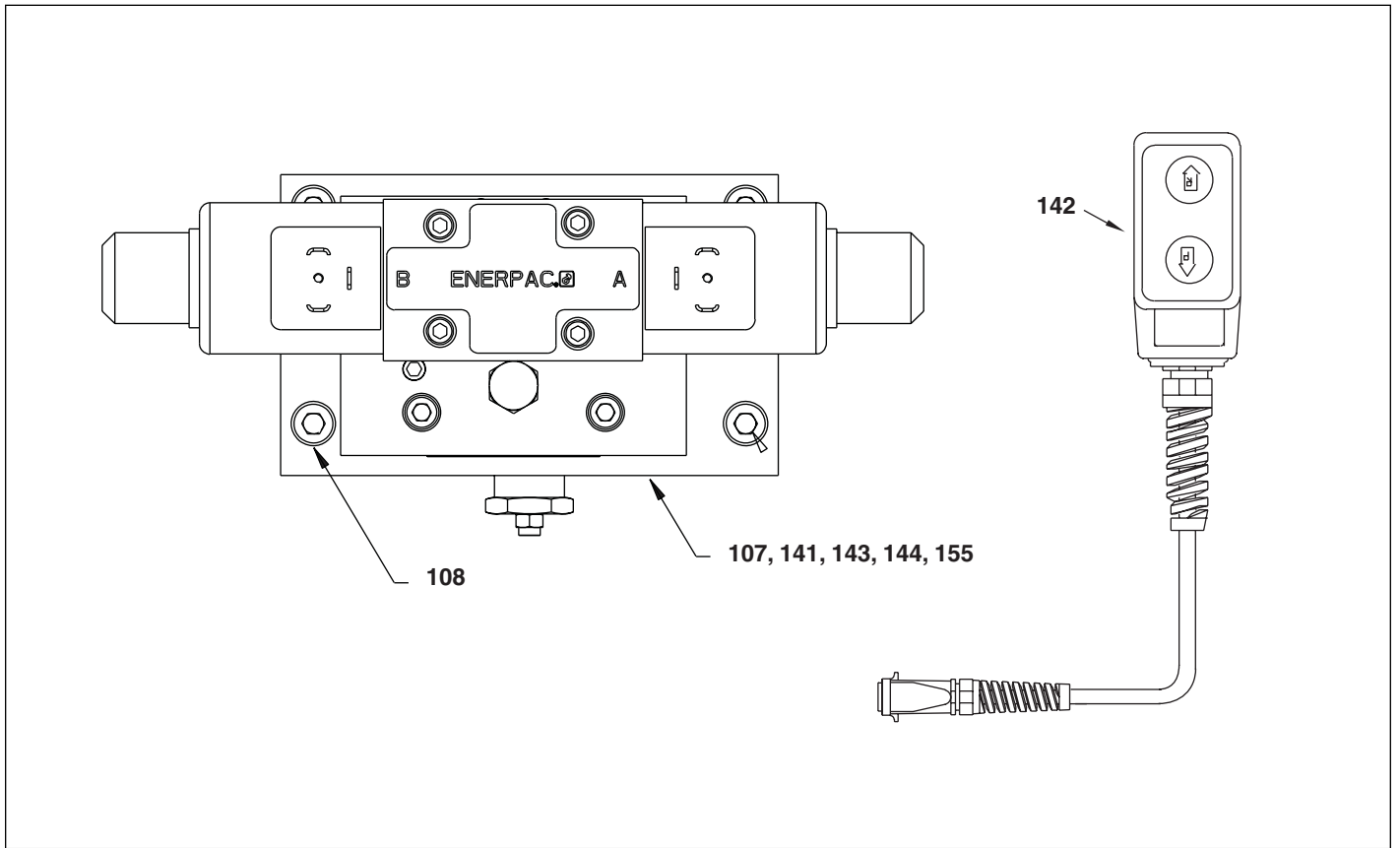
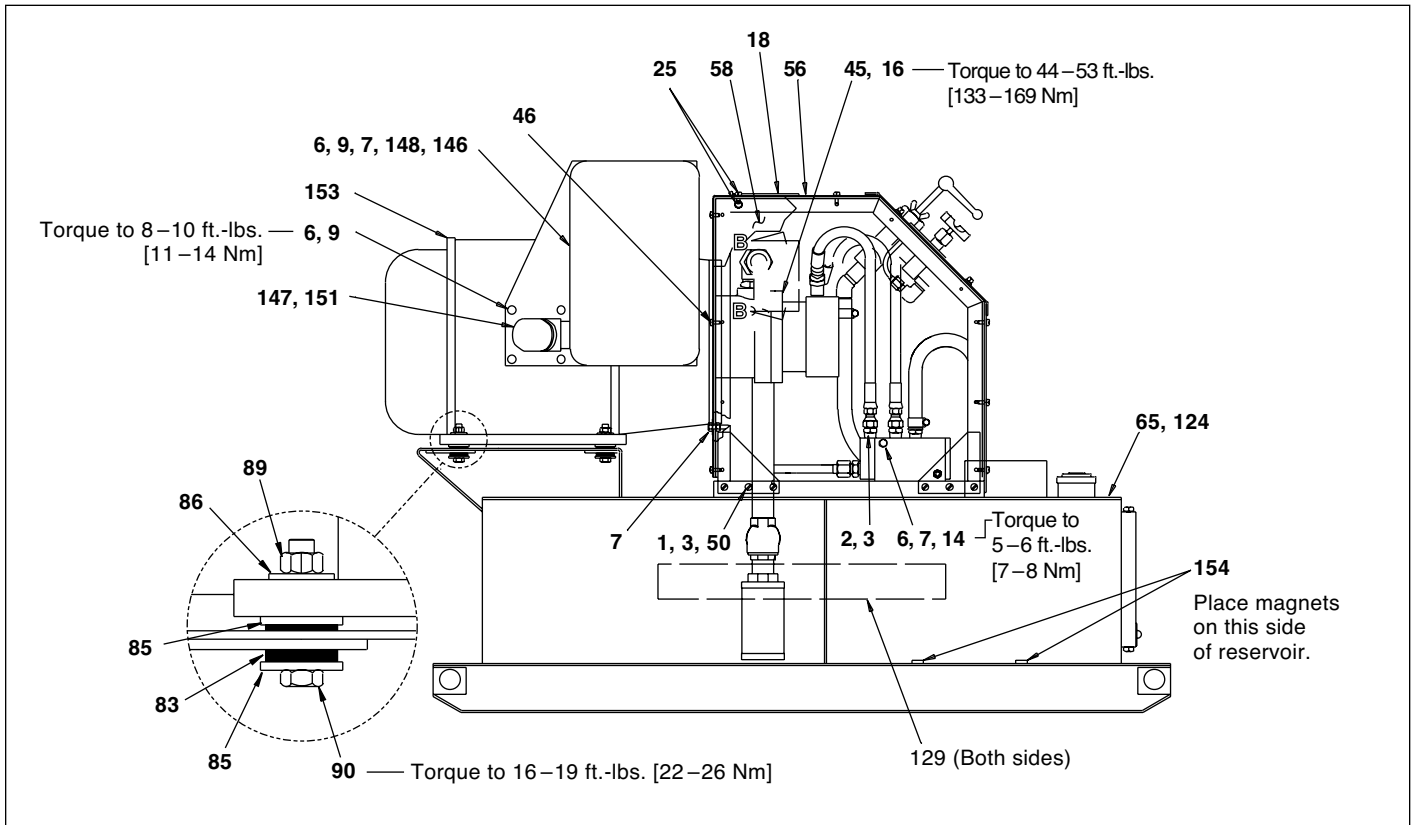
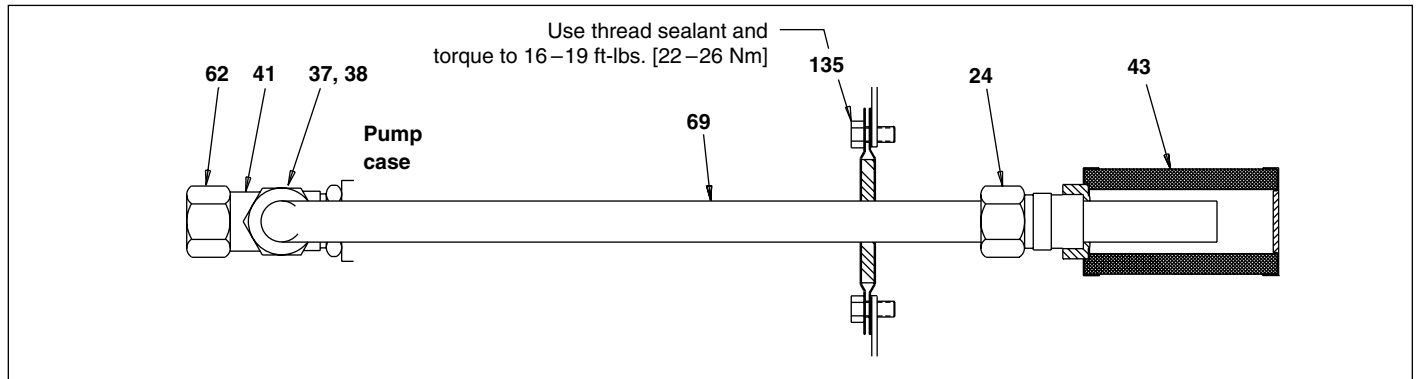


Figure 4, Pendant and 4-way Valve

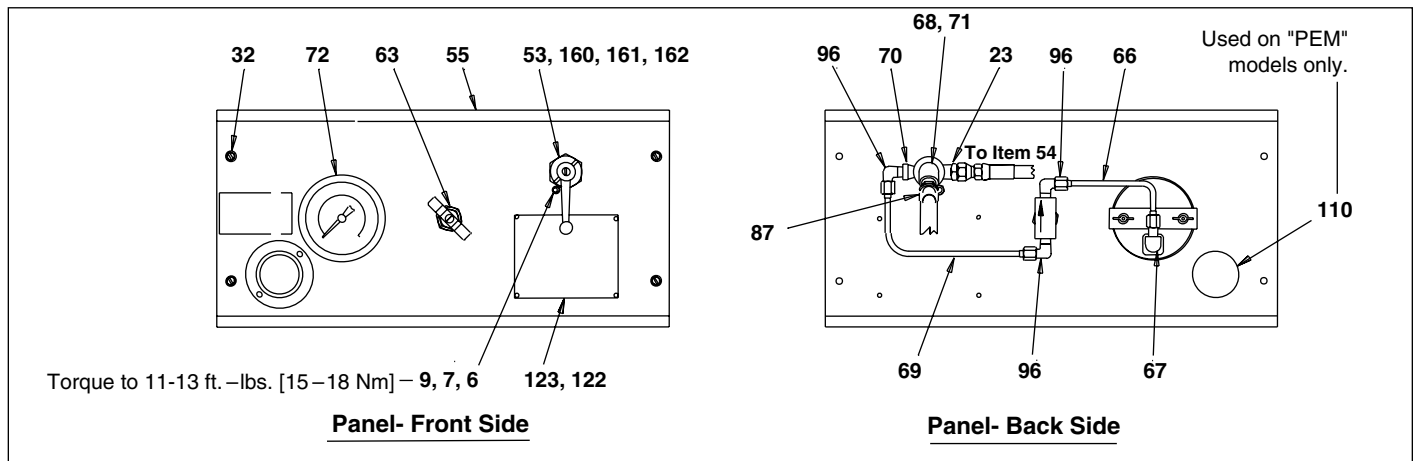
Repair Parts List for Figure 2, 3 and 4							
Item	Part Number	Qty.	Description	Item	Part Number	Qty.	Description
2	P181190W	1	Relief Assembly	58	DA12318134	2	Side Panel
4	B159167	1	Gasket	59	Y791001	1	Frame Left
8	B1002066	6	Lock Washer	60	Y792001	1	Frame Right
10	B1007503	1	O-Ring	61	Y818023	1	Gauge
13	B1012564	1	Back-up	71	C724034	4	Coupling
15	B1035046	6	Screw	80	CU285646	2	Hose
19	C649270	1	Connector	81	DA5936646	3	Hose Assembly
22	CA200096	1	Male Elbow	82	CU283268	1	Tube Assembly
28	F278020	1	Cap	87	CB40299	4	Hose Clamp
30	F285098	1	Hole Cover	88	CU234096	1	45° Male Elbow
34	F646134	1	Front Panel	107	F786167	1	Gasket
35	F657167	1	Cover Gasket	108	B1363028	4	Socket Head Capscrew (.312-18 x 2.75)
40	F799018	1	Oil Filter Screen	130	CJ375026	1	Caution Decal
44	L788006	1	Pipe Plug	141	DC6233950	1	Four Way Valve
48	P18247	1	Gasket	142	IC43	1	Push Button Assy.
49	P182272-1	1	Cover Plug	143	DC6845086	1	Decal Valve
51	R515245-2	1	Plug	144	CH272026	1	Caution Decal
52	S15167	1	Gasket	155	F786167	1	Gasket
54	Y763950	1	Base Assembly				



**Figure 5, Side View**



**Figure 6, Suction Line**

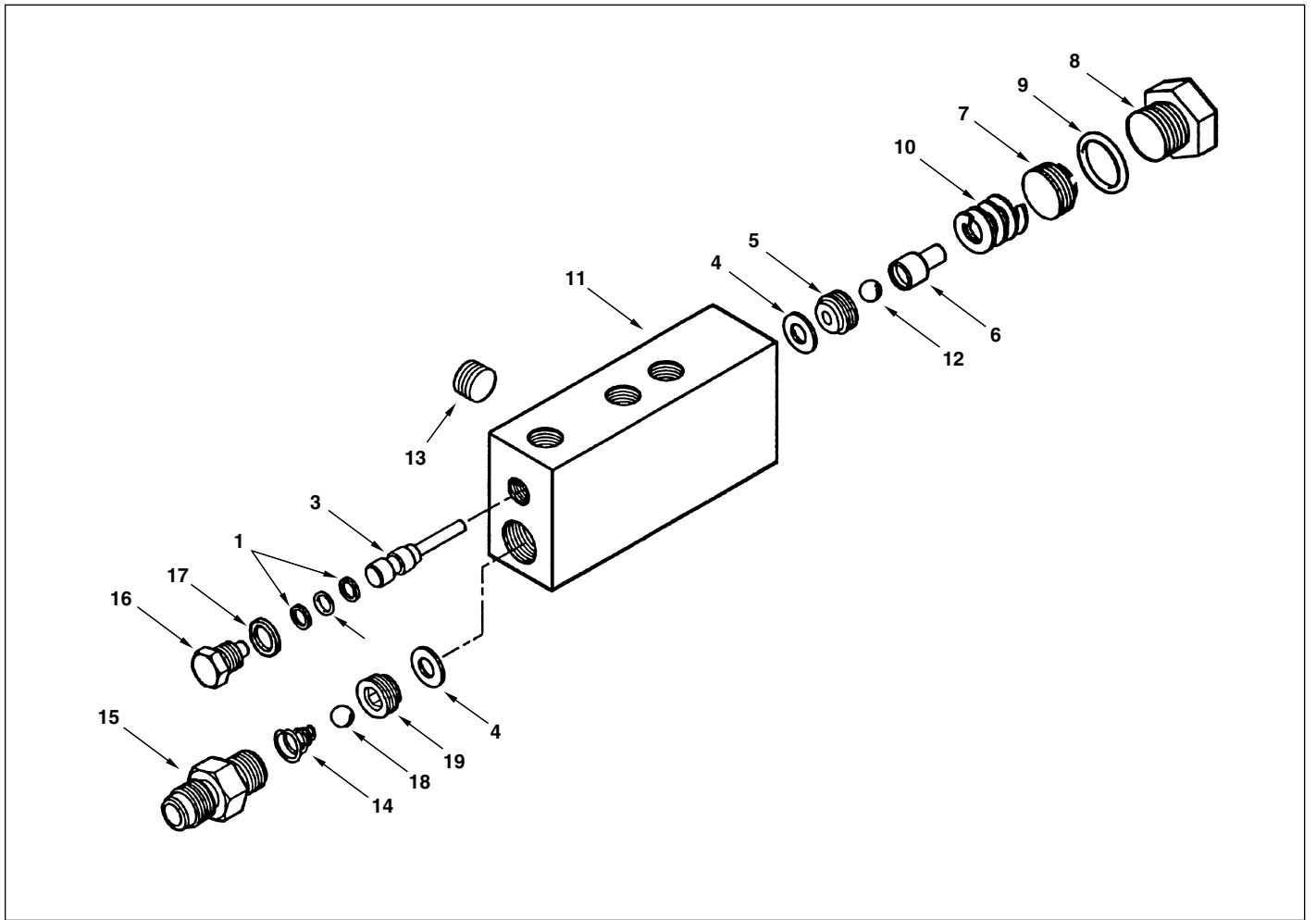


**Figure 7, Control Panel**

**Repair Parts List for Figure 5, 6 and 7**

Item	Part Number	Qty.	Description	Item	Part Number	Qty.	Description
1	B1018121	12	Hex Nut	69	CU280268	1	Tube Assembly
3	B1080066X	12	Washer	70	CJ657032	1	Reducer Bushing
6	B1001066	3	.25 Lock Washer	71	C724034	4	Coupling
7	B1001120	3	Nut	72	CR792023	1	Gauge 4"
9	B1003028	1	.250-20 UNC x .50	83	CU290885	4	Isolation Mount
14	B1017046	2	Screw	85	CU289108	8	Tail Washer
16	B1139028	2	.50-13 x 1.25	86	B1028108	4	Washer
18	F735885	1	Seal Kit	87	CB40299	4	Hose Clamp
23	CA945096	4	Connector	89	B1005120	4	Hex Nut
24	CF767900	1	Connector Assembly	90	B1087046	4	Cap Screw
25	CB558028	38	Screw	96	C332291	3	Fitting
32	F423028	4	Screw	110	DA5354009	1	Snap-In Seal
37	F736885	1	Tube	122	Y697003	4	Rivet
38	F793055	1	Tube Nut	123	CN615026	1	Nameplate Electric Pumps
41	F795096	1	Tee Run	129	CL537026	2	Decal
43	L747018	1	Filter	135	F279004	1	Suction Kit
45	L680900	1	Pump Assembly	146	◆DC4865980	1	230V Starter
46	M393034	1	Coupler		◆DC4864980	1	460V Starter
50	P182252	12	Screw		◆DC4863980	1	575V Starter
53	V152	1	Valve Assembly	147	F104550-17	2	Conduit Nut
55	Y786134	1	Instruction Panel	148	DC4883101	1	Plate
56	Y787134	1	Rear Panel	151	DC4884291	1	Corner Pull Elbow
58	DA12318134	2	Side Panel	153	L835259	1	Electric Motor
62	F802055	1	Tube Cap	154	C187018	6	Magnet
63	Y908950	1	Gauge Sheet Valve	160	P45138	1	Screw
65	CU372900	1	Reservoir Assembly	161	P45139	1	Washer
66	CU279268	1	Tube Assembly	162	P6012	1	Lever
67	CH304096	1	Elbow	163	F100431-50	1	Nipple
68	CU235096	1	45° Street Elbow				

◆ Note 1: Starter Settings, 230 Volt-34, 460 Volt-22, 575 Volts-12. For all other voltage please call customer service.



**Figure 8, Valve Assembly**

Repair Parts List for Figure 8							
Item	Part Number	Qty.	Description	Item	Part Number	Qty.	Description
1	DA3418367	2	Back-Up Ring	11	CF677190	1	Valve Body
2	B1005503	1	Seal	12	B1011016	1	3/8" Ball
3	CL580040	1	Plunger	13	A1009245	1	Plug
4	Y932167	2	Gasket	14	Y926110	1	Spring
5	CU309290	1	Seat	15	CU287096	1	Fitting
6	CU310160	1	Retainer	16	CL399900W	1	Valve Plug Assembly
7	DA6374006	1	Plug	17	B159167	1	Gasket
8	CF797.096	1	Plug	18	B1013016	1	7/16" Ball
9	Y219167	1	Gasket	19	Y924290	1	Seat
10	CU315110	1	Spring				

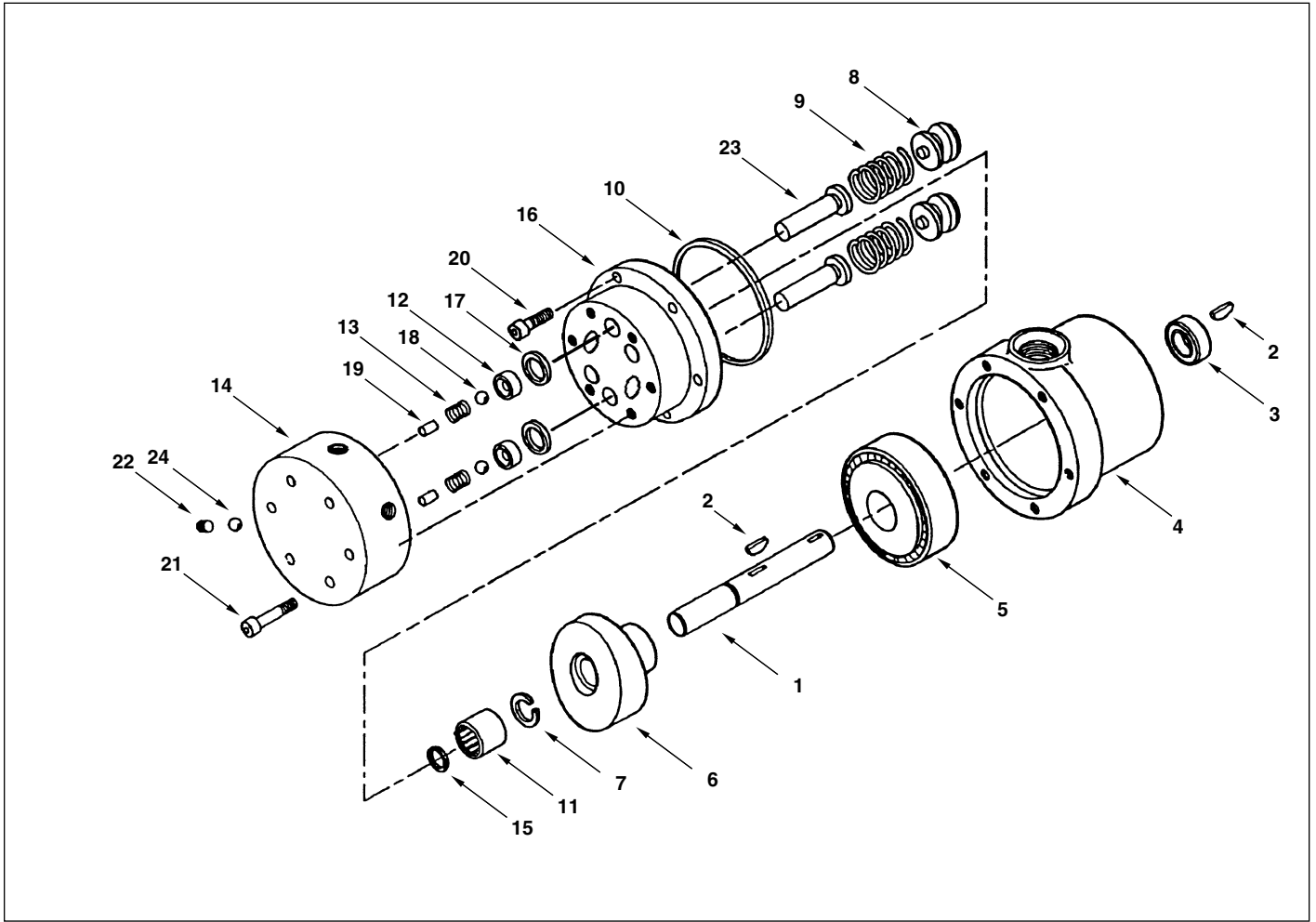


Figure 9, Pump Assembly, Pump Part No. L680900

Repair Parts List for Figure 9

Item	Part Number	Qty.	Description	Item	Part Number	Qty.	Description
1	B9002288	1	Shaft	13	★ A1033110	6	Outlet Spring
2	A9001408	2	Key	14	L678098	1	Pump Cover
3	★ A9001476	1	Oil Seal	15	A9001562	1	Thrust Washer
4	L675001	1	Pump Housing	16	C9003050	1	Barrel
5	A9002155	1	Bearing	17	B1211803	6	O-Ring
6	C9003101	1	Plate	18	★ B1011016	6	Ball
7	★ A9001049	1	Retaining Ring	19	A9000061	6	Ball Stop
8	P237418	6	Retainer	20	B1069028	6	Cap Screw
9	P237170-2	6	Piston Return Spring	21	B1073028	6	Cap Screw
10	★ B1109503	1	O-Ring	22	A9000027	4	Pipe Plug
11	A9003155	1	Needle Bearing	23	A9001900	6	Piston Assembly
12	A9000290	4	Seat	24	B1007016	4	Ball

★ Items included in and available only as part of Repair Kit L930K.

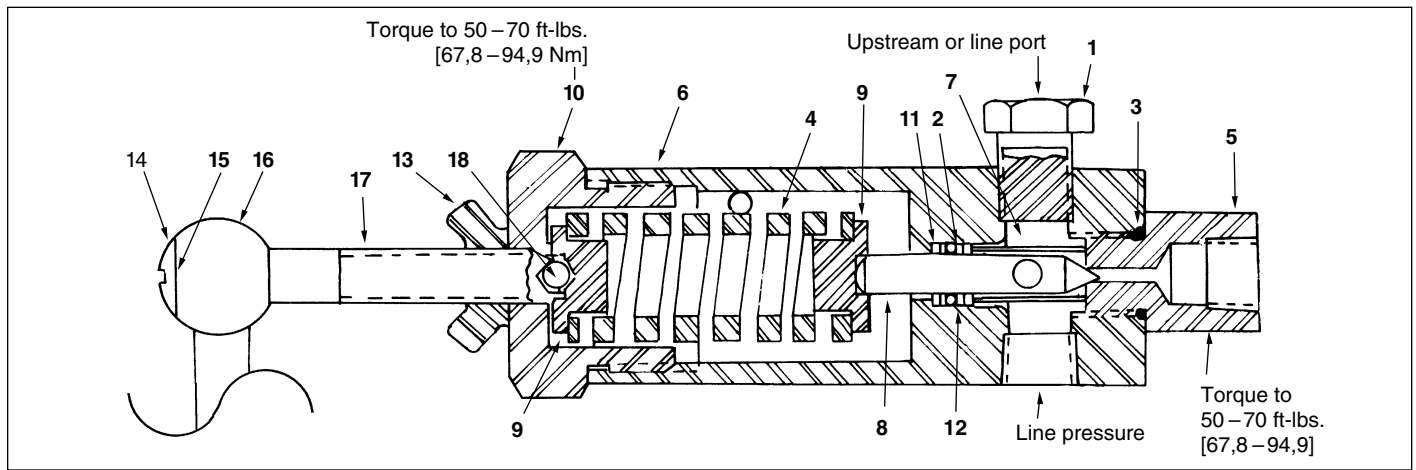


Figure 10, Relief Valve

Repair Parts List for Figure 10

Item	Part Number	Qty.	Description	Item	Part Number	Qty.	Description
1	R515245-2	1	Pressure Plug	10	CB955006	1	Plug
2	★ B1006503	1	O-Ring	11	★ CB956186	1	Spacer
3	★ B1220503	1	O-Ring	12	★ CB957564	2	Back-Up Ring
4	CB470110	1	Compression Spring	13	F85021	1	Wing Nut
5	DA2949290	1	Seat	14	P45138	1	Machine Screw
6	CB951190	1	Valve Body	15	P45139	1	Lock Washer
7	CB952013	1	Piston Guide	16	P6012	1	Valve Lever
8	CB953051	1	Piston	17	Y200010	1	Valve Spindle
9	CB954013	2	Spring Guide	18	★B1005016	1	Ball

★ Items included in and available only as part of Repair Kit V-152K.

Enerpac Worldwide Locations

**Africa**  
ENERPAC Middle East FZE  
Office 423, JAFZA 15  
P.O. Box 18004  
Jebel Ali, Dubai  
United Arab Emirates  
Tel: +971 (0)4 8872686  
Fax: +971 (0)4 8872687

**Australia, New Zealand**  
Actuant Australia Ltd.  
Block V Unit 3  
Regents Park Estate  
391 Park Road  
Regents Park NSW 2143  
(P.O. Box 261) Australia  
Tel: +61 297 438 988  
Fax: +61 297 438 648

**Brazil**  
Power Packer do Brasil Ltda.  
Rua dos Inocentes, 587  
04764-050 - Sao Paulo (SP)  
Tel: +55 11 5687 2211  
Fax: +55 11 5686 5583  
**Toll Free in Brazil:**  
Tel: 0800 891 5770  
vendasbrasil@enerpac.com

**Canada**  
Actuant Canada Corporation  
6615 Ordan Drive, Unit 14-15  
Mississauga, Ontario L5T 1X2  
Tel: +1 905 564 5749  
Fax: +1 905 564 0305  
**Toll Free:**  
Tel: +1 800 268 4987  
Fax: +1 800 461 2456  
**Technical Inquiries:**  
techservices@enerpac.com

**China**  
Actuant China Ltd.  
1F, 269 Fute N. Road  
Waigaoqiao Free Trade Zone  
Pudong New District  
Shanghai, 200 131 China  
Tel: +86 21 5866 9099  
Fax: +86 21 5866 7156

**Actuant China Ltd. (Beijing)**  
709B Diyang Building  
Xin No. 2  
Dong San Huan North Rd.  
Beijing City  
100028 China  
Tel: +86 10 845 36166  
Fax: +86 10 845 36220

**Central and Eastern Europe, Greece**  
ENERPAC GmbH  
P.O. Box 300113  
D-40401 Düsseldorf  
Willstätterstrasse13  
D-40549 Düsseldorf  
Germany  
Tel: +49 211 471 490  
Fax: +49 211 471 49 28

**France, Switzerland francophone**  
ENERPAC , Une division de ACTUANT  
France S.A.  
ZA de Courtaboeuf  
32, avenue de la Baltique  
91140 VILLEBON /YVETTE  
France  
Tel: +33 1 60 13 68 68  
Fax: +33 1 69 20 37 50

✦ e-mail: info@enerpac.com

**Germany, Austria and Switzerland**  
ENERPAC GmbH  
P.O. Box 300113  
D-40401 Düsseldorf  
Willstätterstrasse13  
D-40549 Düsseldorf  
Germany  
Tel: +49 211 471 490  
Fax: +49 211 471 49 28

**India**  
ENERPAC Hydraulics  
(India) Pvt. Ltd.  
Office No. 9,10 & 11,  
Plot No. 56, Monarch Plaza,  
Sector 11, C.B.D. Belapur  
Navi Mumbai 400614, India  
Tel: +91 22 2756 6090  
Tel: +91 22 2756 6091  
Fax: +91 22 2756 6095

**Italy**  
ENERPAC S.p.A.  
Via Canova 4  
20094 Corsico (Milano)  
Tel: +39 02 4861 111  
Fax: +39 02 4860 1288

**Japan**  
Applied Power Japan Ltd.  
Besshochou 85-7  
Saitama-shi, Kita-ku,  
Saitama 331-0821  
Japan  
Tel: +81 48 662 4911  
Fax: +81 48 662 4955

**Middle East, Turkey and Caspian Sea**  
ENERPAC Middle East FZE  
Office 423, JAFZA 15  
P.O. Box 18004  
Jebel Ali, Dubai  
United Arab Emirates  
Tel: +971 (0)4 8872686  
Fax: +971 (0)4 8872687

**Russia and CIS (excl. Caspian Sea Countries)**  
Actuant LLC  
Admiral Makarov Street 8  
125212 Moscow, Russia  
Tel: +7-495-9809091  
Fax: +7-495-9809092

**Singapore**  
Actuant Asia Pte. Ltd.  
37C, Benoi Road Pioneer Lot,  
Singapore 627795  
Tel: +65 64 84 5108  
+65 64 84 3737  
Fax: +65 64 84 5669  
**Toll Free: +1800 363 7722**  
**Technical Inquiries:**  
techsupport@enerpac.com.sg

**South Korea**  
Actuant Korea Ltd.  
3Ba 717,  
Shihwa Industrial Complex  
Jungwang-Dong, Shihung-Shi,  
Kyunggi-Do  
Republic of Korea 429-450  
Tel: +82 31 434 4506  
Fax: +82 31 434 4507

✦ internet: www.enerpac.com

**Spain and Portugal**  
ENERPAC  
C/San José Artesano 8  
Pol. Ind.  
28108 Alcobendas  
(Madrid) Spain  
Tel: +34 91 661 11 25  
Fax: +34 91 661 47 89

**The Netherlands, Belgium, Luxembourg, Sweden, Denmark, Norway, Finland and Baltic States**  
ENERPAC B.V.  
Galvanistraat 115, 6716 AE Ede  
P.O. Box 8097, 6710 AB Ede  
The Netherlands  
Tel: +31 318 535 911  
Fax: +31 318 525 613  
+31 318 535 848

**Technical Inquiries Europe:**  
techsupport.europe@enerpac.com

**United Kingdom, Ireland**  
Enerpac Ltd  
Bentley Road South  
Darlaston, West Midlands  
WS10 8LQ, United Kingdom  
Tel: +44 (0)121 50 50 787  
Fax: +44 (0)121 50 50 799

**USA, Latin America and Caribbean**  
ENERPAC  
P.O. Box 3241  
6100 N. Baker Road  
Milwaukee, WI 53209 USA  
Tel: +1 262 781 6600  
Fax: +1 262 783 9562

**User inquiries:**  
+1 800 433 2766  
**Inquiries/orders:**  
+1 800 558 0530  
**Technical Inquiries:**  
techservices@enerpac.com

All Enerpac products are guaranteed against defects in workmanship and materials for as long as you own them. For your nearest authorized Enerpac Service Center, visit us at www.enerpac.com