



# Budenberg

Made in Britain

4, Gilchrist Road, Northbank Industrial Park, Irlam, Manchester, UK. M44 5AY.

Tel : +44 (0)161 777 7300

Email : sales@budenberg.co.uk

Fax : +44 (0)161 777 7399

Web : www.budenberg.co.uk

## Model: 95F 211

An impressive technical specification and wide range of standard features make this thermometer the optimum choice for a wide range of process and engineering applications.

Primarily designed for the harshest of environments the model MIS is especially suitable for places which are subject to high ambient temperatures ( due to its inbuilt temperature compensation ) and where long lengths of capillary tubing are required between the bulb and the gauge head.

Built to meet EN-837 the MIS is manufactured to compliment the Budenberg ranges of pressure gauges. We can also supply Gas filled and Bi-Metallic thermometers and are able to offer all types with Thermowells

### Size

100 mm (4") & 150mm (6")

### Mounting

Surface and Flush (Distance Reading)

### Case & Bezel

Duotone Grey finish

Optionally:

Stainless Steel, DMC\* or Vinyl coated Cast Iron (Weatherproof)

### Scale Ranges

-35 to 600 deg C

With a minimum range of 50 deg C

Single and dual scales are available

### Bulb Material

Carbon Steel

Optionally 316 Stainless Steel

### Over-temperature

Units can be built to withstand significant over range temperatures on request.

### Connection Sizes

3/4" BSP standard

1/2" or 1" BSP/NPT (Others available on request)

### Connection Material

Nickel Plated Brass

Stainless Steel available as an option

### Accuracy Class

CL:1 1.0% of FSD to BS EN 13190:2001.

### Bulb Diameter

14.3mm and 10.3mm as standard

Other non standard sizes available as an option

### Bulb Length

Varies with temperature range and diameter of dial.

## LIQUID EXPANSION THERMOMETER MERCURY IN STEEL



### Dial

White Anodised Aluminium marked in black finish

Single or dual scale

### Pointer

Stainless steel coloured black

Options: Set pointer available

### Movement

Brass

Fitted with oil impregnated sintered bronze bushes

Bi-metallic temperature compensator.

### Window

3mm Laminated Safety Glass (Standard)

Option: Acrylic Plastic Window

### Traceability

All instruments are individually calibrated and have an unique Serial Number printed on the dial. A Certificate of Conformity Traceable to National Standards is Supplied Free of Charge Full Calibration certificates available at extra charge.

### Distance Reading options

Capillaries can be supplied in Copper or Stainless Steel

optionally with PVC or nylon reinforced PVC covering.

Capillary lengths of up to 45m can be specified.

### Contacts and Switches

MIS thermometers can be provided with:

Model 134 Reed Switches

Model 144 Magnetic Assisted switches

Model 129 mercury switches

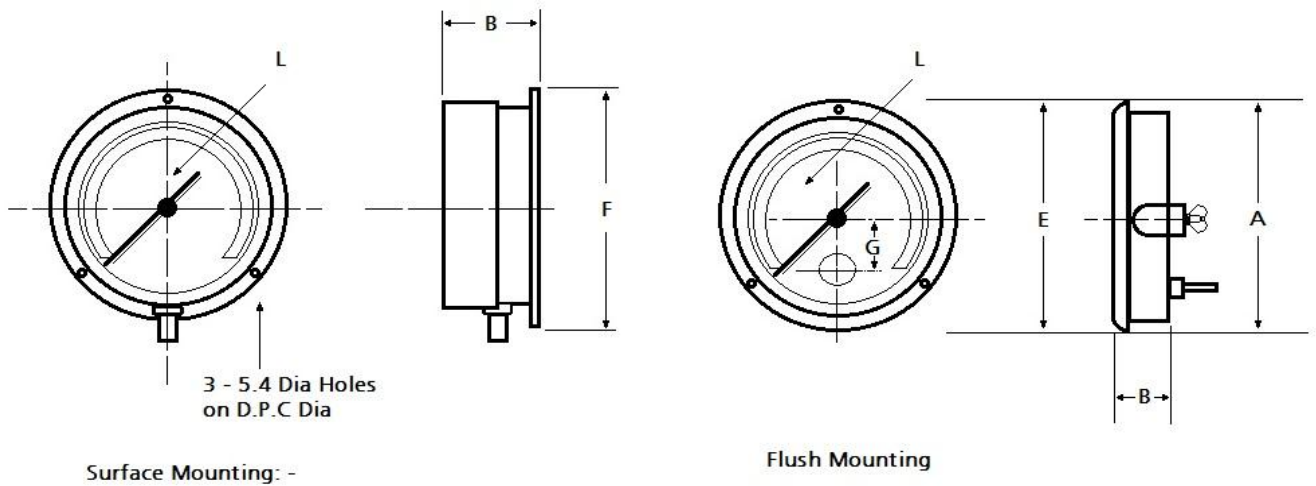
### Environmental Rating

IP55, IP66 specified with weatherproof cast iron case.

IP55, IP66 specified with weatherproof cast iron case.

**Dimensions**

**Model : MIS**



Model No	A	B	E	F	G	L
100mm Surface Mount		51		127		184
100mm Flush Mount	112	51	117		35	184
150mm Surface Mount		55		179		286
150mm Flush Mount	165	55	171		52	286
44F Weatherproof		66.5		215		410

Case & Mounting	Surface / Bottom Mounting	Flush Rear Mounting	100mm	150mm
Duotone Grey Finish	95F	211	■	■
DMC	95F			■
Stainless Steel	96F	212	■	■
DMC	95F			■

- Case : Stainless Steel, DMC or Weatherproof
- Bulb Matl: Stainless Steel
- Conn size: 1/2" or 1" BSP/NPT (Others on request)
- Bulb dia: non standard sizes available
- Switches: Single Reed or double magnetic & Mercury switches.
- Pointer : Set pointer

**Bulbs**

As standard the MIS thermometer is supplied with a type A bulb of fixed insertion length  
 Other bulb types are available to suit your application:  
 AS - Sliding gland, captive element  
 AR - Sliding gland, removable element  
 AP - Plain bulb, for fixing to outside of pipes. Can be fitted with a saddle clamp  
 E - Insulated bulb for use with machine bearings  
 Bulkhead mounting bulbs and bendable necks are available on request.

**Accessories**

A wide range of thermowell styles and materials are available - See separate datasheet for details.