



Capillary Thermostats for General Applications



measuring
•
monitoring
•
analysing

TEA-K



- Switching range:
-30 ... +30 °C ... +50 ... +120 °C
- Material:
Housing: plastic
Probe: copper



KOBOLD companies worldwide:

ARGENTINA, AUSTRIA, BELGIUM, BULGARIA, CANADA, CHILE, CHINA, COLUMBIA, CZECHIA, DOMINICAN REPUBLIC, EGYPT, FRANCE, GERMANY, GREAT BRITAIN, HUNGARY, INDIA, INDONESIA, ITALY, MALAYSIA, MEXICO, NETHERLANDS, PERU, POLAND, ROMANIA, SINGAPORE, SOUTH KOREA, SPAIN, SWITZERLAND, TAIWAN, THAILAND, TUNISIA, TURKEY, USA, VIETNAM

KOBOLD Messring GmbH
Nordring 22-24
D-65719 Hofheim/Ts.
Head Office:
+49(0)6192 299-0
+49(0)6192 23398
info.de@kobold.com
www.kobold.com

Description

The capillary thermostats are fitted with liquid-filled probes made of copper that act as temperature-dependant pressure probes. A change in temperature causes a pressure change in the probe, which is transferred to a switch by a bellows system. Probe and bellows system are connected with a copper capillary. A compression spring acts as a counteracting force. The switching values are set by changing the initial stress of the compression spring with a setpoint spindle.

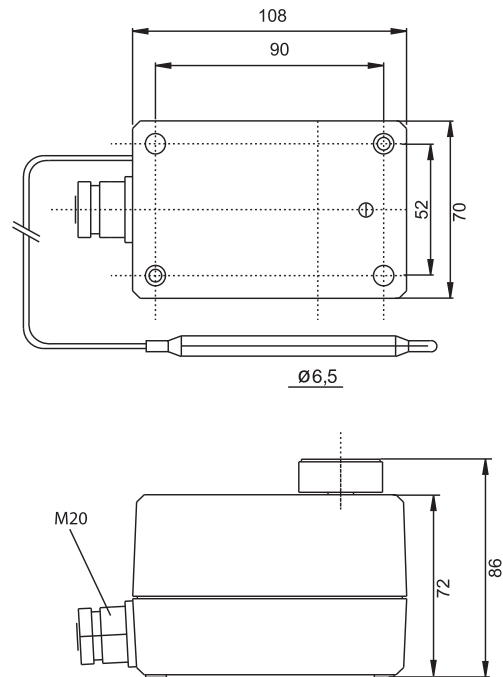
Capillary tube thermostats single contact



Technical Details

- Material:
- Housing: impact-resistant plastic
 - Probe: copper, liquid-filled
 - Capillary tube: copper
- Contact operation: single-pole, floating changeover contact, dust proof
- Hysteresis: 2-20 K adjustable
- Switching capacity: 24 - 250 V_{AC},
15 A at 250 V_{AC}
8 A at 250 V_{AC} inductive
- Ambient temperature: max. 55 °C
- Protection: IP 65

Dimensions



Applications

- Monitoring and control of liquids and gases
- Heating, ventilation, air conditioning technology
- Mechanical engineering and vessel manufacturing

Order Details (Example: TEA-K 3133 1 0)

Setting range	Max. probe temperature	Hysteresis adjustable	Order number	Length of capillary tube	Option
-30...+30 °C	60 °C	2-20 K	TEA-K 3133...	..1.. = 1,5 m	..0 = without ..A = full internal adjustment
0...+60 °C	75 °C		TEA-K 3106... ¹⁾		
+20...+90 °C	100 °C		TEA-K 3129...		
+50...+120 °C	150 °C		TEA-K 3112... ¹⁾		

¹⁾ only available with option '0' (no full-internal adjustment available)