



## Ball Valve Shut-Off for Measuring Device\*

for sensors with screw thread G ¼ and G ½



measuring  
•  
monitoring  
•  
analysing

### KUG-S



- $p_{\max}$ : PN25;  $t_{\max}$ : 120 °C
- Connections: Rp ½ ... Rp 2
- Sensor thread:  
G ¼ and G ½ acc. to DIN 3852
- Sensor replacement possible without draining the piping
- No other ball valve required
- Integrated sensor mounting – the shut-off and the sensor are all in one unit
- Space-saving compact design

\*Supplied without sensor



Z1

KOBOLD companies worldwide:

ARGENTINA, AUSTRIA, BELGIUM, BULGARIA, CANADA, CHILE, CHINA, COLOMBIA, CZECHIA, EGYPT, FRANCE, GERMANY, GREAT BRITAIN, HUNGARY, INDIA, INDONESIA, ITALY, MALAYSIA, MEXICO, NETHERLANDS, PERU, POLAND, REPUBLIC OF KOREA, ROMANIA, SINGAPORE, SPAIN, SWITZERLAND, TAIWAN, THAILAND, TUNISIA, TURKEY, USA, VIETNAM

KOBOLD Messring GmbH  
Nordring 22-24  
D-65719 Hofheim/Ts.  
Head Office:  
+49(0)6192 299-0  
+49(0)6192 23398  
info.de@kobold.com  
www.kobold.com

**Application**

When used in conjunction with our KUG-S ball valve shut-offs for measuring devices, KOBOLD sensors for measuring such variables as pressure, temperature or flow can be installed as part of a compact unit in pipe systems. This system allows easy and economical sensor removal for maintenance or replacement without having to drain the pipe system.

This shut-off valve features a large ball with a groove that holds the sensor. This design allows sensors of the same length to be installed in valves of different nominal diameters.

**Design**

Threaded construction with full-bore.

**Technical Details**

Process connections: female thread Rp ½ ... Rp 2 (DIN 2999)  
 Sensor thread: G ¼ and G ½ (DIN 3852)  
 Temperature range: max. +120 °C  
 Nominal pressure: PN25  
 Operation: 90° rotation of handle

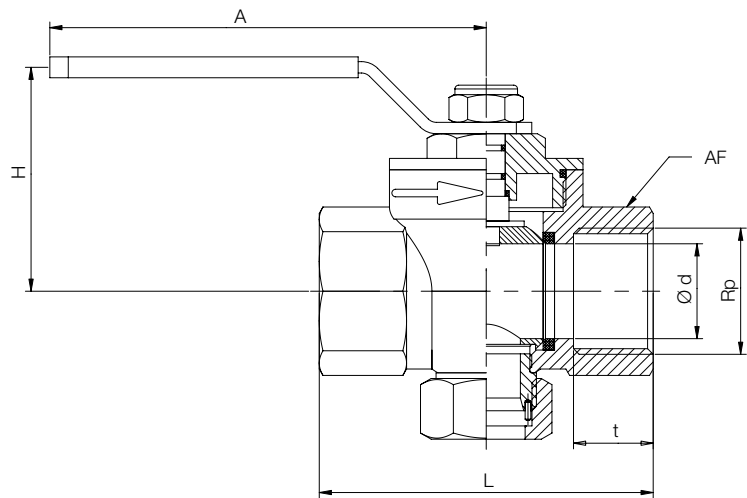
**Materials**

Body: brass, nickel-plated  
 Ball: brass, chrome-plated  
 Ball gasket: PTFE, pure  
 Spindle gasket: EPDM  
 Handle: steel, zinc-coated with PVC-grip

**Scope of supply**

Shut-off for measuring device, sealing plug and gasket

**KUG-S**



**Dimensions and Order Details** (example: KUG-S1R 15)

Screw thread [Rp]	Order no. sensor G ¼	Order no. sensor G ½	DN [mm]	Ø d [mm]	L [mm]	t [mm]	H [mm]	AF [mm]	A [mm]
½	KUG-S1R 15	KUG-S2R 15*	15	20	90	18	50	32	95
¾	KUG-S1R 20	KUG-S2R 20	20	20	73	18	50	32	95
1	KUG-S1R 25	KUG-S2R 25	25	25	88	21	59	41	115
1¼	-	KUG-S2R 32	32	32	100	24	65	50	115
1½	-	KUG-S2R 40	40	40	110	24	77	54	150
2	-	KUG-S2R 50	50	50	131	28	85	70	150

\* equal to KUG-S2R20 with reducer to Rp ½