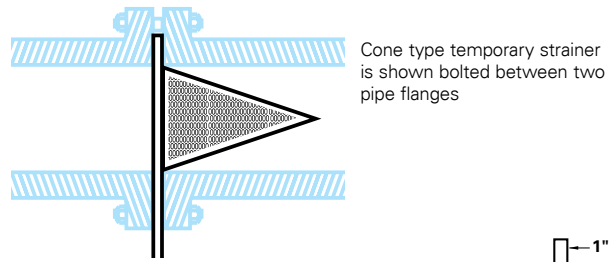


Temporary Strainers

- 2" to 24"
- Flanged
- Stainless Steel or Monel



FEATURES

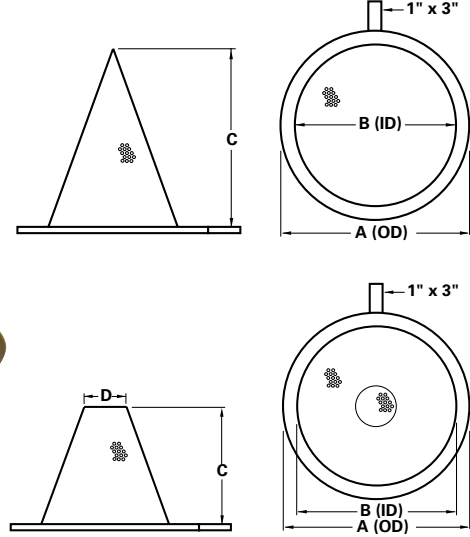
- ANSI Classes 150, 300, and 600
- Perforations from 1/32" to 1/2" diameter
- Mesh Liners of 20, 40, 60, 80, and 100 (best with basket type strainers)
- Stainless steel or Monel construction

OPTIONS

- Alloy construction, RTJ-style connections

DESIGNED FOR USE IN

- New pipeline start-up service
- Line flushing after any modification work



Dimensions (in) Model 92 Cone Type

Pipe Size	A Class 150	A Class 300	A Class 600	B	C
2	3.88	3.88	4.13	1.75	6.0
2-1/2	4.63	4.63	4.88	2.25	7.0
3	5.13	5.13	5.63	2.75	9.0
4	6.63	6.63	6.88	3.50	12.0
5	7.50	7.50	9.25	4.63	14.0
6	8.50	8.50	10.25	5.50	17.0
8	10.75	10.75	12.38	7.13	23.0
10	12.13	13.13	15.50	9.00	27.0
12	15.88	15.88	17.38	10.88	32.0
14	17.50	17.50	19.13	12.63	33.0
16	20.00	20.00	22.00	14.50	39.0
18	21.38	21.38	23.88	16.38	44.0
20	23.63	23.63	26.63	18.38	49.0
24	28.00	28.00	30.88	20.38	58.0

Dimensions (in) Model 92 Basket Type

Pipe Size	A Class 150	A Class 300	A Class 600	B	C	D
2	3.88	3.88	4.13	1.75	3.5	1.0
2-1/2	4.63	4.63	4.88	2.25	4.0	1.0
3	5.13	5.13	5.63	2.75	4.5	1.0
4	6.63	6.63	6.88	3.50	6.0	2.0
5	7.50	7.50	9.25	4.63	7.5	2.0
6	8.50	8.50	10.25	5.50	9.0	2.0
8	10.75	10.75	12.38	7.13	12.0	2.0
10	13.13	13.13	15.50	9.00	14.0	3.0
12	15.88	15.88	17.38	10.88	16.5	3.0
14	17.50	17.50	19.13	12.63	17.0	4.0
16	20.00	20.00	22.00	14.50	19.0	4.0
18	21.38	21.38	23.88	16.38	21.0	6.0
20	23.63	23.63	26.63	18.38	24.0	6.0
24	28.00	28.00	30.88	22.38	28.0	10.0

Eaton
North America – HQ
 70 Wood Avenue, South
 2nd Floor
 Iselin, NJ 08830

Toll Free: (800) 656-3344
 (North America only)

Voice: (732) 767-4200
 Fax: (952) 906-3706

Eaton Brazil
 Voice: +55 (11) 2465-8822

Eaton China
 Voice: (86-21) 5866 6161-8000

Eaton Europe/Africa/Middle East
 Voice: +49-2486-809-0

Eaton Singapore
 Voice: +65 68251668

©2011 Eaton Corporation. All Rights Reserved. All trademarks and registered trademarks are the property of their respective owners. Litho USA. All information and recommendations appearing in this brochure concerning the use of products described herein are based on tests believed to be reliable. However, it is the user's responsibility to determine the suitability for his own use of such products. Since the actual use by others is beyond our control, no guarantee, expressed or implied, is made by Eaton as to the effects of such use or the results to be obtained. Eaton assumes no liability arising out of the use by others of such products. Nor is the information herein to be construed as absolutely complete, since additional information may be necessary or desirable when particular or exceptional conditions or circumstances exist or because of applicable laws or government regulations.

For more information, e-mail us at filtration@eaton.com, or call 732-767-4200.

Visit us online at filtration.eaton.com for a complete list of Eaton's filtration products.