

MODULINE™ Multi-Bag Filter Housing System



*Modular system for
continuous flow capability,
higher efficiency and
lower costs*

Eaton's MODULINE multi-bag filter housing systems are double or modular multi-bag units designed for applications where the flow rate is too high for a single bag filter housing.

This multi-bag filter housing system provides a compact and efficient assembly of two up to eight single bag filter housings. Its space-saving design can be readily expanded with additional housing units and extra banks to provide the highest level of flexibility for process requirements. The footprint is smaller than duplexed multi-bag filter housings. Units come standard with filter bag size 02 stainless steel restrainer baskets.

Features

- Can be equipped with the SIDELINE™ single bag filter housing for a range of applications or the most advanced TOPLINE™ single bag filter housing

- System arrangement assures continuous flow rates. Each unit is individually valved and can be taken off-line in sequence for filter bag change-outs without having to take the complete bank of filters off-line
- Swing bolt cover for quick, easy filter bag change-outs. The TOPLINE single bag filter housing features a domed cover. SIDELINE single bag filter housings covers' feature an integrated ergonomic handle
- TOPLINE and SIDELINE models are designed in accordance with "AD 2000-Merkblätter", EN 13445 and PED

- Easy-action, 1/4-turn ball valves provide precision flow control
- Smooth, bead-blasted finish makes it easy to completely clean the interior

Options

- Available in stainless steel for high corrosion resistance
- Buna-N® O-rings for the cover are standard. EPDM, Viton®, PTFE encapsulated Viton or silicone rubber seals and gaskets are available
- Optional gauges, vents and pressurize air port with 1/4" threaded cover taps

Viton® is a registered trademark of E. I. du Pont de Nemours and company.

EATON

Powering Business Worldwide

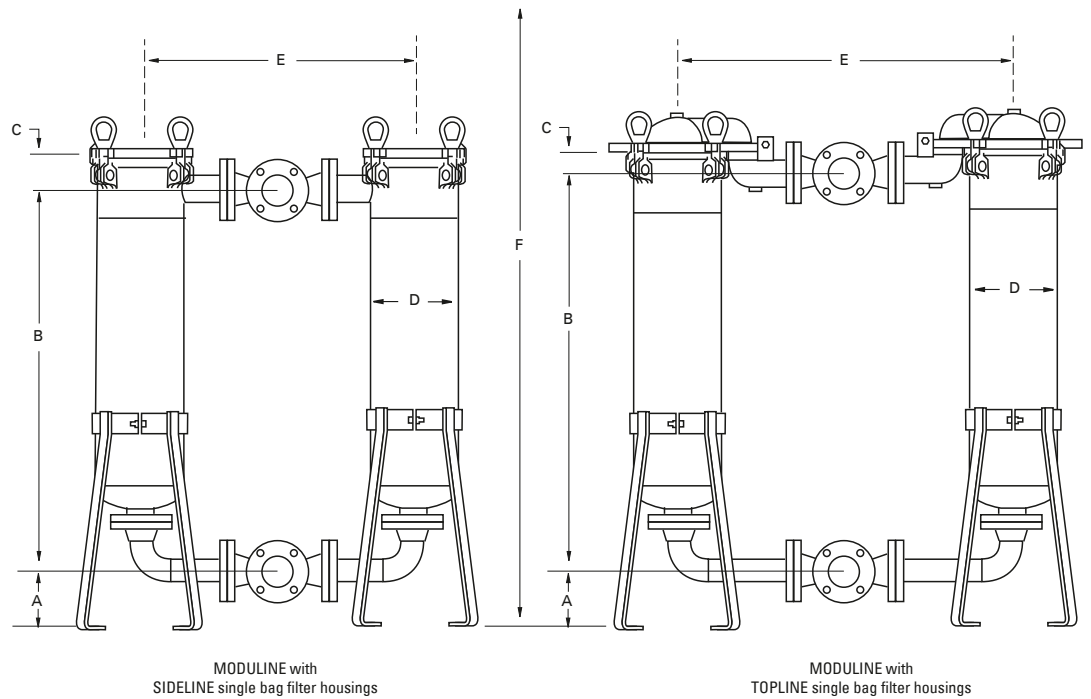
MODULINE Multi-Bag Filter Housing System

Applications

Coarse filtration > 500 µm ✓
 Medium filtration > 10 µm ✓
 Fine filtration < 10 µm

Pre-filtration ✓
 Safety filtration ✓
 High volume ✓
 Batch filtration
 Circuit filtration
 Continuous filtration ✓

Solvents, paints ✓
 Fats and oils ✓
 Catalyst, activated carbon
 Acids, bases
 Petrochemicals ✓
 Water, waste water ✓
 Chemical industry ✓
 Pharmaceuticals
 Metal cleaning ✓
 Automotive ✓
 Electronics
 Food and beverage
 Paint and lacquer
 Water treatment ✓
 Galvanic industry



Dimensions - mm

| Models | A | B | C | D | E | F |
|------------|-----|------|----|-----|-----|------|
| M-TBF-0201 | 330 | 518 | 49 | 219 | 834 | 1360 |
| M-TBF-0202 | 330 | 913 | 49 | 219 | 834 | 2140 |
| M-SBF-0201 | 330 | 618 | 80 | 219 | 660 | 1500 |
| M-SBF-0202 | 330 | 1013 | 80 | 219 | 660 | 2270 |

Dimensions for reference only and approximate. Exact dimensions for installation purposes available on request.

Technical data

| Models | No. of filter bags | Size | Flow rate ¹ m ³ /h | Max. pressure bar | Max. temp. °C | Housing volume l | Housing weight kg | I/O connections |
|------------|--------------------|------|--|-------------------|---------------|------------------|-------------------|--------------------------|
| M-TBF-0201 | 2 | 1 | 40 | 10 | 160 | 30 | 127 | DN 80 PN 16 (DIN flange) |
| M-TBF-0202 | 2 | 2 | 80 | 10 | 160 | 60 | 139 | DN 80 PN 16 (DIN flange) |
| M-SBF-0201 | 2 | 1 | 40 | 10 | 160 | 36 | 131 | DN 80 PN 16 (DIN flange) |
| M-SBF-0202 | 2 | 2 | 80 | 10 | 160 | 64 | 147 | DN 80 PN 16 (DIN flange) |

¹ Maximum theoretical flow based on water viscosity, filter bag specific.

North America
 44 Apple Street
 Tinton Falls, NJ 07724
 Toll Free: 800 656-3344
 (North America only)
 Tel: +1 732 212-4700

Europe/Africa/Middle East
 Auf der Heide 2
 53947 Nettersheim, Germany
 Tel: +49 2486 809-0

Friedensstraße 41
 68804 Altlussheim, Germany
 Tel: +49 6205 2094-0
 An den Nahewiesen 24
 55450 Langenlonsheim, Germany
 Tel: +49 6704 204-0

China
 No. 3, Lane 280,
 Linhong Road
 Changning District, 200335
 Shanghai, P.R. China
 Tel: +86 21 5200-0099

Singapore
 4 Loyang Lane #04-01/02
 Singapore 508914
 Tel: +65 6825-1668

Brazil
 Rua Clark, 2061 - Macuco
 13279-400 - Valinhos, Brazil
 Tel: +55 11 3616-8400

For more information, please
 email us at filtration@eaton.com
 or visit www.eaton.com/filtration

© 2017 Eaton. All rights reserved. All trademarks and registered trademarks are the property of their respective owners. All information and recommendations appearing in this brochure concerning the use of products described herein are based on tests believed to be reliable. However, it is the user's responsibility to determine the suitability for his own use of such products. Since the actual use by others is beyond our control, no guarantee, expressed or implied, is made by Eaton as to the effects of such use or the results to be obtained. Eaton assumes no liability arising out of the use by others of such products. Nor is the information herein to be construed as absolutely complete, since additional information may be necessary or desirable when particular or exceptional conditions or circumstances exist or because of applicable laws or government regulations.

EN
 EF-FBH-16
 03-2017

