

# Soft Start Fittings

These fittings protect your system by preventing sudden shocks. On start-up, they control the **pressure increase** in the downstream circuit; this helps **prevent the risk** of industrial accidents.

## Product Advantages

### Protection of Equipment & Personnel

Prevents the risk of damage after any stoppage which requires the system to be vented  
Returns the control valve to its initial position in total safety  
Adjustment of the pressurisation speed  
Protects the adjustment mechanism using a recessed adjustment screw

### Mounted on FRL

Models 7860 and 7861: yellow identification washer  
Protection for the whole system  
Simultaneous pressurisation speed of the whole system

### Mounted on Control Valve

Models 7870 and 7871: black identification washer  
Protection of individual circuits  
Mounted on the control valve, it optimises the pressurisation speed of a specific cylinder



Pneumatic Systems  
Robotics  
Textile  
Semi-Conductors  
Packaging  
Pneumatics

**Applications**

## Technical Characteristics

<b>Compatible Fluids</b>	Compressed air
<b>Working Pressure</b>	3 to 10 bar
<b>Working Temperature</b>	-15°C to +60°C

Max. Tightening Torques	Threads	daN.m
	G1/4	1.3
G3/8	1.5	
G1/2	1.8	

Flow Characteristics	Model	Flow at 6 bar	Kv
	7860 08 13	1500 NI/min	0.80
7860 10 13	2100 NI/min	1.20	
7860 10 17	2200 NI/min	1.30	
7860 12 17	3100 NI/min	1.00	
7860 12 21	3100 NI/min	1.00	
7861 13 13	2100 NI/min	1.20	
7861 17 17	3100 NI/min	1.00	
7861 21 21	3100 NI/min	1.00	
7870 08 13	1500 NI/min	0.80	
7870 10 13	2000 NI/min	1.15	
7870 10 17	2000 NI/min	1.15	
7871 13 13	2000 NI/min	1.15	
7871 17 17	2000 NI/min	1.15	

### Component Materials

Internal seal: NBR

Screw: nickel-plated brass

Washer: technical polymer

Body: technical polymer or nickel-plated brass



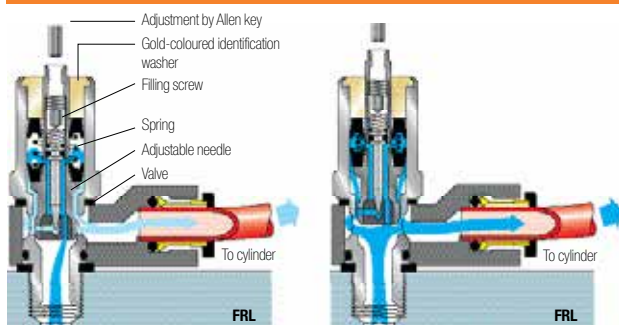
**Silicone-free**

### Regulations

DI: 2002/95/CE (RoHS)  
RG: 1907/2006 (REACH)  
DI: 97/23/CE (PED)

## Operation

### Filter, Regulator, Lubricator



### Control Valve

