

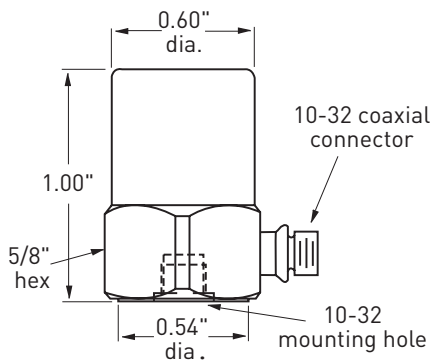
Small size piezoelectric accelerometers

726 and 726T

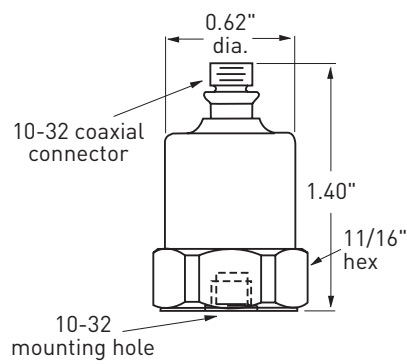


Key features

- Wide frequency range
- Low noise floor
- Hermetically designed
- Temperature compensated
- Wide dynamic range
- Small size, lightweight
- Reverse wiring protection



Model 726



Model 726T

Note: Due to continuous process improvement, specifications are subject to change without notice.
This document is cleared for public release.

Wilcoxon Sensing Technologies
20511 Seneca Meadows Parkway
Germantown, MD 20876
info@wilcoxon.com

Tel: (301) 330 8811
Fax: (301) 330 8873
www.wilcoxon.com

Wilcoxon Sensing Technologies
An Amphenol Company

Small size piezoelectric accelerometers

726 and 726T

SPECIFICATIONS

Sensitivity, $\pm 5\%$, 25° C	100 mV/g
Acceleration range	80 g peak
Amplitude nonlinearity	1%
Frequency response:	
$\pm 5\%$	2.0 - 10,000 Hz
$\pm 10\%$	1.0 - 12,000 Hz
± 3 dB	0.6 - 15,000 Hz
Resonance frequency, mounted, nominal	32 kHz
Transverse sensitivity, max	5% of axial
Temperature response:	
-50° C	-10%
+120° C	+5%
Power requirement:	
Voltage source	18 - 30 VDC
Current regulating diode	2 - 10 mA
Electrical noise, equiv g, nominal:	
Broadband 2.5 Hz to 25 kHz	60 μ g
Spectral 10 Hz	8.0 μ g/ $\sqrt{\text{Hz}}$
100 Hz	0.8 μ g/ $\sqrt{\text{Hz}}$
1,000 Hz	0.3 μ g/ $\sqrt{\text{Hz}}$
10,000 Hz	0.2 μ g/ $\sqrt{\text{Hz}}$
Output impedance, max	100 Ω
Bias output voltage, nominal	12 VDC
Grounding:	
726 (side connector)	case grounded
726T (top connector)	base isolated
Temperature range	-50 to +120° C
Vibration limit	500 g peak
Shock limit	5,000 g peak
Electromagnetic sensitivity at 60 Hz	40 μ g/gauss
Base strain sensitivity	0.002 g/ μ strain
Weight:	
726	30 grams
726T	34 grams
Case material	316L stainless steel
Mounting	10-32 tapped hole
Output connector	10-32 coaxial
Mating connector	R1
Recommended cabling	J93

Note: Due to continuous process improvement, specifications are subject to change without notice.
This document is cleared for public release.

Wilcoxon Sensing Technologies
20511 Seneca Meadows Parkway
Germantown, MD 20876
info@wilcoxon.com

Tel: (301) 330 8811
Fax: (301) 330 8873
www.wilcoxon.com

Contact

Wilcoxon Sensing
Technologies

20511 Seneca Meadows Parkway
Germantown MD 20876, USA

Tel: +1 301 330 8811
Fax: +1 301 330 8873

info@wilcoxon.com

www.wilcoxon.com

Accessories supplied:

- Calibration data (level 3)
- SF1 mounting stud

Accessories available: R1-2-J93-10 cable assembly, magnetic mounting bases, SF5 cementing studs, SF4 isolation mounting bases, power supplies, amplifiers, signal conditioners