



## Paddle Bellows Flow Monitor for air



measuring  
•  
monitoring  
•  
analysing

LPS



- Switching range:  
1 ... 8 m/s (switching off)  
2.5 ... 9.2 m/s (switching on)
- $t_{max}$ : 85 °C
- Connection:  
connection plate (102 x 77 mm)
- Material:  
brass (lever),  
stainless steel (paddle)



3

KOBOLD companies worldwide:

ARGENTINA, AUSTRALIA, AUSTRIA, BELGIUM, BULGARIA, CANADA, CHILE, CHINA, COLOMBIA, CZECHIA, EGYPT, FRANCE, GERMANY, GREAT BRITAIN, HUNGARY, INDIA, INDONESIA, ITALY, MALAYSIA, MEXICO, NETHERLANDS, PERU, POLAND, REPUBLIC OF KOREA, ROMANIA, SINGAPORE, SPAIN, SWITZERLAND, TAIWAN, THAILAND, TUNISIA, TURKEY, USA, VIETNAM

KOBOLD Messring GmbH  
Nordring 22-24  
D-65719 Hofheim/Ts.  
Head Office:  
+49(0)6192 299-0  
+49(0)6192 23398  
info.de@kobold.com  
www.kobold.com

### Description

The monitored air stream acts on the paddle and over a mechanism actuates the dust-proof microswitch that signals whether the set min. or max. volume of air flows. The KOBOLD flow monitor is suited for universal application as the switch/ signalling point can be finely adjusted over a broad range.

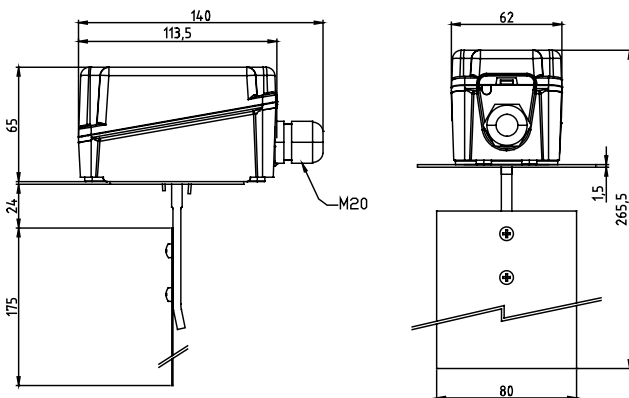
### Applications

- In air ducts in air conditioning systems
- In air discharge and exhaust gas channels
- In pneumatic conveyors
- On filters
- On cyclones
- On cooling and drying plant
- Ventilator/blower performance monitoring

### Setting

The device is set to 1 m/s at the factory. The switch-off value can be set higher by rotating the range screw. The paddle should be cut at the marking if required (>5 m/s air speed). Thus the min. switch-off value is increased to 2.5 m/s and the min. switch-on value to 4 m/s.

### Dimensions [mm]



### Technical Details

- Switch-off values: min. 1.0 m/s  
max. 8.0 m/s
- Switch-on values: min. 2.5 m/s  
max. 9.2 m/s
- Differential gap:  $\geq 1$  m/s
- Mounting position: vertical, in horizontal air ducts
- Inlet and outlet pipe sections: fivefold pipe cross-section upstream and downstream of the vane
- Temperature: max. 85 °C (medium and environment)
- Protection: IP 65 (from outside the channel)

### Materials

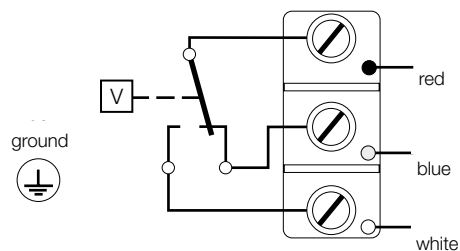
- Paddle: 0.2 mm stainless steel material no. 1.4301
- Lever: brass Ms 58
- Gehäuse: ABS, glass-fibre-reinforced mounting plate zinc-plated
- Connection plate: steel zinc-plated
- Flat gasket: Flexoid

### Electrical details

- Dust-proof microswitch as single-pole changeover contact
- Switching voltage: max. 24 - 250 V<sub>AC</sub>
- Switching current: max. 8 A (for inductive load)  
max. 15 A (for resistive load)
- Air temperature: max. 85 °C

### Electrical connection

RED-WHITE opens with decreasing speed  
RED-BLUE closes with increasing speed



### Order Details (Example: LPS-1100P)

Description	Order number
Air-flow indicator	LPS-1100P