

(4) 3/4" ϕ [19.0] BOLT HOLES
LOCATED AS SHOWN
ON 26.13 ϕ [664 ϕ] B.C.

SECTION B-B

ITEM	PART NAME	MATERIAL
1	BODY	SA516 GR 70
2	COVER	SA516 GR 70
3	O-RING	BUNA-N
4	PIN	SA193 B7 ZINC PL
5	SNAP RING	STEEL ZINC PL
6	BASKET RESTRAINER	316 SS
7	FILTER BAG RETAINER	316 SS
8	EYE BOLT	SA193 B7 ZINC PL
9	HEX NUT	SA194 2H ZINC PL
10	WASHER	STEEL ZINC PL
11	DAVIT ASSEMBLY	CARBON STEEL

NOTES:

1. UNITS ARE TO BE DESIGNED, FABRICATED & "U" STAMPED IN ACCORDANCE WITH ASME SECT. VIII, DIV. 1 BOILER & PRESSURE VESSEL CODE, IN COMPLIANCE TO LATEST ADDENDA.
2. INLET / OUTLET FLANGE CONNECTIONS PER ANSI B 16.5.
3. DESIGN PRESSURE: 150 PSI (MAWP)
DESIGN TEMPERATURE 250° F.
MDMT - -20° F @ 150 PSI.
4. ALL DIMENSIONS ARE IN INCHES / (MM).
5. ALL BOLT HOLES ARE TO STRADDLE NATURAL CENTERLINES.
6. APPROX. WEIGHT (DRY) 655 LB. (297 KG.)
7. PAINT C/STL. PER HAYWARD STANDARD ES-301.

CERTIFIED FOR:

P.O. NO.:
REG. NO.:
QUOTE NO.:
TAG NO.:
VESSEL CODE: MBF-0802-CS10-080A-UT-11HD
PART NUMBER: F3AV08000004

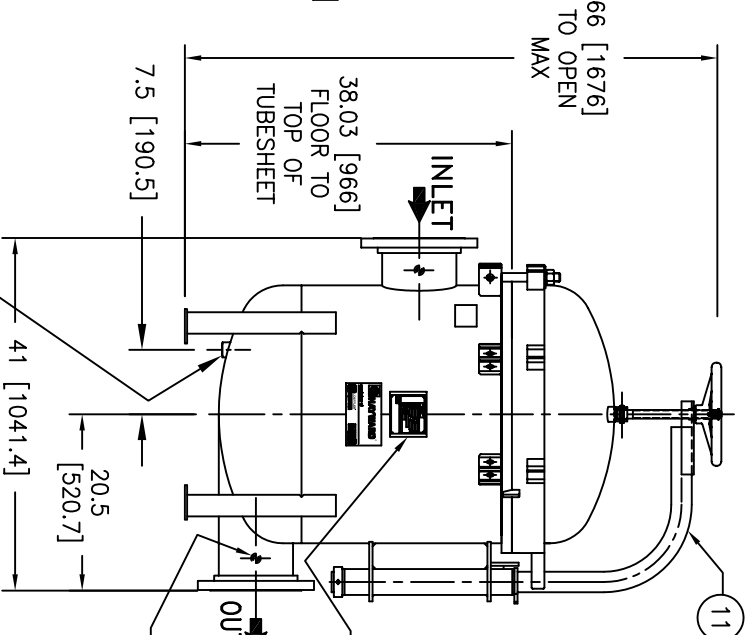
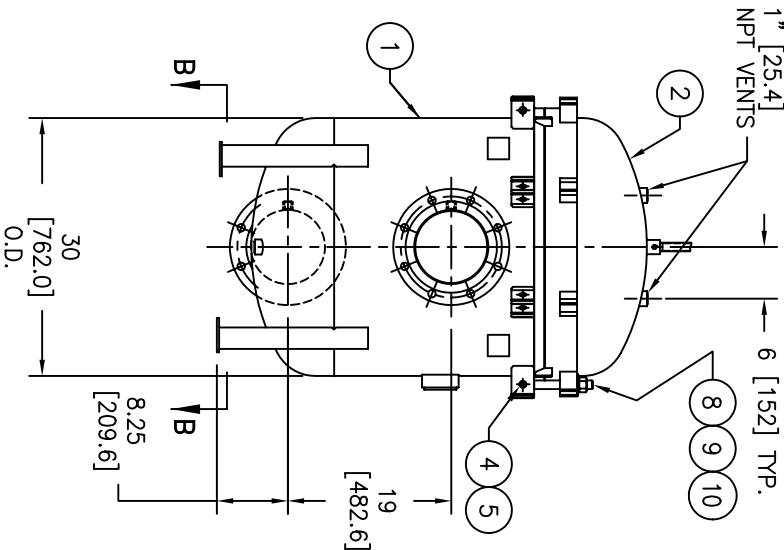
EATON FILTRATION, LLC

900 FAIRMOUNT AVENUE, ELIZABETH, NEW JERSEY 07207
NAME: MAXILINE MBF0802HD FILTER VESSEL
8" 150# RF INLET / TANGENTIAL OUTLET
CARBON STEEL



DRAWN	SD	DATE	CERT.	LF	DATE	REV
		11/27/00			1/3/01	F

SIZE DWG NO. **A**
HD080808TC



ELECTRONIC FILE NAME: HD080808TC.DWG
REF. ECR D666 DATE 01/19/06

UNAUTHORIZED USE, MANUFACTURE OR REPRODUCTION IN WHOLE OR IN PART IS PROHIBITED. DRAWING, DESIGN AND OTHER DISCLOSURES PROPERTY OF EATON FILTRATION, LLC