

Differential pressure gauge with switch contacts

For the process industry, all-metal media chamber

Models DPGS43.100, DPGS43.160

WIKA data sheet PV 27.05



for further approvals see page 9

switchGAUGE

Applications

- Control and regulation of processes
- Monitoring of plants and switching of circuits
- For measuring points with increased differential overpressure
- Filter and pump monitoring
- Level measurement on closed vessels

Special features

- Differential pressure measuring ranges from 0 ... 16 mbar
- High working pressure (static pressure) and high overload safety up to 40 bar
- Also available with liquid-filled case for high dynamic pressure loads or vibrations
- Instruments with inductive contacts for use in hazardous areas
- Instruments with switch contact for PLC applications



Differential pressure gauge model DPGS43.100 with switch contact model 831.2

Description

Wherever the process pressure has to be indicated locally and, at the same time, circuits need to be switched, the model DPGS43.1x0 switchGAUGE finds its use.

Switch contacts (electrical alarm contacts) make or break circuits dependent upon the pointer position of the pressure gauge. The switch contacts are adjustable over the full extent of the scale range (see DIN 16085), and are mounted predominantly below the dial, though also partly on top of the dial. The instrument pointer (actual value pointer) moves freely across the entire scale range, independent of the setting.

The set pointer can be adjusted using a removable adjustment key in the window.

Switch contacts consisting of several contacts can also be set to a single set point. Contact actuation is made when the actual value pointer travels beyond or below the desired set point.

The differential pressure gauge is manufactured in accordance with DIN 16085 and fulfils all requirements of the relevant standards (EN 837-3) and regulations for the on-site display of the working pressure of pressure vessels. As switch contacts, magnetic snap-action contacts, reed switches, inductive contacts and electronic contacts are available. Inductive contacts can be used in hazardous areas. For triggering programmable logic controllers (PLC), electronic contacts and reed switches can be used.

Specifications

Models DPGS43.100, DPGS43.160	
Version	Process connections lower mount or lateral (option), highly corrosion-resistant solid metal design, measuring cell protected against unauthorised access. Overload resistance per EN 837-3
Nominal size in mm	<ul style="list-style-type: none"> ■ 100 ■ 160
Accuracy class	1.6 Option: 1.0 on request
Scale ranges	0 ... 16 mbar to 0 ... 250 mbar 0 ... 400 mbar to 0 ... 40 bar other units (e.g. psi, kPa) available or all other equivalent vacuum or combined pressure and vacuum ranges
Scale	Single scale Option: <ul style="list-style-type: none"> ■ Dual scale ■ Scale layout (e.g. linear pressure or square root incrementation)
Pressure limitation	
Steady	Full scale value
Fluctuating	0.9 x full scale value Observe the recommendations for the use of mechanical pressure measuring systems in accordance with EN 837-2
Overpressure safety and max. working pressure (static pressure)	see table on page 3
Connection location	Lower mount (radial) Option: lateral (right, left, front or back)
Process connection	<ul style="list-style-type: none"> ■ G ¼ B female ■ G ½ B male ■ ½ NPT male Other process connections via female or male threads on request
Permissible temperature ¹⁾	
Medium	-20 ... +100 °C Option: Medium temperature > 100 °C on request
Ambient	-20 ... +60 °C (with window from polycarbonate max. 80 °C)
Temperature effect	When the temperature of the measuring system deviates from the reference temperature (+20 °C): max. ±0.5 %/10 K of full scale value
Case	<ul style="list-style-type: none"> ■ Version S1 per EN 837: With blow-out device in case back ■ Safety version S3 per EN 837: With solid baffle wall (Solidfront) and blow-out back
Case filling	Without Option: With case filling
Venting of the media chamber	With scale ranges ≤ 0.25 bar Option: With scale ranges ≥ 0.4 bar

¹⁾ For hazardous areas, the permissible temperature of the contact model 831 will exclusively apply (see page 5). These must not be exceeded at the instrument either (for details see operating instructions). If necessary, measures for cooling (e.g. syphon, instrumentation valve, etc.) have to be taken.

Models DPGS43.100, DPGS43.160

Wetted materials

Media chamber with process connection	Stainless steel 316Ti (1.4571) Lower mount 2 x G ¼ female
Pressure elements	≤ 0.25 bar: Stainless steel 316L > 0.25 bar: NiCr alloy (Inconel)
Venting of the media chamber	Stainless steel 316Ti (1.4571) for scale ranges ≤ 0.25 bar Option: with scale ranges ≥ 0.4 bar
Bellows	Stainless steel 316Ti (1.4571)

Non-wetted materials

Movement	Brass
Dial	Aluminium, white, black lettering
Pointer	Aluminium, black
Case	Stainless steel, with blow-out device
Window	Laminated safety glass
Ring	Bayonet ring, stainless steel

Ingress protection per IEC/EN 60529	IP54 ¹⁾ Option: IP65 with liquid filling
--	---

Installation	according to affixed symbols: ⊕ high pressure, ⊖ low pressure
---------------------	---

Mounting	<ul style="list-style-type: none"> ■ Rigid measuring lines ■ Mounting holes in measuring flange Option: <ul style="list-style-type: none"> ■ Panel mounting flange ■ Instrument mounting bracket for wall or pipe mounting
-----------------	--

Electrical connection	Cable socket PA 6, black Per VDE 0110 insulation group C/250 V Cable gland M20 x 1.5 Strain relief 6 screw terminals + PE for conductor cross-section 2.5 mm ² For dimensions see page 10 others on request
------------------------------	--

1) Ingress protection IP54 with safety version and lower back mount.

Overload safety and max. working pressure

Scale ranges	Overload safety in bar either side max.		Max. working pressure in bar (static pressure)	
	Standard	Option	Standard	Option
0 ... 16 to 0 ... 40 mbar	2.5	-	2.5	6 ²⁾
0 ... 60 to 0 ... 250 mbar	2.5	6	6	10
0 ... 400 mbar	4	40	25	40
0 ... 0.6 bar	6	40	25	40
0 ... 1 bar	10	40	25	40
0 ... 1.6 bar	16	40	25	40
0 ... 2.5 to 0 ... 25 bar	25	40	25	40

2) Accuracy class 2.5

Options

- Zero point adjustment appliance
- Restrictor in the pressure port

Switch contacts

Magnetic snap-action contact model 821

- No control unit and no supply voltage required
- Direct switching up to 250 V, 1 A
- Up to 4 switch contacts per measuring instrument

Inductive contact model 831

- Suitable for use in hazardous areas with corresponding control unit (model 904.xx)
- Long service life due to non-contact sensor
- Low influence on the indication accuracy
- Fail-safe switching at high switching frequency
- Insensitive to corrosion
- Also available in safety version
- Up to 3 switch contacts per measuring instrument

Electronic contact model 830 E

- For direct triggering of a programmable logic controller (PLC)
- 2-wire system (option: 3-wire system)
- Long service life due to non-contact sensor
- Low influence on the indication accuracy
- Fail-safe switching at high switching frequency
- Insensitive to corrosion
- Up to 3 switch contacts per measuring instrument

Other versions

- Contact model 821 with separate circuits
- Contact model 821 as change-over contact (break or make simultaneously at the set point)
- Contact model 821 with cable break monitoring (parallel resistance 47 k Ω and 100 k Ω)
- Contact materials for contact model 821: Platinum-iridium alloy and gold-silver alloy
- Contacts fixed, without contact adjustment lock
- Contact adjustment lock leaded
- Contact adjustment key fixed
- Connector (instead of cable socket)

Reed switch model 851

- No control unit and no supply voltage required
- Direct switching up to 250 V, 1 A
- For direct triggering of a programmable logic controller (PLC)
- Free from wear as without contact
- NS 100: Up to two change-over contacts per measuring instrument;
NS 160: Up to one change-over contact per measuring instrument (switching voltages AC < 50 V and DC < 75 V, switch contact not adjustable from outside)

Switching function

The switching function of the switch is indicated by index 1, 2 or 3

Model 8xx.1: Normally open (clockwise pointer motion)

Model 8xx.2: Normally closed (clockwise pointer motion)

Models 821.3 Change-over; one contact breaks and one and 851.3: contact makes simultaneously when pointer reaches set point

For further information on switch contacts, see data sheet AC 08.01

Specifications for instruments with magnetic snap-action contact model 821

Measuring span	Nominal size	Max. number of contacts	Switching current range I	Switch version ¹⁾
≤ 1.0 bar	100, 160	1	0.02 ... 0.3 A	L
> 1.0 bar	100, 160	1	0.02 ... 0.6 A	S
≤ 1.6 bar	100, 160	2	0.02 ... 0.3 A	L
> 1.6 bar	100, 160	2	0.02 ... 0.6 A	S
≤ 4.0 bar	100	4	0.02 ... 0.3 A	L
> 4.0 bar	100	4	0.02 ... 0.6 A	S
≤ 2.5 bar	160	4	0.02 ... 0.3 A	L
> 2.5 bar	160	4	0.02 ... 0.6 A	S

1) Design of the contact coil: Version "L" = light-weight, version "S" = heavy

The recommended setting range of the contacts is 25 ... 75 % of the scale (0 ... 100 % on request).

Contact material (standard): Silver-nickel, gold-plated

Setting the contacts

The recommended minimum clearance between 2 contacts is 20 % of the measuring span.

The switch hysteresis is 2 ... 5 % (typical).

Characteristics	Unfilled instruments		Filled instruments	
	Resistive load		Resistive load	
	Switch version "S"	Switch version "L"	Switch version "S"	Switch version "L"
Rated operating voltage U_{eff}	≤ 250 V		≤ 250 V	
Rated operating current				
Switch-on current	≤ 1.0 A	≤ 0.5 A	≤ 1.0 A	≤ 0.5 A
Switch-off current	≤ 1.0 A	≤ 0.5 A	≤ 1.0 A	≤ 0.5 A
Continuous current	≤ 0.6 A	≤ 0.3 A	≤ 0.6 A	≤ 0.3 A
Switching power	≤ 30 W / ≤ 50 VA		≤ 20 W / ≤ 20 VA	

Recommended contact load with resistive and inductive loads

Operating voltage	Unfilled instruments			Filled instruments		
	Resistive load		Inductive load	Resistive load		Inductive load
	Direct current	Alter-nating current	$\cos \varphi > 0.7$	Direct current	Alter-nating current	$\cos \varphi > 0.7$
DC 220 V / AC 230 V	100 mA	120 mA	65 mA	65 mA	90 mA	40 mA
DC 110 V / AC 110 V	200 mA	240 mA	130 mA	130 mA	180 mA	85 mA
DC 48 V / AC 48 V	300 mA	450 mA	200 mA	190 mA	330 mA	130 mA
DC 24 V / AC 24 V	400 mA	600 mA	250 mA	250 mA	450 mA	150 mA

Specifications for instruments with inductive contact model 831

Measuring span	Nominal size	Case version	Max. number of contacts
0.6 bar	100, 160	S1	1
0.6 bar	160	S3	1
1.0 bar	100, 160	S1	2
1.0 bar	100	S3	1
1.0 bar	160	S3	2
≥ 1.6 bar	100, 160	S1, S3	3

Legend:

S1 = Standard version, with blow-out device (per EN 837)

S3 = Safety version, Solidfront (per EN 837)

The recommended setting range of the contacts is 10 ... 90 % of the scale (0 ... 100 % on request).

Setting of contacts to identical set point

Up to 2 contacts can be set to an identical set point. For a version with 3 contacts this is not possible. The left (no. 1) or right (no. 3) contact may not be set to the same set point as the other 2 contacts. The required displacement is approx. 30°, optionally to the right or to the left.

Available contact versions

- 831-N
- 831-SN, safety version ¹⁾
- 831-S1N, safety version ¹⁾, inverted signal

¹⁾ only operate with a corresponding isolating amplifier (model 904.3x)

Permissible temperature ranges

T6	T5 ... T1	T135°C
-20 ... +60 °C	-20 ... +70 °C	-20 ... +70 °C

For further information on hazardous areas, see operating instructions.

Associated isolating amplifiers and control units

Model	Version	Ex version
904.28 KFA6 - SR2 - Ex1.W	1 contact	yes
904.29 KFA6 - SR2 - Ex2.W	2 contacts	yes
904.30 KHA6 - SH - Ex1	1 contact	yes - safety equipment
904.33 KFD2 - SH - Ex1	1 contact	yes - safety equipment
904.25 MSR 010-I	1 contact	no
904.26 MSR 020-I	2 contacts	no
904.27 MSR 011-I	Two-point control	no

Specifications for instruments with electronic contact model 830 E

Measuring span	Nominal size	Case version	Max. number of contacts
0.6 bar	100, 160	S1	1
0.6 bar	160	S3	1
1.0 bar	100, 160	S1	2
1.0 bar	100	S3	1
1.0 bar	160	S3	2
≥ 1.6 bar	100, 160	S1, S3	2

Legend:

S1 = Standard version, with blow-out device (per EN 837)

S3 = Safety version, Solidfront (per EN 837)

The recommended setting range of the contacts is 10 ... 90 % of the scale (0 ... 100 % on request).

Setting of contacts to identical set point

Up to 2 contacts can be set to an identical set point. For a version with 3 contacts this is not possible. The left (no. 1) or right (no. 3) contact may not be set to the same set point as the other 2 contacts. The required displacement is approx. 30°, optionally to the right or to the left.

Characteristics	
Contact version	Normally open, normally closed
Type of output	PNP transistor
Operating voltage	DC 10 ... 30 V
Residual ripple	max. 10 %
No-load current	≤ 10 mA
Switching current	≤ 100 mA
Residual current	≤ 100 µA
Voltage drop (with $I_{max.}$)	≤ 0.7 V
Reverse polarity protection	Conditional U_B (the switched output 3 or 4 must never be set directly to minus)
Anti-inductive protection	1 kV, 0.1 ms, 1 kΩ
Oscillator frequency	approx. 1,000 kHz
EMC	per EN 60947-5-2

Specifications for instruments with reed switch model 851










Measuring span	Nominal size	Max. number of contacts
≥ 16 mbar	100, 160	2

Switching power P_{\max} 60 W / 60 VA
 Switching current 1 A

Characteristics	
Contact version	Change-over contact
Type of contact	Bistable
Max. switching voltage	AC/DC 250 V
Min. switching voltage	Not required
Switching current	AC/DC 1 A
Min. switching current	Not required
Transport current	AC/DC 2 A
cos φ	1
Switching power	60 W/ VA
Contact resistance (static)	100 mΩ
Insulation resistance	10 ⁹ Ω
Breakdown voltage	DC 1,000 V
Switching time incl. contact chatter	4.5 ms
Contact material	Rhodium
Switch hysteresis	3 ... 5 %

- The limit values presented here must not be exceeded.
- When using two contacts, these cannot be set to the same point. Depending on the switching function, a minimum clearance of 15 ... 30° is required.
- The setting range of the contacts is 10 ... 90 % of the scale.
- The switching function can be set in manufacturing such that the reed contact will actuate exactly at the required switch point. For this, we need the switching direction to be specified on order.

Approvals

Logo	Description	Country
	EU declaration of conformity <ul style="list-style-type: none"> ■ EMC directive ■ Pressure equipment directive ■ ATEX directive (option) ¹⁾ Hazardous areas <ul style="list-style-type: none"> - Ex ia Gas [II 2G Ex ia IIC T6/T5/T4 Gb] Dust [II 2D Ex ia IIIB T85°C/T100°C/T135°C Db] 	European Union
	IECEx (option) ¹⁾ Hazardous areas <ul style="list-style-type: none"> - Ex ia Gas [Ex ia IIC T6/T5/T4 Gb] Dust [Ex ia IIIB T85°C/T100°C/T135°C Db] 	International
	EAC (option) <ul style="list-style-type: none"> ■ EMC directive ■ Pressure equipment directive ■ Low voltage directive ■ Hazardous areas 	Eurasian Economic Community
	GOST (option) Metrology, measurement technology	Russia
	KazInMetr (option) Metrology, measurement technology	Kazakhstan
-	MTSCHS (option) Permission for commissioning	Kazakhstan
	BelGIM (option) Metrology, measurement technology	Belarus
	UkrSEPRO (option) Metrology, measurement technology	Ukraine
	DNOP (MakNII) (option) Hazardous areas	Ukraine
	Uzstandard (option) Metrology, measurement technology	Uzbekistan
-	CRN Safety (e.g. electr. safety, overpressure, ...)	Canada

Certificates (option)

- 2.2 test report per EN 10204 (e.g. state-of-the-art manufacturing, indication accuracy)
- 3.1 inspection certificate per EN 10204 (e.g. indication accuracy)

Approvals and certificates, see website

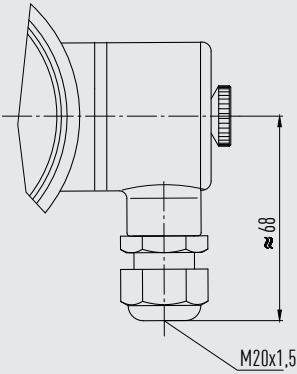
Accessories

- Instrument mounting bracket for wall or pipe mounting
- Panel mounting flange, polished stainless steel
- Instrument mounting bracket for wall or pipe mounting, lacquered steel or stainless steel
- Sealings (model 910.17, see data sheet AC 09.08)
- Valves (models IV3x/IV5x, see data sheet AC 09.23)
- Diaphragm seal

Dimensions in mm

Cable socket

Contact models: 821 and 851



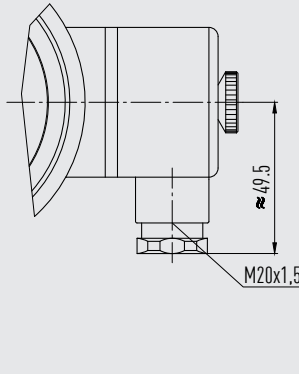
14062234.01

Only use cable with a diameter of 5 ... 10 mm

≈ 68

M20x1,5

Contact models: 831 and 830 E



14336089.01

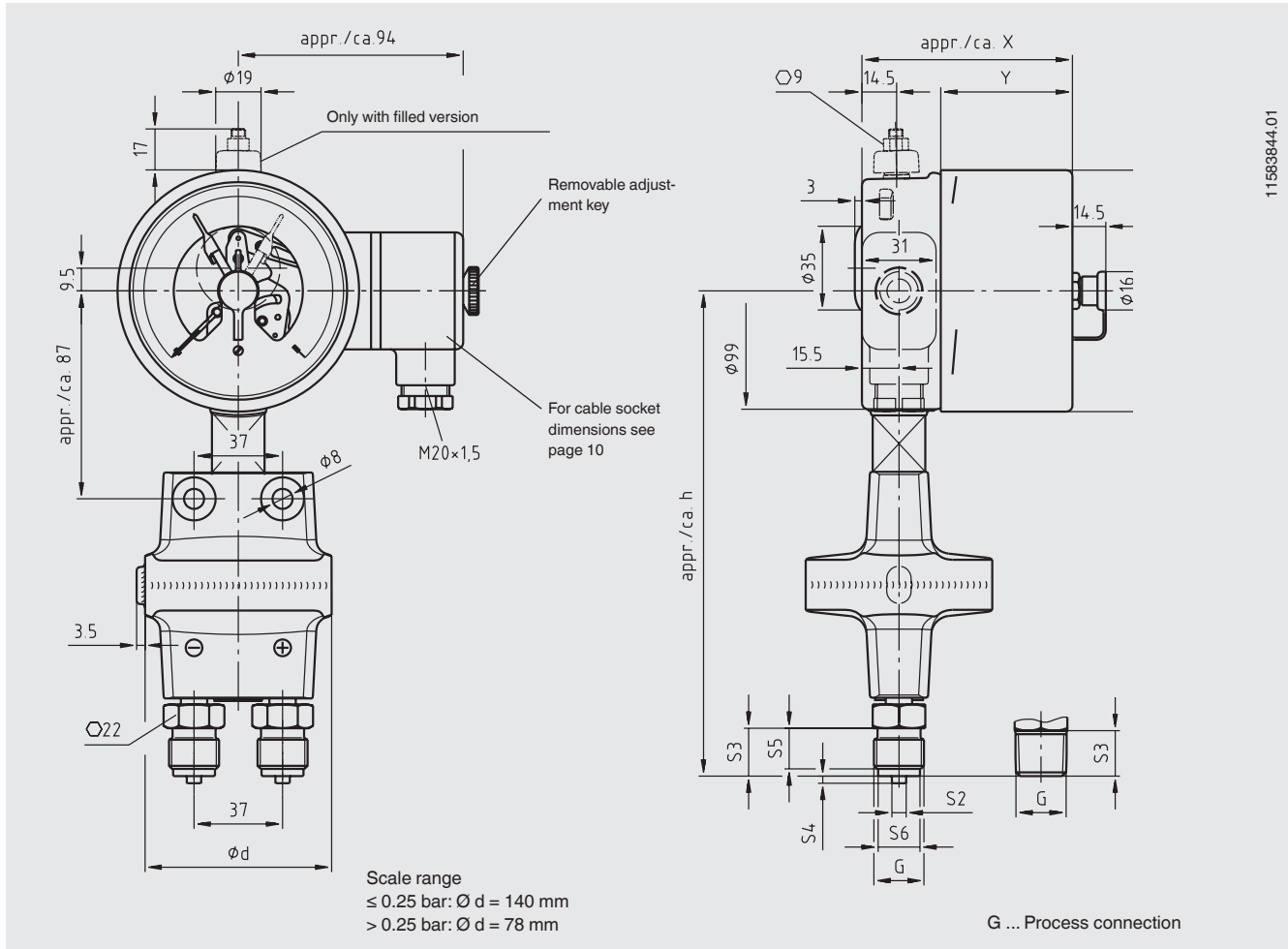
Only use cable with a diameter of 7 ... 13 mm

≈ 49,5

M20x1,5

Dimensions in mm

switchGAUGE model DPGS43.100 with switch contact model 821, 831 or 830 E

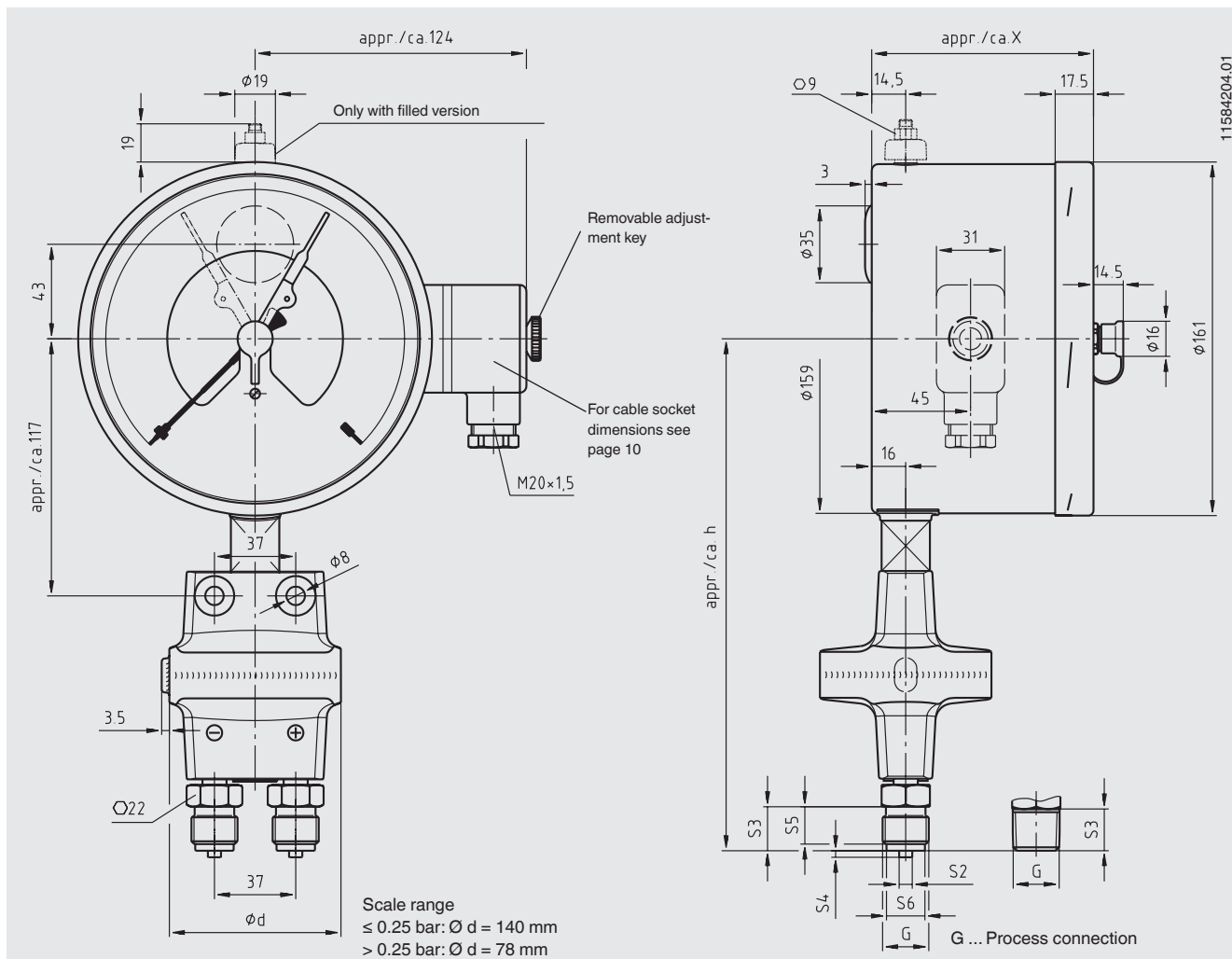


11563844.01

Type of contact	Dimensions in mm	
	X	Y
Single or double contact	88	55
Double (change-over) contact	113	80
Triple contact	96	63
Quadruple contact	113	80

Process connection	Dimensions in mm					
	h ±1	S2	S3	S4	S5	S6
G ½ B	203	6	20	3	17	17.5
½ NPT	201	-	19	-	-	-

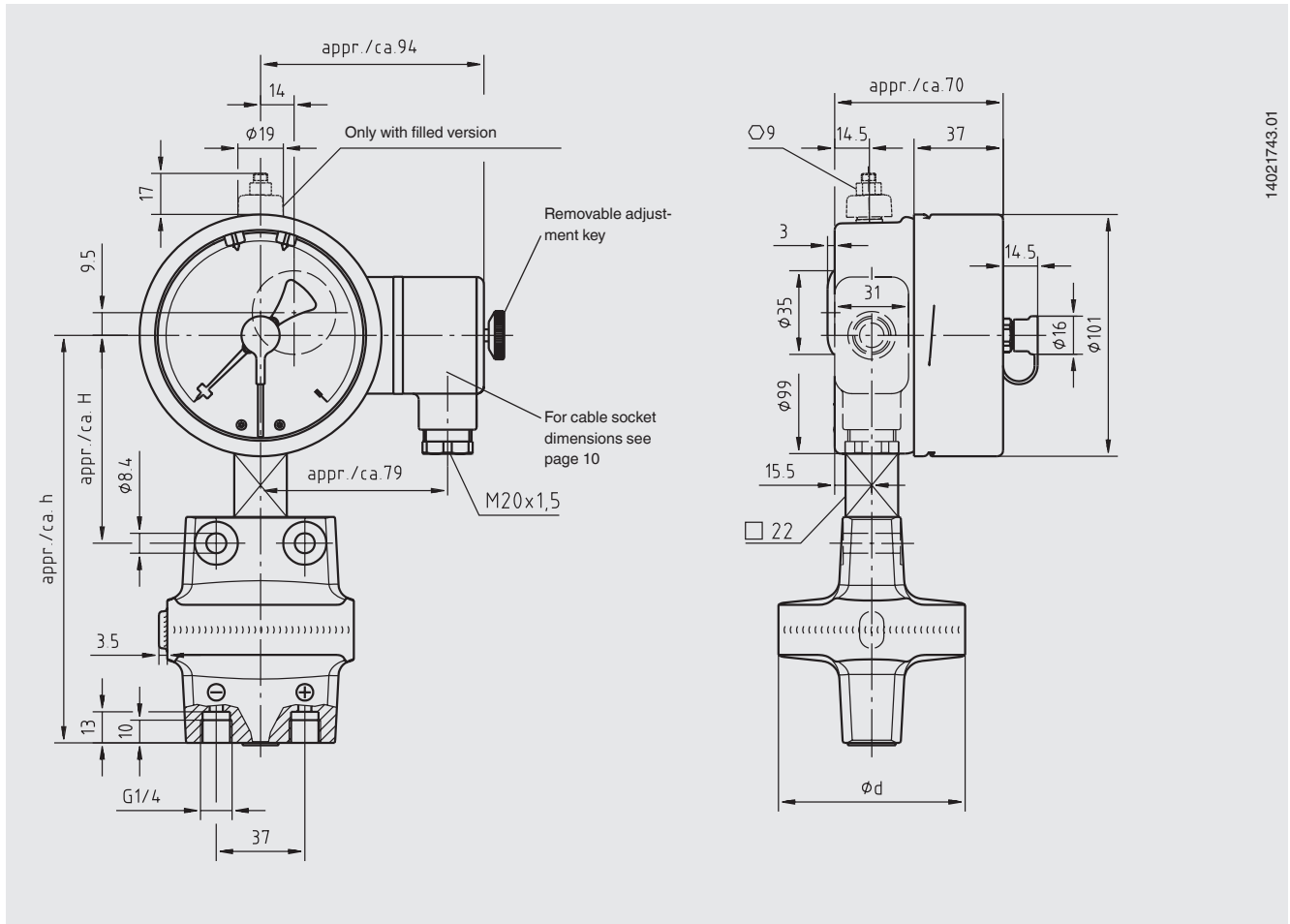
switchGAUGE model DPGS43.160 with switch contact model 821, 831 or 830 E



Type of contact	Dimensions in mm
	X
Single or double contact	102
Double (change-over) contact	116
Triple contact	102
Quadruple contact	116

Process connection	Dimensions in mm					
	h ±1	S2	S3	S4	S5	S6
G ½ B	233	6	20	3	17	17.5
½ NPT	231	-	19	-	-	-

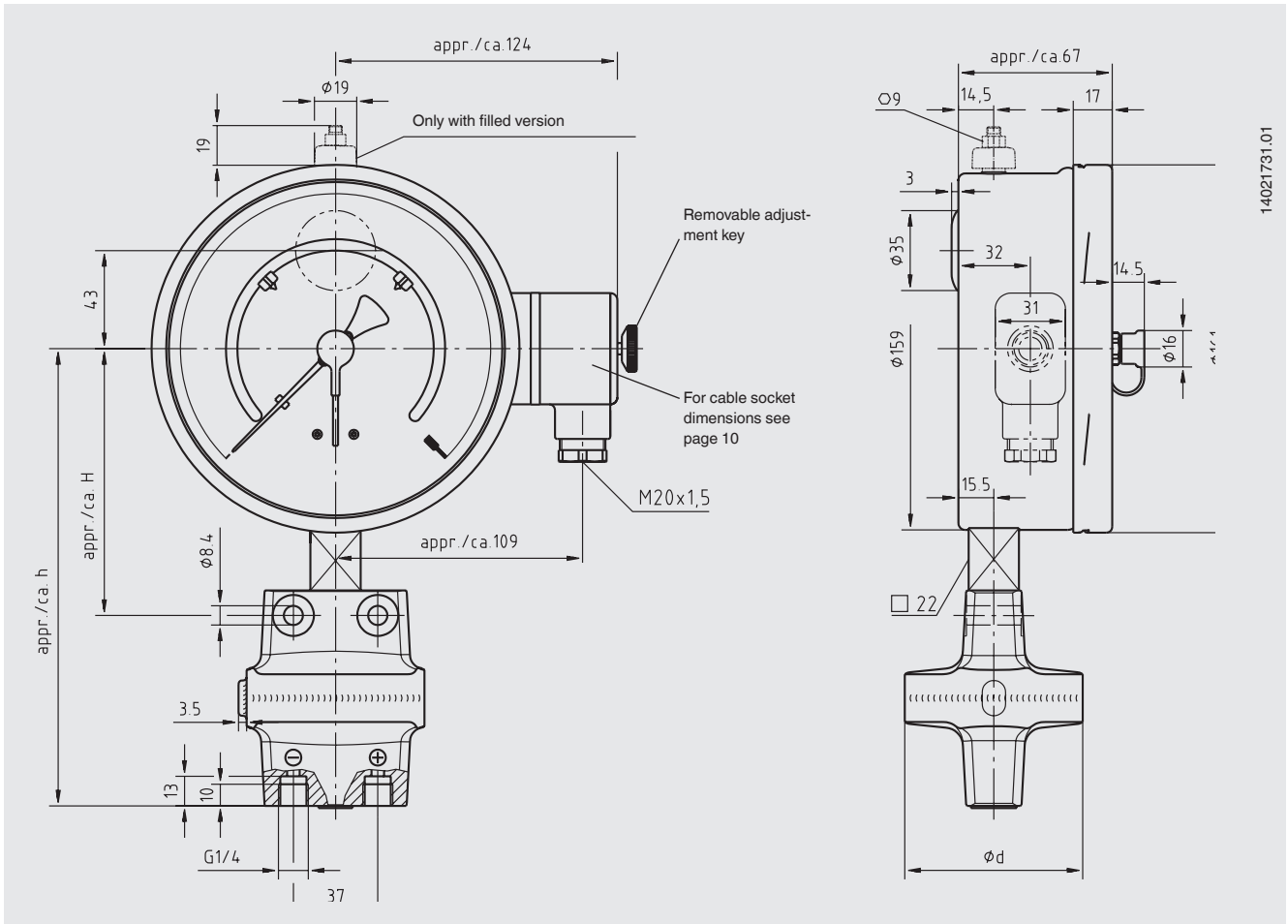
switchGAUGE model DPGS43.100 with switch contact model 851.3 or 851.33



14021743.01

Scale range	Dimensions in mm		
	Ø d	h ±1	H ±1
≤ 0.25 bar	140	161	90
> 0.25 bar	78	171	87

switchGAUGE model DPGS43.160 with switch contact model 851.3 or 851.33



Scale range	Dimensions in mm		
	Ø d	h ±1	H ±1
≤ 0.25 bar	140	201	117
> 0.25 bar	78	190	120

Ordering information

Model / Nominal size / Type of contact / Contact version / Scale range / Scale version (linear pressure or square root incrementation) / Max. working pressure (static pressure) / Process connection / Connection location / Options

© 08/2010 WIKA Alexander Wiegand SE & Co. KG, all rights reserved.
 The specifications given in this document represent the state of engineering at the time of publishing.
 We reserve the right to make modifications to the specifications and materials.



WIKAL Alexander Wiegand SE & Co. KG
 Alexander-Wiegand-Straße 30
 63911 Klingenberg/Germany
 Tel. +49 9372 132-0
 Fax +49 9372 132-406
 info@wika.de
 www.wika.de