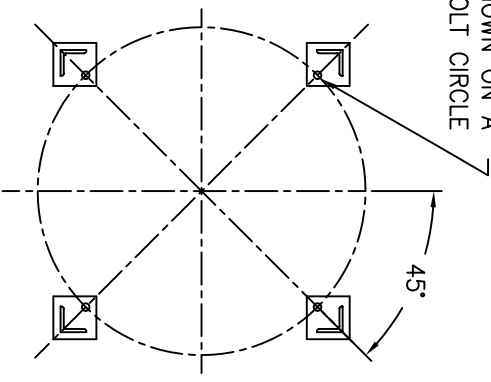


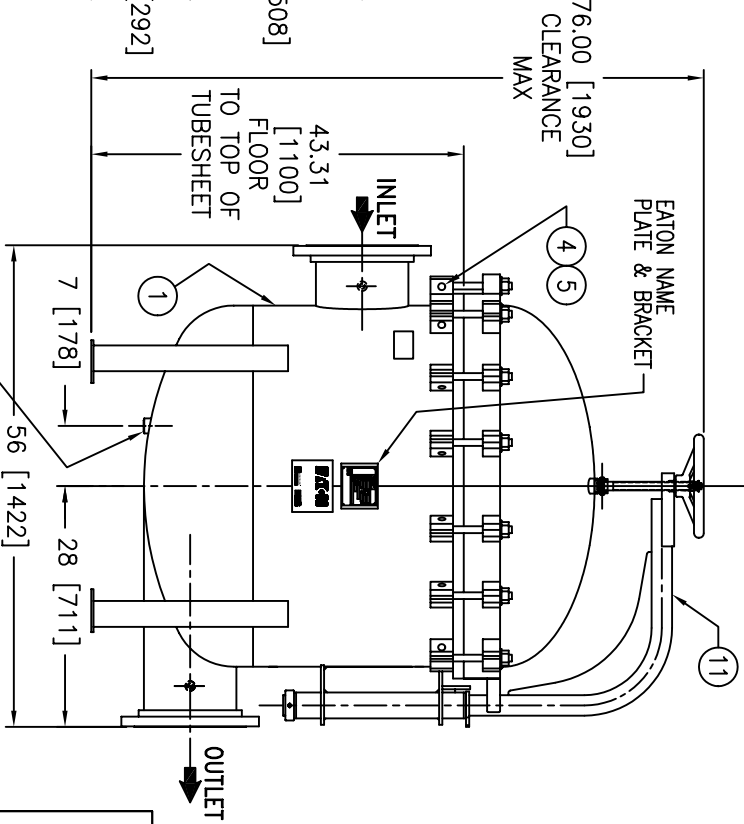
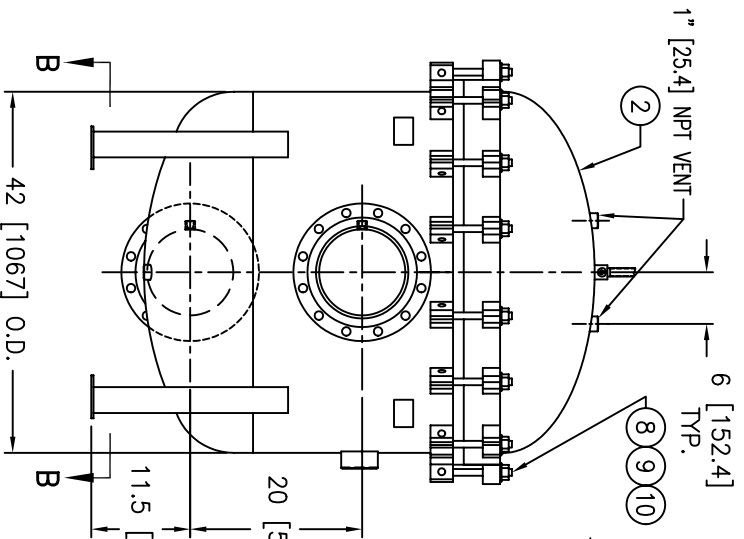
(4) 7/8"φ [22φ] BOLT HOLES
LOCATED AS SHOWN ON A
38.13φ [969φ] BOLT CIRCLE



ITEM	PART NAME	MATERIAL
1	BODY	SA240 304/304L
2	COVER	SA240 304/304L
3	O-RING	BUNA-N
4	PIN	SA193 B7 ZINC PL
5	SNAP RING	STEEL ZINC PL
6	BASKET RESTRAINER	304 SS
7	FILTER BAG RETAINER	316 SS
8	EYE BOLT	SA193 B7 ZINC PL
9	HEX NUT	SA194 2H ZINC PL
10	WASHER	STEEL ZINC PL
11	DAVIT ASSEMBLY	CARBON STEEL

NOTES:

1. UNITS ARE TO BE DESIGNED, FABRICATED & "U" STAMPED IN ACCORDANCE WITH ASME SECT. VIII, DIV. 1 BOILER & PRESSURE VESSEL CODE, IN COMPLIANCE TO LATEST ADDENDA.
2. INLET / OUTLET FLANGE CONNECTIONS PER ANSI B 16.5.
3. DESIGN PRESSURE: 150 PSI (MAMP)
DESIGN TEMPERATURE 250° F.
MDMT -- -20° F @ 150 PSI.
4. ALL DIMENSIONS ARE IN INCHES / (MM).
5. ALL BOLT HOLES ARE TO STRADDLE NATURAL CENTERLINES.
6. APPROX. WEIGHT (DRY) 1800 LB. (816 KG.)



CERTIFIED FOR:
P.O. NO.:
SALES ORDER NO.:
QUOTE NO.:
TAG NO.:
VESSEL CODE: MBF-1402-BB10-100A-UT-11HD
PART NUMBER: F3AV1400003-304

EATON FILTRATION, LLC
900 FAIRMOUNT AVENUE, ELIZABETH, NEW JERSEY 07207

EATON
NAME: MAXILINE MBF1402HD FILTER VESSEL
10" # 150# RF INLET / TANGENTIAL OUTLET
STAINLESS STEEL-304

ELECTRONIC FILE NAME: HD1410TS-304.DWG
REF. ECR E370 DATE 12/13/06
UNAUTHORIZED USE, MANUFACTURE OR REPRODUCTION IN WHOLE OR IN PART IS PROHIBITED. DRAWING, DESIGN AND OTHER DISCLOSURES PROPERTY OF EATON FILTRATION, LLC

DRAWN	DATE	CERT.	LH	DATE	REV
A	12/13/06			12/13/06	A

HD1410TS-304