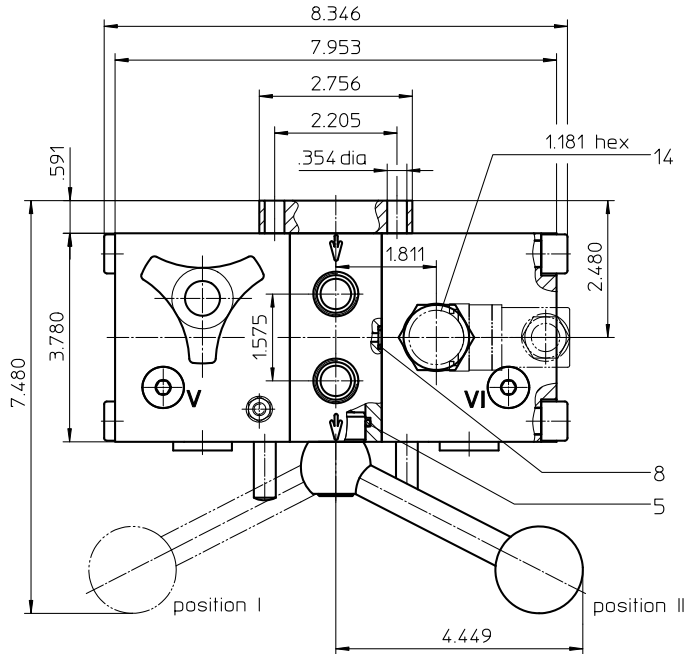


Series MDD 40-63

2900 PSI



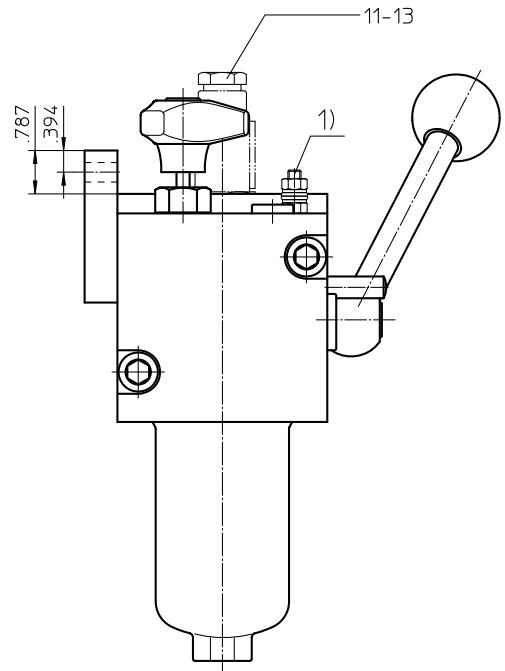
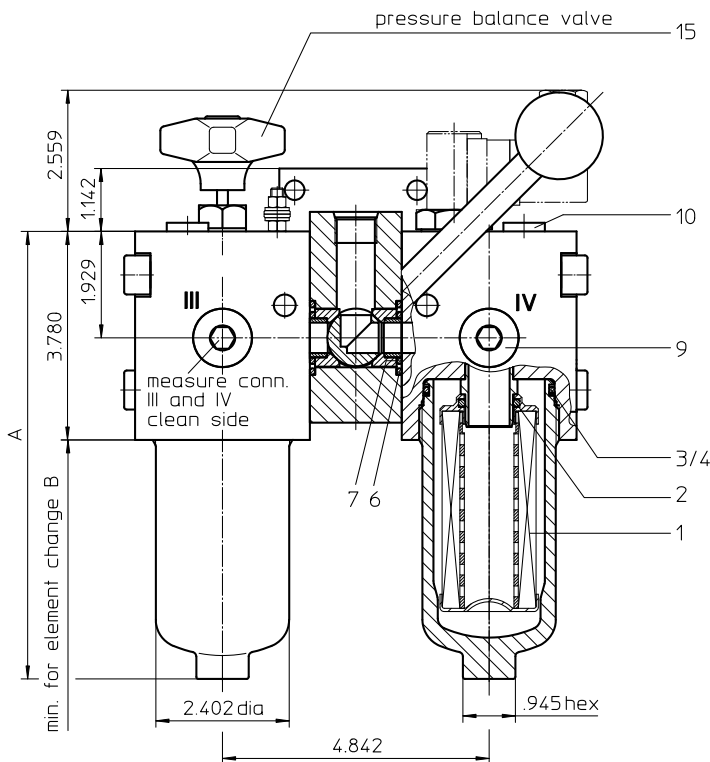
Dimensions:

type	MDD 40	MDD 63
connection	-8 SAE	-12 SAE
A	8.11	10.47
B	11.22	13.58
C	30	36.5
weight lbs.	35	37
volume tank	2x .06 Gal.	2x .09 Gal.

- 1) Connection for the potential equalization, only for application in the explosive area.

Measure connections III and IV to be used for pressure relief and air bleeding respective filter side.

Position I: left filter side in operation
Position II: right filter side in operation



Dimensions: inch

Designs and performance values are subject to change.



Powering Business Worldwide

Pressure Filter, changeover

Series MDD 40-63

1900 PSI

Description:

Pressure filters changeover series MDD 40-63 are suitable for operating pressure up to 1900 PSI. The pressure peaks are absorbed by a sufficient margin of safety.

Duplex filters can be maintained without interruption. The upper part has a three-way-change-over valve which allows to change-over the flow from the dirty filter-side to the clean filter-side without interrupting the operation. The change-over procedure does not lead to a cross sectional contraction. Prior to the change-over procedure a built-in pressure balance valve equalizes the housing pressure. After change-over the pressure balance valve has to be closed again. The closed filter-side has to be air-bled by vent V respectively by vent VI. Then change filter element. After screw in the filter bowl the pressure balance has to be opened shortly and the just serviced filter-side has to be air-bled. Filter elements are available down to a filter fineness of 5 $\mu\text{m(c)}$.

Eaton filter elements are known for high intrinsic stability and an excellent filtration capability, a high dirt-retaining capacity and a long service life.

Eaton filter elements are available up to a pressure resistance of Δp 2320 PSI and a rupture strength of Δp 3625 PSI.

The internal valve is integrated into the filter head. After reaching the bypass pressure setting, the bypass valve will send unfiltered partial flow around the filter.

The reversing valve provides another level of protection for the filter element. The reverse flow will not be filtered.

Eaton filter can be used for petroleum-based fluids, HW emulsions, water glycols, most synthetic fluids and lubrication fluids. Consult factory for specific fluid applications.

Type index:

Complete filter: (ordering example)

MDD.	40.	10VG.	HR.	E.	P.	-	UG.	3.	-	-	AE
1	2	3	4	5	6	7	8	9	10	11	12

- 1 series:**
MDD = medium pressure filter, changeover
- 2 nominal size:** 40, 63
- 3 filter material:**
25VG, 16VG, 10VG, 6VG, 3VG microglass
- 4 filter element collapse rating:**
30 = Δp 435 PSI
HR = Δp 2320 PSI (rupture strength Δp 3625 PSI)
- 5 filter element design:**
E = single-end open
- 6 sealing material:**
P = Nitrile (NBR)
V = Viton (FPM)
- 7 filter element specification:**
- = standard
VA = stainless steel
IS06 = for HFC applications, see sheet-no. 31601
- 8 process connection:**
UG = thread connection
- 9 process connection size:**
3 = -8 SAE (MDD 40)
4 = -12 SAE (MDD 63)
- 10 filter housing specification:**
- = standard
IS06 = for HFC applications, see sheet-no. 31605
IS12 = internal parts of change over armature stainless steel, see sheet-n. 41028
- 11 internal valve:**
- = without
S1 = with by-pass valve Δp 51 PSI
S2 = with by-pass valve Δp 102 PSI
R = with reversing valve, $Q \leq 18.50$ GPM
- 12 clogging indicator or clogging sensor:**
- = without
AOR = visual, see sheet-no. 1606
AOC = visual, see sheet-no. 1606
AE = visual-electric, see sheet-no. 1615
VS5 = electronic, see sheet-no. 1619

To add an indicator/sensor to your filter, use the corresponding indicator data sheet to find the indicator details and add them to the filter assembly model code

Filter element: (ordering example)

01NL.	40.	10VG.	HR.	E.	P.	-
1	2	3	4	5	6	7

- 1 series:**
01NL = standard filter element according to DIN 24550, T3
- 2 nominal size:** 40, 63
- 3 - 7** see type index-complete filter

Accessories:

- gauge port- and bleeder connections, see sheet-no. 1650

Technical data:

design temperature:	14 °F to +212 °F
operating temperature:	14 °F to +176 °F
operating medium:	mineral oil, other media on request
max. operating pressure:	2900 PSI
test pressure:	4150 PSI
process connection:	thread connection according to ISO 228
housing material:	C-steel
sealing material:	Nitrile (NBR) or Viton (FPM), other materials on request
installation position:	vertical
bleeder- and measuring connections dirt side:	BSPP ¼
measuring connections clean side:	BSPP ½

Classified under the Pressure Equipment Directive 2014/68/EU for mineral oil (fluid group 2), Article 4, Para. 3.
 Classified under ATEX Directive 2014/34/EU according to specific application (see questionnaire sheet-no. 34279-4).

Pressure drop flow curves:

Filter calculation/sizing

The pressure drop of the assembly at a given flow rate Q is the sum of the housing Δp and the element Δp and is calculated as follows:

$$\Delta p_{assembly} = \Delta p_{housing} + \Delta p_{element}$$

$$\Delta p_{housing} = (\text{see } \Delta p = f(Q) \text{ - characteristics})$$

$$\Delta p_{element} (PSI) = Q (GPM) \times \frac{MSK}{1000} \left(\frac{PSI}{GPM} \right) \times \nu (SUS) \times \frac{\rho}{0.876} \left(\frac{kg}{dm^3} \right)$$

For ease of calculation our Filter Selection tool is available online at
www.eatonpowersource.com/calculators/filtration/

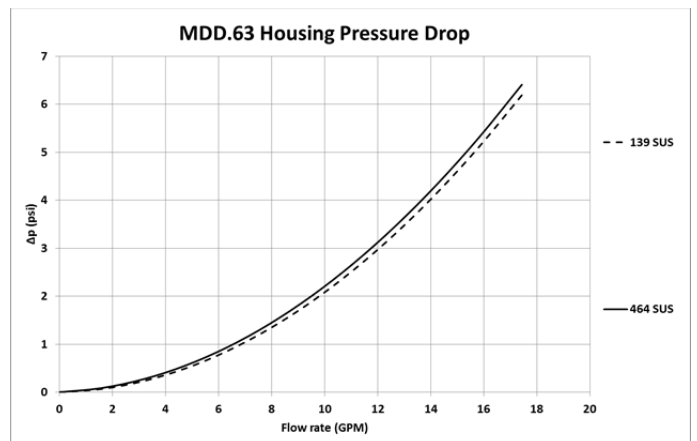
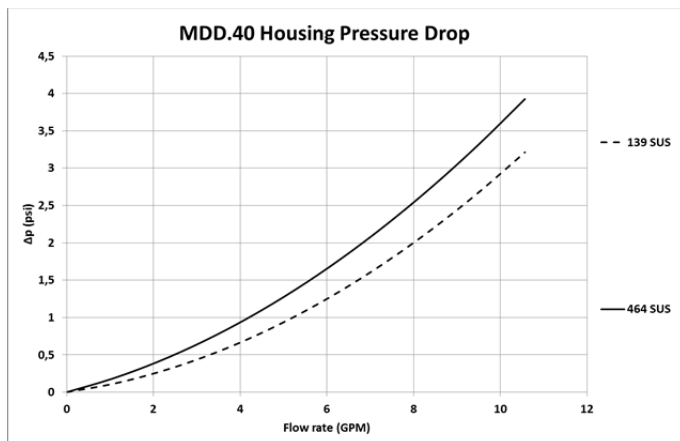
Material gradient coefficients (MSK) for filter elements

The material gradient coefficients in psi/gpm apply to mineral oil (HLP) with a density of 0.876 kg/dm³ and a kinematic viscosity of 139 SUS (30 mm²/s). The pressure drop changes proportionally to the change in kinematic viscosity and density.

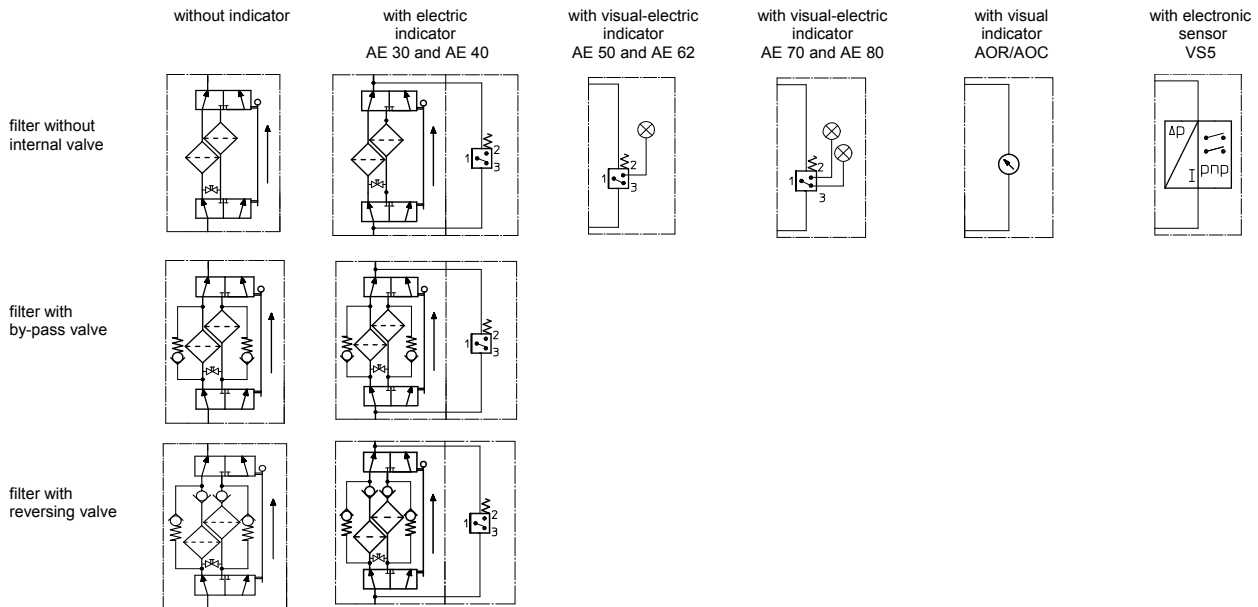
MDD	VG				
	3VG	6VG	10VG	16VG	25VG
40	6.991	4.853	3.107	2.705	1.848
63	4.214	2.926	1.873	1.631	1.114

$\Delta p = f(Q)$ – characteristics according to ISO 3968

The pressure drop characteristics apply to mineral oil (HLP) with a density of 0.876 kg/dm³. The pressure drop changes proportionally to the density.



Symbols:



Spare parts:

item	qty.	designation	dimension		article-no.	
			MDD 40	MDD 63		
1	2	filter element	01NL.40...	01NL.63...		
2	2	O-ring		22 x 3,5	304341 (NBR)	304392 (FPM)
3	2	O-ring		54 x 3	304657 (NBR)	304720 (FPM)
4	2	support ring		60 x 2,6 x 1	311779	
5	3	O-ring		26 x 3	304359 (NBR)	304399 (FPM)
6	4	O-ring		28 x 3	316778 (NBR)	318366 (FPM)
7	4	O-ring		18 x 3	304359 (NBR)	304399 (FPM)
8	4	O-ring		6,5 x 2	313553 (NBR)	318577 (FPM)
9	2	screw plug		G 1/2	304678	
10	2	screw plug		G 1/4	305003	
11	1	clogging indicator, visual		AOR or AOC	see sheet-no. 1606	
12	1	clogging indicator, visual-electric		AE	see sheet-no. 1615	
13	1	clogging sensor, electronic		VS5	see sheet-no. 1619	
14	1	screw plug		20913-4	309817	
15	1	pressure balance valve		3/8"	305000	

item 14 execution only without clogging indicator or clogging sensor

Test methods:

Filter elements are tested according to the following ISO standards:

ISO 2941	Verification of collapse/burst resistance
ISO 2942	Verification of fabrication integrity
ISO 2943	Verification of material compatibility with fluids
ISO 3723	Method for end load test
ISO 3724	Verification of flow fatigue characteristics
ISO 3968	Evaluation of pressure drop versus flow characteristics
ISO 16889	Multi-pass method for evaluating filtration performance

North America

44 Apple Street
Tinton Falls, NJ 07724
Toll Free: 800 656-3344
(North America only)
Tel: +1 732 212-4700

Europe/Africa/Middle East

Auf der Heide 2
53947 Nettersheim, Germany
Tel: +49 2486 809-0

Friedensstraße 41
68804 Altludersheim, Germany
Tel: +49 6205 2094-0

An den Nahewiesen 24
55450 Langenlonsheim, Germany
Tel: +49 6704 204-0

China

No. 3, Lane 280,
Linhong Road
Changning District, 200335
Shanghai, P.R. China
Tel: +86 21 5200-0099

Singapore

4 Loyang Lane #04-01/02
Singapore 508914
Tel: +65 6825-1668

Brazil

Rua Clark, 2061 - Macuco
13279-400 - Valinhos, Brazil
Tel: +55 11 3616-8400

For more information, please

email us at filtration@eaton.com
or visit www.eaton.com/filtration

© 2015 Eaton. All rights reserved. All trademarks and registered trademarks are the property of their respective owners. All information and recommendations appearing in this brochure concerning the use of products described herein are based on tests believed to be reliable. However, it is the user's responsibility to determine the suitability for his own use of such products. Since the actual use by others is beyond our control, no guarantee, expressed or implied, is made by Eaton as to the effects of such use or the results to be obtained. Eaton assumes no liability arising out of the use by others of such products. Nor is the information herein to be construed as absolutely complete, since additional information may be necessary or desirable when particular or exceptional conditions or circumstances exist or because of applicable laws or government regulations.