



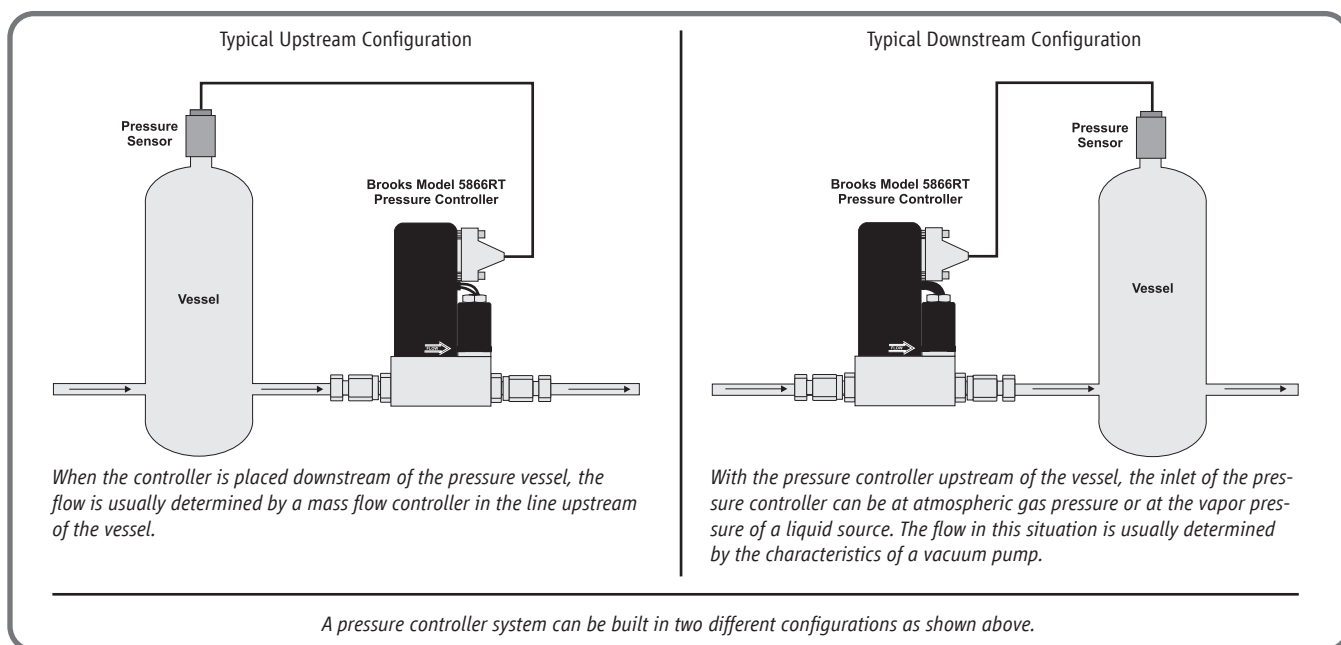
Model 5866RT Pressure Controller / Flowmeter

# Model 5866RT

Elastomer or Metal Sealed, Remote Transducer Pressure Controller / Flowmeter

Model 5866RT Pressure Controller/Flowmeter controls pressure while also measuring flow rate. The Model 5866RT receives a remote pressure transducer signal, and using adjustable integral PID control electronics and control valve, will maintain a desired set pressure. In addition to the pressure control function, the Model 5866RT provides a 0-5 V signal which is linear with mass flow rate. The Model 5866RT can also be configured as a mass flow controller for calibration or test purposes.

- High accuracy
- High leak integrity
- Electropolished wetted surfaces (optional)
- Pressure control and flow measurement
- Compact design
- Wide flow measurement range
- Dynamic tuning adjustments with top mounted DIP switches
- Electrically activated valve override



View Model 5866RT  
Product Page

**BROOKS**<sup>®</sup>  
INSTRUMENT

## Model 5866RT

PERFORMANCE	
Flow Range*	Any range from 0 to 3 sccm to 0 to 30,000 sccm N <sub>2</sub> Eq.
Flow Output Signals	0-5 Vdc, max. load 1 k ohm
Flow Accuracy	±1.0% full scale including linearity at the calibration conditions. ±1.5% full scale for flow rates greater than 20 slpm
Flow Repeatability	±0.25% of rate
Flow Temperature Coefficient	0.1% full scale/°C
Pressure Ranges	Dependent upon remote transducer
Remote Pressure Sensor Input	Suitable for any pressure sensor with a 0-5 V or 0-10 V output signal
Pressure Setpoint Signal	0-5 Vdc or 0-10 V. 5 Vdc reference output available for setpoint generation. 1 k ohm maximum load
Pressure Ratings	Maximum pressure: 1500 psig
Pressure Equipment Directive (PED) 97/23/EC	Equipment falls under Sound Engineering Practice (SEP)
Pressure Control Range	100:1 for a remote transducer with a 0-10 V output
Pressure Response Time	Less than 0.8 seconds typical for a 0-100% command step with less than 2% pressure overshoot Actual pressure response depends on system design
Temperature Range	32 to 150°F (0-65°C)
Input/Output Offset	0.2% full scale
Leak Integrity, Inboard to Outboard	Elastomer Seal: 1 x 10 <sup>-9</sup> atm cc/sec Helium max. Metal Seal: 1 x 10 <sup>-10</sup> atm scc/sec Helium ma

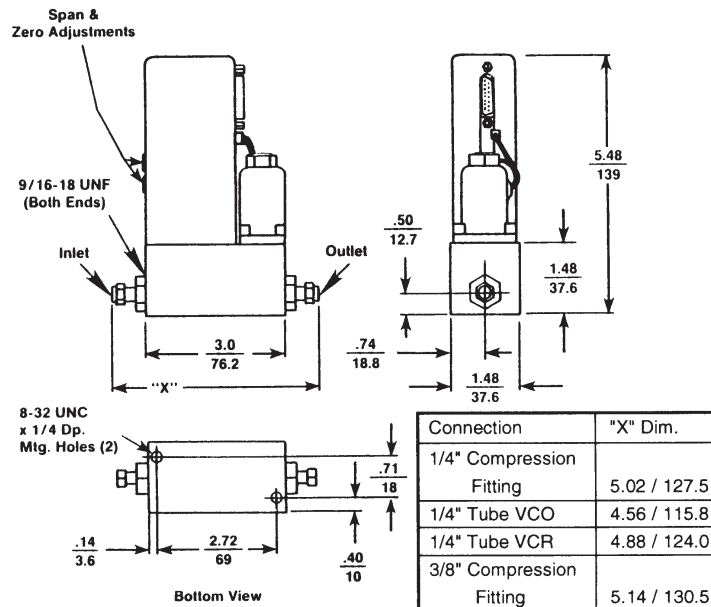
MECHANICAL	
Materials of Construction	Wetted Parts - Standard: 316L/316L VAR Stainless Steel Valve Seat - Standard: Viton® fluoroelastomers or metal External/Internal Seals: fluoroelastomers or metal; Optional: Buna-N, Teflon® or Kalrez®
Mechanical Connections	Model 5866RT Standard: 1/8" or 1/4" Stainless Steel Compression Fittings Model 5866RT Optional: 1/4" VCO™ or VCR™ Model 5866RT(M) 1/4" VCR

ELECTRICAL	
Electrical Connections	15 Pin D-Connector (DA-15P)
Power Requirements	N.C. 3.5 watts; +15 Vdc (±5%) @ 35 mA, -15 Vdc (±5%) @ 180 mA N.O. 10.5 watts; ±15 Vdc (±5%) @ 350 mA
Compliance	EMC Directive 89/336/EEC EN 61326-1

\*Standard pressure and temperature in accordance with SEMI (Semiconductor Equipment and Materials Institute) standard: 0°C and 101 kPa (760 torr).

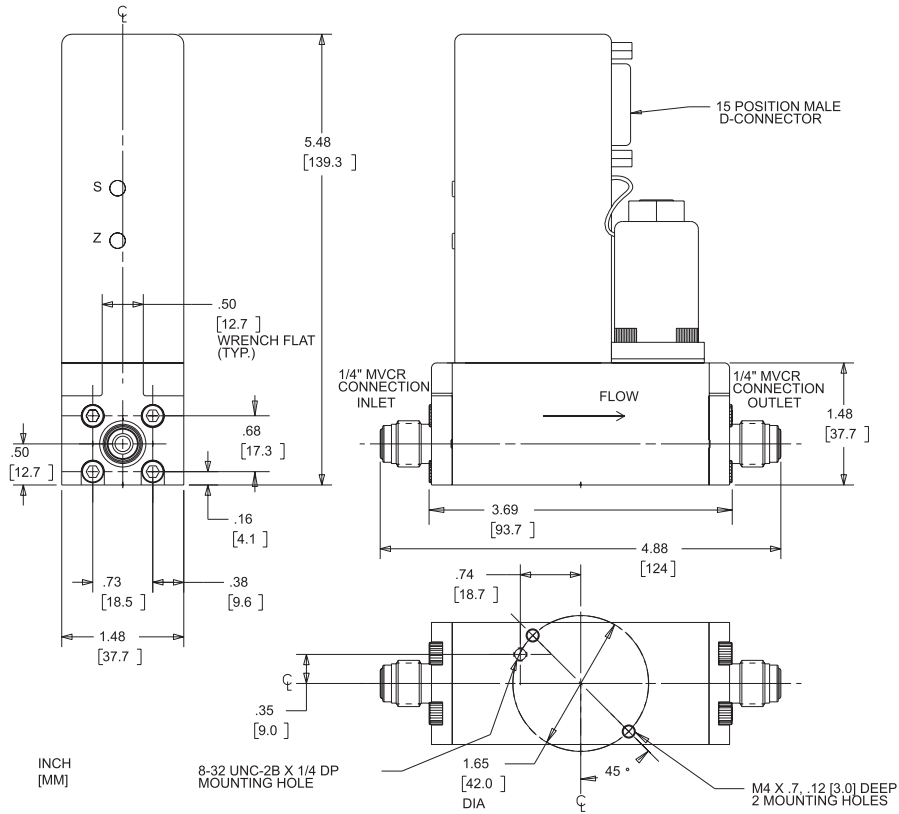
# Product Dimensions

Model 5866RT  
with Elastomer Seals  
and D-Connector

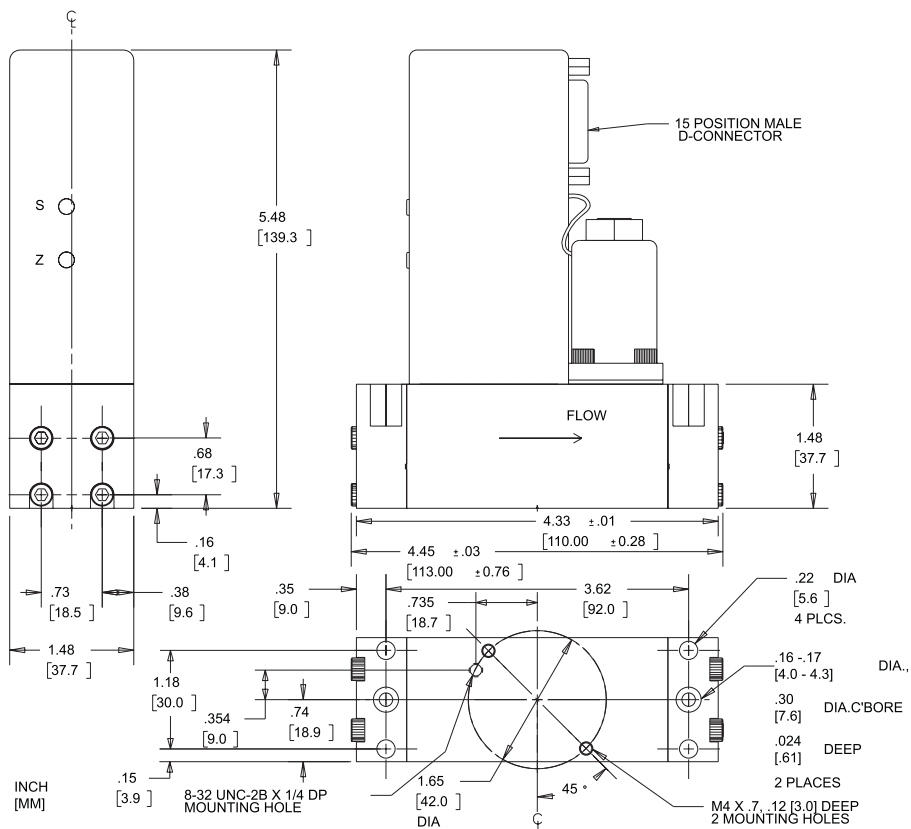


inches / millimeters

Model 5866RT Common Body with VCR and D-Connector



Model 5866RT Common Body Downport and D-Connector



Request a Quote

## Service and Support

Brooks is committed to assuring all of our customers receive the ideal flow solution for their application, along with outstanding service and support to back it up. We operate first class repair facilities located around the world to provide rapid response and support. Each location utilizes primary standard calibration equipment to ensure accuracy and reliability for repairs and recalibration and is certified by our local Weights and Measures Authorities and traceable to the relevant International Standards.

Visit [www.BrooksInstrument.com](http://www.BrooksInstrument.com) to locate the service location nearest to you.

### START-UP SERVICE AND IN-SITU CALIBRATION

Brooks Instrument can provide start-up service prior to operation when required. For some process applications, where ISO-9001 Quality Certification is important, it is mandatory to verify and/or (re)calibrate the products periodically. In many cases this service can be provided under in-situ conditions, and the results will be traceable to the relevant international quality standards.

### CUSTOMER SEMINARS AND TRAINING

Brooks Instrument can provide customer seminars and dedicated training to engineers, end users, and maintenance persons. *Please contact your nearest sales representative for more details.* Due to Brooks Instrument's commitment to continuous improvement of our products, all specifications are subject to change without notice.

### TRADEMARKS

Brooks ..... Brooks Instrument, LLC

All other trademarks are the property of their respective owners.



DS-PR-5866-RT-eng/2017-1

### Global Headquarters

#### Brooks Instrument

407 West Vine Street  
Hatfield, PA  
19440-0903 USA

Toll-Free (USA): 888-554-FLOW

T: 215-362-3500

F: 215-362-3745

[BrooksAM@BrooksInstrument.com](mailto:BrooksAM@BrooksInstrument.com)

A list of all Brooks Instrument locations and contact details can be found at [www.BrooksInstrument.com](http://www.BrooksInstrument.com)

© Copyright 2020 Brooks Instrument, LLC All rights reserved. Printed in U.S.A.

**BROOKS**<sup>®</sup>  
INSTRUMENT  
*Beyond Measure*