

805PT Pressure Transmitter

Form 1360CM

The 805PT pressure transmitter is a compact loop-powered transmitter. A 1-5VDC low power option is also available. It's rugged construction makes cost of ownership low and it carries a three-year warranty. The 805PT Pressure Transmitter is suitable for hazardous locations and hostile environments where space is limited. It meets applications where low-cost, continuous monitoring is preferred. Zero and span are field adjusted via calibration kit with USB communication cable.

Features

- Compact, 316 Stainless Steel, hermetically sealed enclosure
- 17-4 Stainless Steel sensor, no O-ring
- 0.25% accuracy
- 4-20 mA or 1-5 VDC output
- EMI/RFI protection
- NEMA 4X, IP 66 housing
- FM and ATEX certified for hazardous locations in U.S., Canada and Europe
- Dual Seal approval



Product Specifications

Accuracy (Linearity, Hysteresis and Repeatability)	±0.25% URL (BFSL)	Circuit Protection	Reverse polarity and EMI/RFI protected
Turndown	5:1 2:1 for 100 psi range	Construction	316SS housing (CF8M)
Zero Offset	+10% URL	Process Connection	1/2" NPT(M) with 1/4" NPT(F) 17-4SS
Temperature Range		Electrical Connection	
Compensated	-40 to 176°F (-40 to 80°C)	Size	1/2" NPT(M)
Ambient	-40 to 176°F (-40 to 80°C)	Termination	18 AWG shielded cable, 72-inch length
Process	-40 to 194°F (-40 to 90°C)	Wetted Materials	17-4SS
Storage	-40 to 194°F (-40 to 90°C)	Over Pressure	
Temperature Effect	±1% URL/100°F @ -40 to 176°F	0-100 psi	3 times FSPR
Long Term Stability	≤ ±0.5% URL per year	Up to 10000 psi	2 times FSPR
Response Time	≤ 5 ms	Burst Pressure	
Supply Voltage	8-30VDC	0-100 thru 0-250 psi	40 times FSPR
Output	4 to 20 mA (1-5 VDC option - 27mW ± 5mW @ 9VDC)	0-500 thru 0-1000 psi	20 times FSPR
Loop Resistance	800 ohms @ 24VDC	0-2500 psi	10 times FSPR
		0-5000 psi	8 times FSPR
		0-10000 psi	4 times FSPR
		Weight	1.8 lb (0.8 kg)
		Warranty	3 years

Design and specifications are subject to change without notice. For latest revision, see c-a-m.com/measurement.

805PT Pressure Transmitter

Model Number System

How to Order

805PT - C07 - A - RR9A

805PT pressure transmitter with 4-20mA output, 0-2500 psi, 17-4SS port, 1/2" NPT(M) with 1/4" NPT(F) and optional SS tag wired to housing with customer specified information.

Range		2	3		Process Connection Size			
	0-100 psi	03	A	1/2"NPT(M) with 1/4"NPT(F)	4		Accessories	
	0-250 psi	04			BB	Cleaned for industrial oxygen service		
	0-500 psi	05			DS	Dual Seal approval (FM)*		
	0-1000 psi	06			HB	SS universal terminal box, 1/2" NPT(F), ATEX approved		
	0-2500 psi	07			HBME	SS universal terminal box, M20 x 1.5(F), ATEX approved		
	0-5000 psi	08			HT	SS universal terminal box, 1/2" NPT(F), CSA certified		
	0-10000 psi	09			PK	Pipe mounting kit		
					RR	SS tag wired to housing with customer specified information		
Output		1						
	4-20 mA	C						
	1-5 VDC	V						
805PT	C	07	A	RR	9A	← Model Number		

* Dual Seal version is not hermetically sealed

Test Certificates

805 PT	Certificates*	C1	C2	C3	C4	C8
	Calibration	◆				
Hydrostatic Pressure Test			◆			
Inspection Report				◆		
Compliance / Conformance					◆	
Typical Material of Wetted Parts						◆

*Add certificate code to the end of model number.

- Calibration Kit for adjusting range (includes hardware and software): Part Number 9231026.

805PT Pressure Transmitter

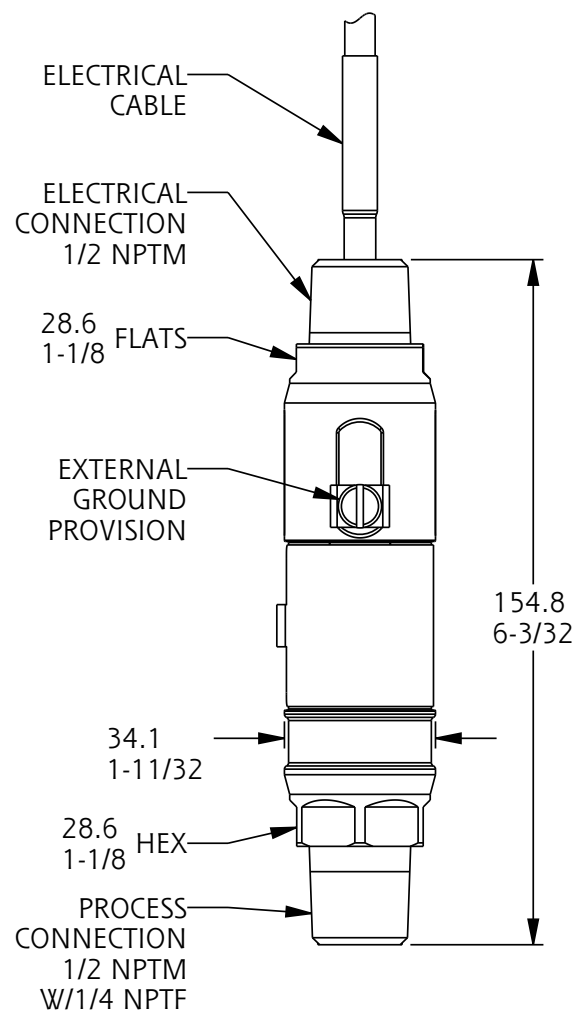
Agency Approvals

Approved*	Safety Method	Approval
FM (U.S. and Canada)	Explosion Proof Hazardous Locations	Class I, II, III; Division 1 Groups A-G; T5; Type 4X
	Non-incendive	Class I, II, III; Division 2 Groups A-G; T5; Type 4X
ATEX or INMETRO	Flameproof	II 2 G Ex d IIC T5 IP 66

Dimensions

Dimensions shown are for reference only. Contact the factory for certified dimension drawings.
Linear = mm/in.

Drawing 0091438



NORTH AND SOUTH AMERICA

14450 JFK Blvd.
Houston, TX 77032
USA
Tel 1 281 582 9500
ms-us@c-a-m.com

7300 Nix Dr.
Duncan, OK 73533
USA
Tel 1 580 470 9600
ms-us@c-a-m.com

1000 McClaren Woods Dr.
Coraopolis, PA 15108
USA
Tel 1 724 273 9300
gasufm@c-a-m.com

7944 10th Street NE
Calgary, Alberta T2E 8W1
Canada
Tel 1 403 291 4814
ms-canada@c-a-m.com

EUROPE, AFRICA, CASPIAN AND RUSSIA

3 Steyning Way
Southern Cross Trading Estate
Bognor Regis
West Sussex PO22 9TT
England, UK
Tel 44 1243 826741
ms-uk@c-a-m.com

ASIA PACIFIC AND MIDDLE EAST

Suite 16.02 Menara AmFirst
No. 1 Jalan 19/3
46300 Petaling Jaya
Selangor Darul Ehsan
Malaysia
Tel 603 7954 0145
ms-kl@c-a-m.com

Level 9, Al Jazira Club Tower A
P.O. Box 47280, Muroor Road
Abu Dhabi
United Arab Emirates
Tel 971 2 596 8400
ms-uk@c-a-m.com

Learn more about Cameron's
measurement solutions at:
www.c-a-m.com/measurement



HSE Policy Statement
At Cameron, we are committed ethically, financially and personally
to a working environment where no one gets hurt and nothing gets harmed.