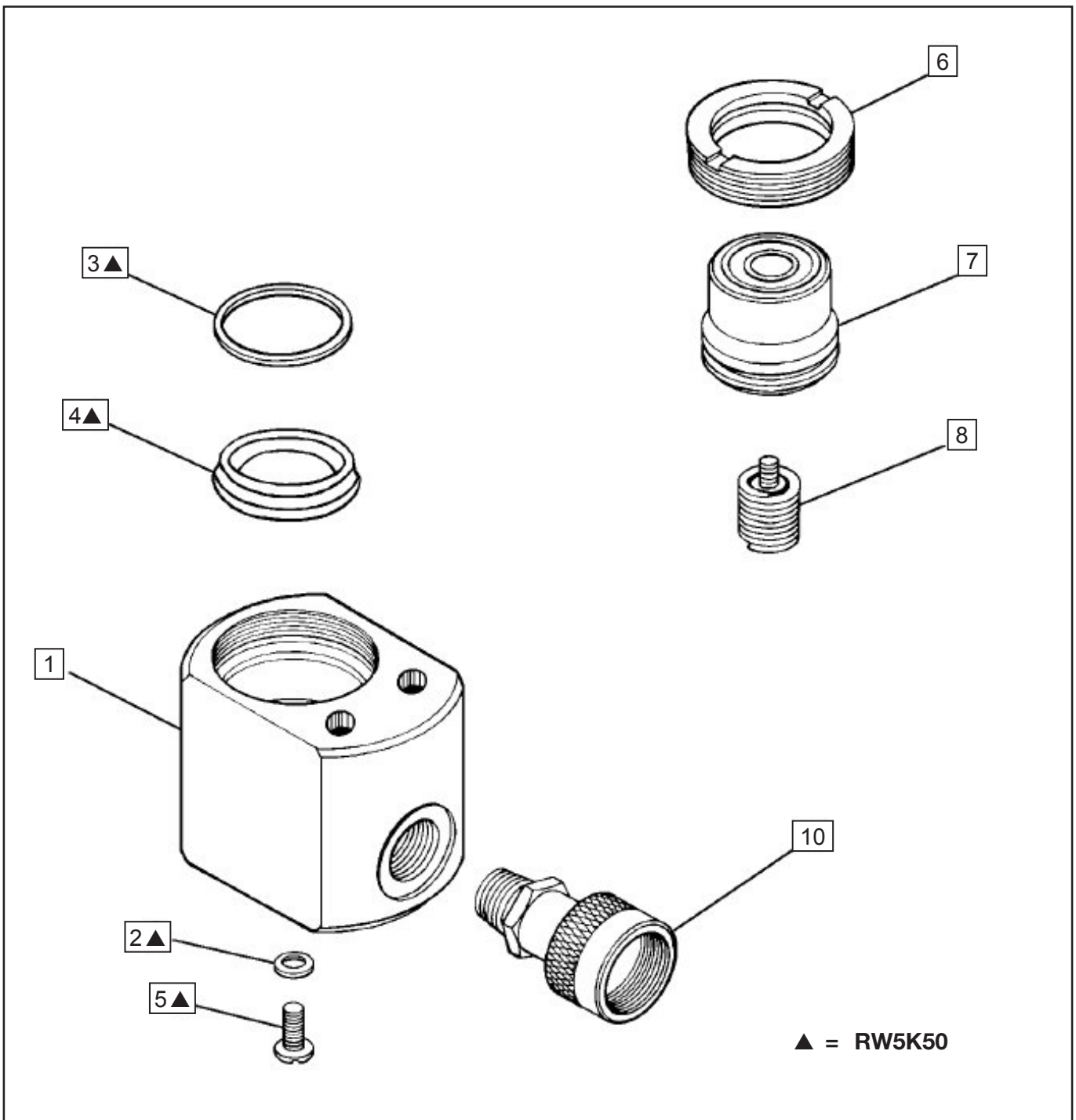


Repair Parts Sheet	Revision	Revision Date	Product Code Beginning
Reference nr. L2800	Rev.A	02/2009	A



Repair Parts List						L 2800
Item nr.	Description	Qty.	RC50	RW50	MRW50F	MRW50M
1	Base	1	Not available, order new cylinder			
2	Gasket	1	▲	▲	▲	▲
3	Wiper	1	▲	▲	▲	▲
4	GT Ring	1	▲	▲	▲	▲
5	Bolt	1	▲	▲	▲	▲
6	Stop Ring	1	CR34044	CR34044	CR34044	CR34044
7	Plunger	1	Not available, order new cylinder			
8	Spring Assy.	1	DA4024950SR	DA4024950SR	DA4024950SR	DA4024950SR
9	Dust Cap ( not shown)	1	▲			
10	Coupler	1	CR400			
11	O Ring Coupler ( not shown)	1	▲			
12	Warning Decal ( not shown)	1	▲	▲	▲	▲
13	Enerpac Decal ( not shown)	1	▲	▲	▲	▲
	Repair kit		RW5K50	RW5K50	RW5K50	RW5K50

▲ = Indicates items included in and available only as part of Repair Kit RW5K50  
 For Viton models use RC50KV for "O" date codes and RC50KVS1 for "A" date codes



Item nr.	Torque / Remark
5	4.5 - 5.1Nm 40-45 in lbs
8	4.5 - 5.1Nm 40-45 in lbs
10	68 - 81Nm 50 - 60ft lbs
10	Use Loctite 545 or Teflon tape



To maintain your warranty,  
 have your products inspected and repaired  
 by an authorised Enerpac Service Centre

[www.enerpac.com](http://www.enerpac.com)