



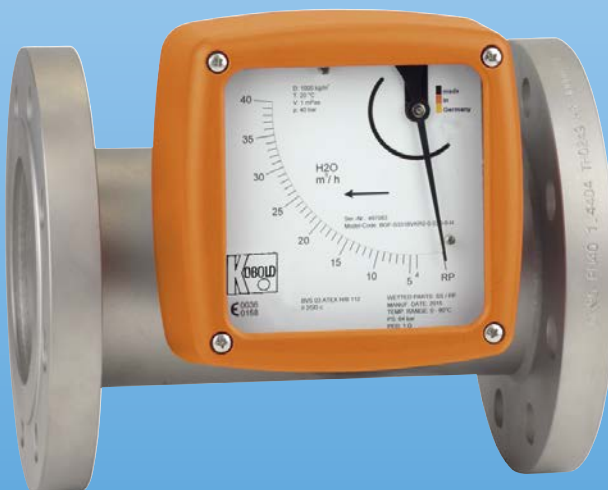
Full Metal Variable Area Flow Meter and Counter

for horizontal and vertical mounting



measuring
•
monitoring
•
analysing

BGF



Special versions up to 600 bar

- Measuring range:
10 - 100 ... 6000 - 60000 l/h water
0.3 - 3.0 ... 170 - 1700 m³/h air
(20 °C, 1.013 bar)
- Accuracy: ±2% of full scale
- p_{max} : PN 40 (option: PN 400);
 t_{max} : -40 ... +200 °C
- Connection: Flange
DN 15 ... DN 80, ANSI ½" ... 3"
- Material: stainless steel
1.4404/1.4571, PTFE
- Options:
Contacts, analogue output
with HART®, Profibus®-PA,
Foundation™ Fieldbus®,
counter

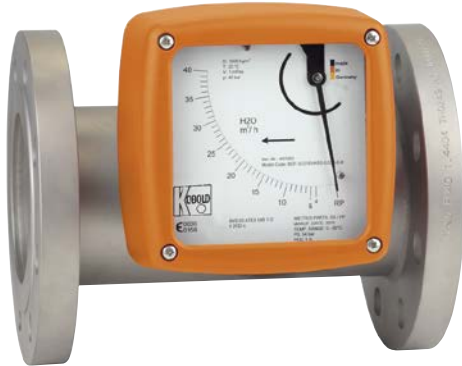
S2



KOBOLD companies worldwide:

ARGENTINA, AUSTRALIA, AUSTRIA, BELGIUM, BULGARIA, CANADA, CHILE, CHINA, COLOMBIA, CZECHIA, EGYPT, FRANCE, GERMANY, GREAT BRITAIN, HUNGARY, INDIA, INDONESIA, ITALY, MALAYSIA, MEXICO, NETHERLANDS, PERU, POLAND, REPUBLIC OF KOREA, ROMANIA, SINGAPORE, SPAIN, SWITZERLAND, TAIWAN, THAILAND, TUNISIA, TURKEY, USA, VIETNAM

KOBOLD Messring GmbH
Nordring 22-24
D-65719 Hofheim/Ts.
Head Office:
+49(0)6192 299-0
+49(0)6192 23398
info.de@kobold.com
www.kobold.com



Description

Inside the flow tube, there is a star guided float which works towards a spring. An annular gap is produced between the cone-shaped magnet system and the meter ring in case of flows other than zero. The position of the magnet system depends on the resulting force of all forces acting upon it. These forces comprise the flow force, a spring force acting opposite to the flow force, and the buoyancy and weight force significant for the measurements in case of vertical installation. Each position of the magnet holder corresponds to a flow value measured during calibration, which is transferred to a scale. The BGF flow meter consists of a meter tube with connections, a meter ring, and a conical magnet holder. By means of a magnet, the position of the magnet system is transferred to an encapsulated follow magnet, which has been fitted to a pointer axle. The position of a second annular follow magnet fitted on the pointer axle is transferred to the scale by means of the pointer.

Application

The BGF meter is suitable for flow measurement of liquid or gaseous products in pipes. The special advantage is that it can be used for all directions of flow. It shows the current flow rate in volume or mass per unit in time.

Areas of Application

Flow measurement, monitoring, adjusting and control of liquid and gaseous products. The meter's design makes it ideal for processes under difficult and adverse operating conditions. The devices are available with additional electrical equipment for process monitoring and control.

- A large spectrum of wetted materials
- Magneto-resistive signal transmission
- Special design for high-pressure and high-temperature applications
- Excellent heat tracing technology (as option)
- Double eddy current damping (as option)

Technical Details

Sensor

Materials:	1.4404 (316 L)/1.4571 (316 Ti), Hastelloy C-22, PTFE other materials on request
Process connection:	Flanges acc. to EN 1092-1 ASME B16.5, DIN 2512, JIS, NPT, screw pipe, connection, special connections on request
Nominal pressure:	PN 40, ASME CI150 / 300 (standard) (BGF-S) PN 16, ASME CI150 (standard) (BGF-P) higher pressure rates on request (max. 400 bar)
Process temperature:	-40°C...+150°C (BGF-S with electrical output) -40°C...+200°C (BGF-S without electrical output) -40°C...+200°C (BGF-S with option V / H / W) -40°C...+125°C (BGF-P)
Ambient temperature:	-40°C...+80°C
Accuracy	
Liquid/Gas:	± 2% of full scale
Additional inaccuracy by transmitter (ES):	± 0.2%
Repeatability:	± 0.8% of full scale
Schutzart:	IP65 (Aluminium housing) IP67 (Stainless steel housing)

Certificate and accreditation

Explosion protection: BVS 03 ATEX H/B 112

Advertisement

Material:	Aluminium (stove-enameled) Stainless steel (optional)
Electr. outputs:	inductive switch (standard) inductive switch (safety design) microswitch others on request
Ambient temperature:	-40°C...+80°C (without switch) -40°C...+65°C (with switch)




Technical Details (continued)

Transmitter

- ES with HART®-protocol
- ES with HART®-protocol and 2 NAMUR-switches
- ES with HART®-protocol and 1 NAMUR-switch / 1 pulse output
- ES with Profibus-PA®
- ES with HART®-protocol and counter module

Power supply: 14 - 30 V_{DC}
Outputs: passive, galvanically isolated
Currency: 4-20 mA
Binary 1 and 2: U_i = 30 V, I_i = 20 mA, P_i = 100 mW
Input Binary: Counter reset (only for ES with counter module)
Ambient temperature: -40 °C ... +70 °C

Certification and accreditation

Explosion protection: DMT 00 ATEX E 075
Type of protection:  II 2G EEx ia IIC T6

Additional options

- Other materials
- Other flange versions and sizes
- Certifications and certificates
- Display with pressure compensations against condensate build up
- Microswitch
- Inductive switches in safety design



Full Metal Variable Area Flow Meter and Counter Model BGF

Order Details (example: BGF-S 15305B H K 0 0 0 S 1 0 0 K)

Model	Measuring range water [l/h]	Measuring range air at 20 °C, 1013 mbar [Nm ³ /h]	Connection size	Pressure stage	Max. pressure loss [mbar]	Code ²⁾ flange DIN EN 1092-1 Form B1	Code ²⁾ flange ASME Class 150 RF
BGF-S = stainless steel tube	10 - 100	0.3 - 3.0	DN 15, (3/4")	PN 40/150 lbs	on request	15 305B H	15 202R H
	16 - 160	0.5 - 4.6	DN 15, (3/4")	PN 40/150 lbs	110	15 305B I	15 202R I
	25 - 250	0.7 - 7.0	DN 15, (3/4")	PN 40/150 lbs	110	15 305B J	15 202R J
	40 - 400	1.0 - 11	DN 15, (3/4")	PN 40/150 lbs	110	15 305B K	15 202R K
	60 - 600	1.7 - 17	DN 15, (3/4")	PN 40/150 lbs	120	15 305B L	15 202R L
	100 - 1000	3.0 - 30	DN 15, (3/4")	PN 40/150 lbs	90	15 305B M	15 202R M
	160 - 1600	4.0 - 46	DN 15, (3/4")	PN 40/150 lbs	105	15 305B N	15 202R N
	250 - 2500	7.0 - 70	DN 15, (3/4")	PN 40/150 lbs	130	15 305B P	15 202R P
	400 - 4000 ¹⁾	11 - 110 ¹⁾	DN 15, (3/4")	PN 40/150 lbs	240	15 305B Q	15 202R Q
	10 - 100	0.3 - 3.0	DN 25, 1"	PN 40/150 lbs	on request	25 309B H	25 203R H
	16 - 160	0.5 - 4.6	DN 25, 1"	PN 40/150 lbs	110	25 309B I	25 203R I
	25 - 250	0.7 - 7.0	DN 25, 1"	PN 40/150 lbs	110	25 309B J	25 203R J
	40 - 400	1.0 - 11	DN 25, 1"	PN 40/150 lbs	110	25 309B K	25 203R K
	60 - 600	1.7 - 17	DN 25, 1"	PN 40/150 lbs	120	25 309B L	25 203R L
	100 - 1000	3.0 - 30	DN 25, 1"	PN 40/150 lbs	90	25 309B M	25 203R M
	160 - 1600	4.0 - 46	DN 25, 1"	PN 40/150 lbs	105	25 309B N	25 203R N
BGF-P = stainless steel tube, PTFE-liner	250 - 2500	7.0 - 70	DN 25, 1"	PN 40/150 lbs	130	25 309B P	25 203R P
	400 - 4000 ¹⁾	11 - 110 ¹⁾	DN 25, 1"	PN 40/150 lbs	240	25 309B Q	25 203R Q
	250 - 2500	7.0 - 70	DN 40, 1 1/2"	PN 40/150 lbs	75	40 317B P	40 205R P
	400 - 4000	11 - 110	DN 40, 1 1/2"	PN 40/150 lbs	110	40 317B Q	40 205R Q
	600 - 6000	17 - 170	DN 40, 1 1/2"	PN 40/150 lbs	130	40 317B R	40 205R R
	400 - 4000	11 - 110	DN 50, 2"	PN 40/150 lbs	100	50 321B Q	50 206R Q
	600 - 6000	17 - 170	DN 50, 2"	PN 40/150 lbs	110	50 321B R	50 206R R
	1000 - 10000	29 - 290	DN 50, 2"	PN 40/150 lbs	120	50 321B S	50 206R S
	1600 - 16000	46 - 460	DN 50, 2"	PN 40/150 lbs	130	50 321B T	50 206R T
	2500 - 25000	70 - 700	DN 50, 2"	PN 40/150 lbs	200	50 321B U	50 206R U
	1600 - 16000	46 - 460	DN 80, 3"	PN 40/150 lbs	110	80 331B T	80 208R T
	2500 - 25000	70 - 700	DN 80, 3"	PN 40/150 lbs	130	80 331B U	80 208R U
	4000 - 40000	110 - 1100	DN 80, 3"	PN 40/150 lbs	200	80 331B V	80 208R V
	6000 - 60000	170 - 1700	DN 80, 3"	PN 40/150 lbs		80 331B W	80 208R W

Reference conditions: water at 20 °C, 1 mPas

¹⁾ Not for model BGF-P (PTFE-casing)

²⁾ Other flange connections: Form C, N, D, JIS or Class 300 on request



Continuation Order Details for Liquids (example: BGF-S 15305B H K 0 0 0 S 1 0 0K)

Magnet bearer	Flow direction	Heating ¹⁾ / Cooling	Certificates	Display	Scale	Electrical output	Accessories
<p>K = PP¹⁾ (to 80 °C, from DN 50)</p> <p>P = PTFE (BGF-S to 150 °C) (BGF-P to 125 °C)</p> <p>S = st. steel¹⁾</p>	<p>0 = top to bottom</p> <p>L = left to right</p> <p>R = right to left</p> <p>U = bottom to top</p>	<p>0 = without</p> <p>1 = with heating ermeto 12 mm</p> <p>2 = with heating DIN-flange DN 15/PN40</p> <p>3 = with heating ANSI-flange ½" Class 150</p>	<p>0 = without certificate</p> <p>1 = certificate of compliance with the order 2.1</p> <p>2 = certificate of compliance with the order 2.2</p> <p>B = inspection certificate with material certificate 3.1</p> <p>C = inspection certificate with material certificate 3.2</p>	<p>S = aluminium</p> <p>V = aluminium, assembled at 200 °C</p> <p>E = st. steel</p> <p>H = st. steel, assembled at distance up to 200 °C</p> <p>T = aluminium with pressure compensation</p> <p>W = aluminium with pressure compensation, assembled at distance up to 200 °C</p>	<p>Water</p> <p>1 = %-scale</p> <p>2 = measuring range</p> <p>Media</p> <p>4 = %-scale</p> <p>5 = measuring range</p> <p>Please specify mediadata in plain text (see below)</p>	<p>0 = without</p> <p>1 = 1 inductive switch</p> <p>2 = 2 inductive switches</p> <p>C = 1 × microswitch</p> <p>D = 2 × microswitches</p> <p>6 = transmitter ES with HART®, EExia, 4-20 mA, SIL</p> <p>7 = transmitter ES with HART®, EExia, 4-20 mA and 2 Namur-switches, SIL</p> <p>8 = transmitter ES with HART®, EExia, 4-20 mA, 1 Namur switch and 1 pulse output</p> <p>9 = electrical transmitter ES with Profibus®-PA, EExia</p> <p>I = 4-20 mA with HART® counter module</p> <p>K = electrical transmitters ES with Foundation™ Fieldbus®</p>	<p>OK = without</p> <p>XK = special (separate specification)</p>

¹⁾ Not for model BGF-P (PTFE-coating)

For the right design of the flowmeter we need the following data: measuring range with unit, measured media, process temperature and pressure, viscosity, operating density (liquids), norm density (gases), mechanical connection.

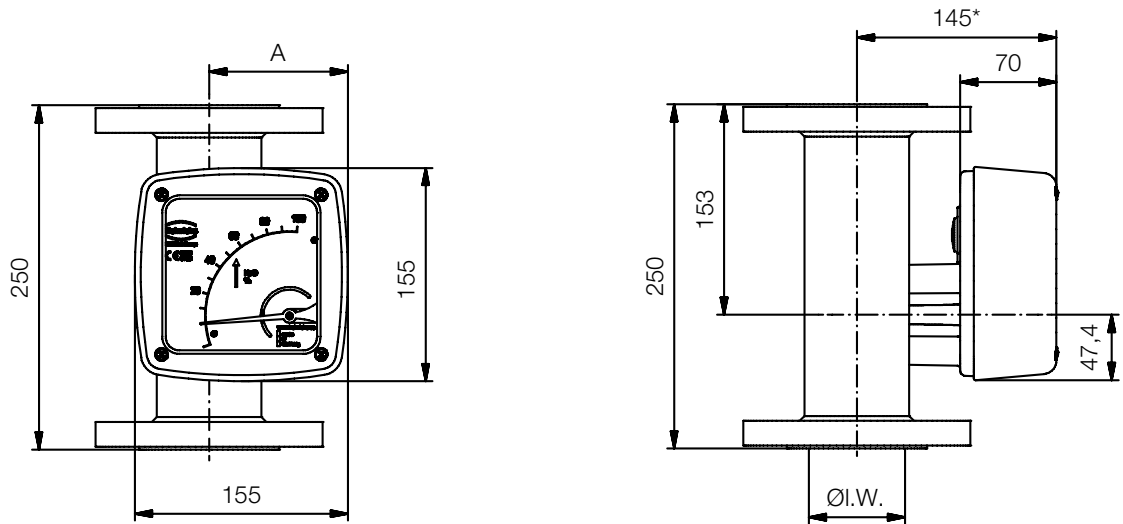
Dimensions [mm]

DN	PN	I. W.	A (aluminium)	A (stainless steel)
15	40	26	74	100
25	40	32	77	103
40	40	46	85	110
50	40	70	98	123
80	40	102	114	140

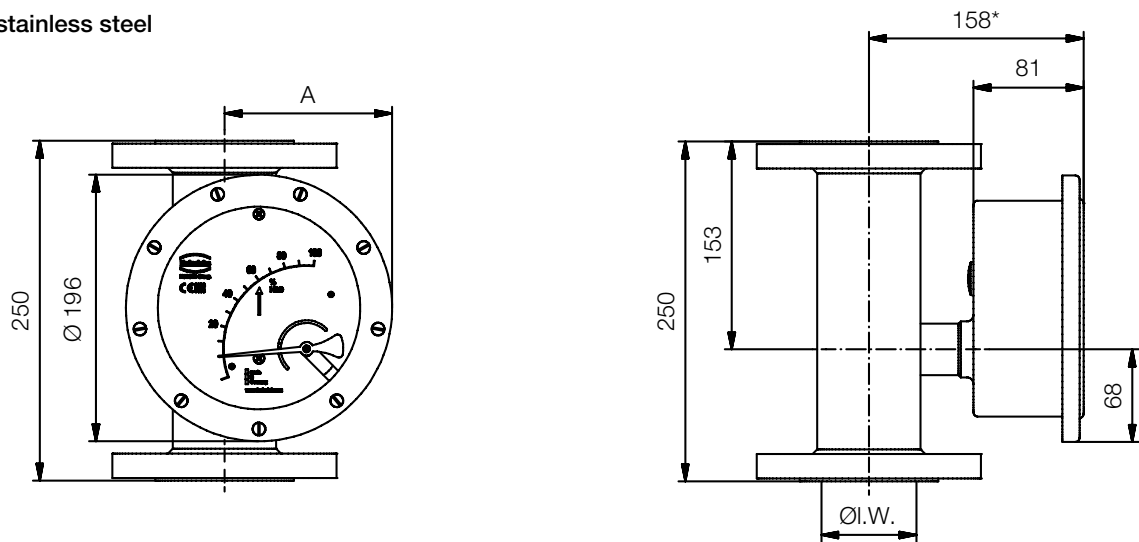
Dimensional deviations:
+100 mm with forward advanced display

Dimensions [mm]

Display: aluminium



Display: stainless steel



* +100 mm with forward advanced display