

Linear Luminaire for Fluorescent Lamps

Series ECOLUX METAL 6010/1



www.stahl.de



15709E00

- > For use in Zones 1, 2, 21, 22 and safe area
- > 2-lamp version:
 - 18 W
 - 36 W
- > Housing made of sheet steel or stainless steel SS304 / SS316L
- > Quick fasteners

E2



The light fittings of Series ECOLUX METALL 6010 can be used in Zone 1, 2 and 21, 22 for normal lighting, but also as group-supplied or centrally supplied emergency light fitting. The version with stainless steel SS316L metal enclosure is particularly suitable for marine applications.

Zone	ATEX / IECEx					
	0	1	2	20	21	22
For use in		x	x		x	x

Explosion Protection	
Global (IECEx)	
Gas and dust	IECEx BVS 14.0084X Ex db eb IIC T4 Gb Ex tb IIIC T80°C Db
Europe (ATEX)	
Gas and dust	BVS 14 ATEX E 129 X ⊕ II 2 G Ex db eb IIC T4 Gb ⊕ II 2 D Ex tb IIIC T80°C Db
Certifications and certificates	
Certificates	IECEx, ATEX

WebCode 6010A

Linear Luminaire for Fluorescent Lamps

Series ECOLUX METAL 6010/1

Selection Table

Version	Lamps	Cable glands	Through wiring	Enclosure	Order number	Art. no.	Weight kg
ECOLUX METAL 6010	2 x 18 W	Plastic M25	without	Sheet Steel	6010/1152-2807-0010	229861	5.910
				Stainless Steel SS316L	6010/1152-2807-0014	229862	6.010
		Plastic M20	without	Sheet Steel	6010/1152-2808-0010	229827	5.910
				Stainless Steel SS316L	6010/1152-2808-0014	229828	6.010
	2 x 36 W	Plastic M25	without	Sheet Steel	6010/1154-2807-0010	229863	8.500
				Stainless Steel SS316L	6010/1154-2807-0014	229864	8.600
		Plastic M20	without	Sheet Steel	6010/1154-2808-0010	229829	8.900
				Stainless Steel SS316L	6010/1154-2808-0014	229830	8.600

Note The light fittings are supplied without tubes. These must be ordered separately.

Technical Data

Electrical data

Control gear

	6010/1...-....-0..	6010/1...-....-1..
Lamp start	Cold start	Cold start
Voltage	220 to 240 V AC	220 to 240 V AC
DC voltage in case of ignition	198 to 264 V DC	198 to 264 V DC
DC voltage during operation	176 to 264 V DC	176 to 264 V DC
Frequency	0 / 50 to 60 Hz	0 / 50 to 60 Hz
Lamp operation DC	1-lamp	2-lamp
Lamp standard	IEC 60081	IEC 60081
Lamp wattage	18, 36 W	18, 36 W
Nominal current	2 x 18 W, 170 mA 2 x 36 W, 320 mA	2 x 18 W, 170 mA 2 x 36 W, 320 mA
	6010/1...-....-2..	6010/1...-....-3..
Lamp start	Cold start	Cold start
Voltage	110 to 240 V AC	110 to 240 V AC
DC voltage in case of ignition	104 to 264 V DC	104 to 264 V DC
DC voltage during operation	104 to 264 V DC	104 to 264 V DC
Frequency	0 / 50 to 60 Hz	0 / 50 to 60 Hz
Lamp operation DC	1-lamp	2-lamp
Lamp standard	IEC 60081	IEC 60081
Lamp wattage	18, 36 W	18, 36 W
Nominal current	2 x 18 W, 170 to 345 mA 2 x 36 W, 310 to 660 mA	2 x 18 W, 170 to 345 mA 2 x 36 W, 310 to 660 mA

Power factor $\cos \varphi$ ≥ 0.97

Ambient conditions

Operating temperature range -20 to +60 °C

Linear Luminaire for Fluorescent Lamps

Series ECOLUX METAL 6010/1



Technical Data

Mechanical data

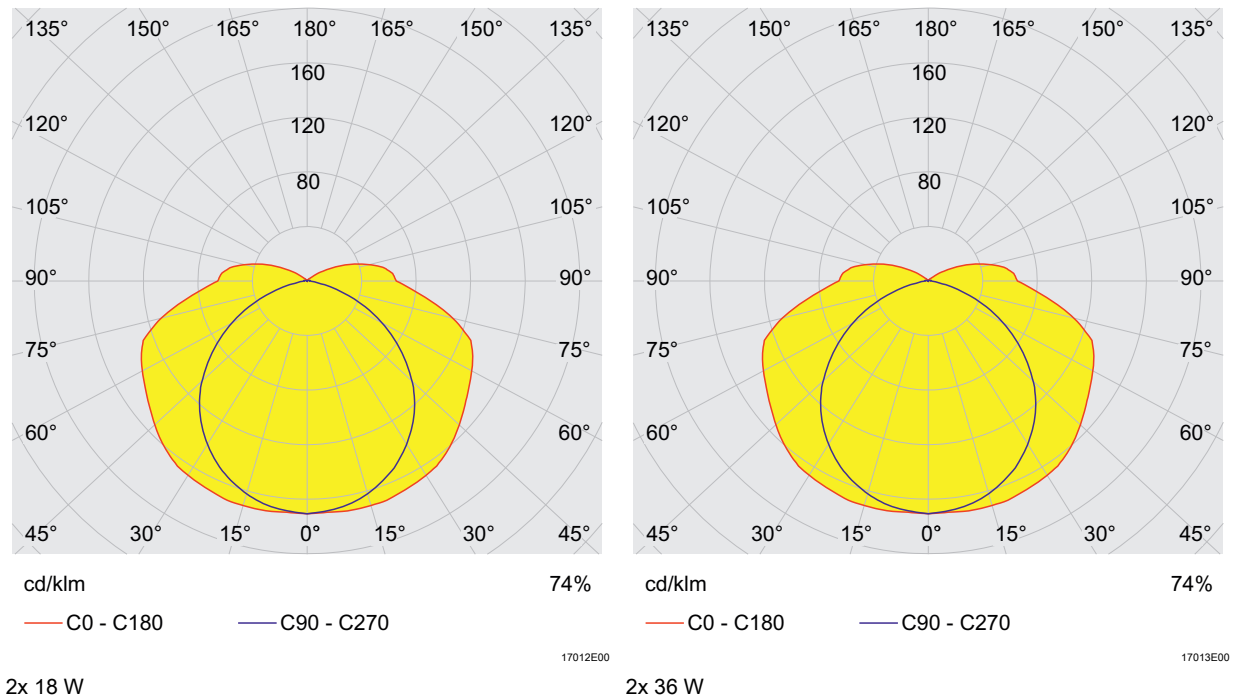
Degree of protection	IP66 for ceiling mounting IP65 for wall mounting IP64 when using breather 8162 IP67 (IEC 60598)
Protection class	I (with internal PE connection)
Material	
Enclosure	Sheet steel powder coated Stainless steel SS304 (V2A 1.4301) powder coated, optional brushed Stainless steel SS316L (V4A 1.4404) powder coated, optional brushed
Lamp cover	Polycarbonate
Seal	Silicone, foamed in translucent cover
Luminaire locking	Quick locking device stainless steel
Colour	White, similar RAL 9010

Mounting / Installation

Cable glands	2x M20/M25 left and right, 1x cable gland and 3x stopping plugs included as standard
Connection	Spring clamp terminal up to 4 mm ² 3-pole (2 x L1, 2 x N, 2 x PE) 5-pole (2 x L1, 2 x L2, 2 x L3, 2 x N, 2 x PE) Screw terminal up to 6 mm ² 3-pole (2 x L1, 2 x N, 2 x PE) 5-pole (2 x L1, 2 x L2, 2 x L3, 2 x N, 2 x PE)
Through wiring	optional
Assembly	Suitable for wall and ceiling mounting. Mounting holes for screws M8 and elongated holes for screws M6 are available. Observe the assembly drawing.

E2





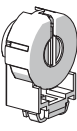

Light Distribution Curves



Linear Luminaire for Fluorescent Lamps

Series ECOLUX METAL 6010/1

Accessories and Spare Parts

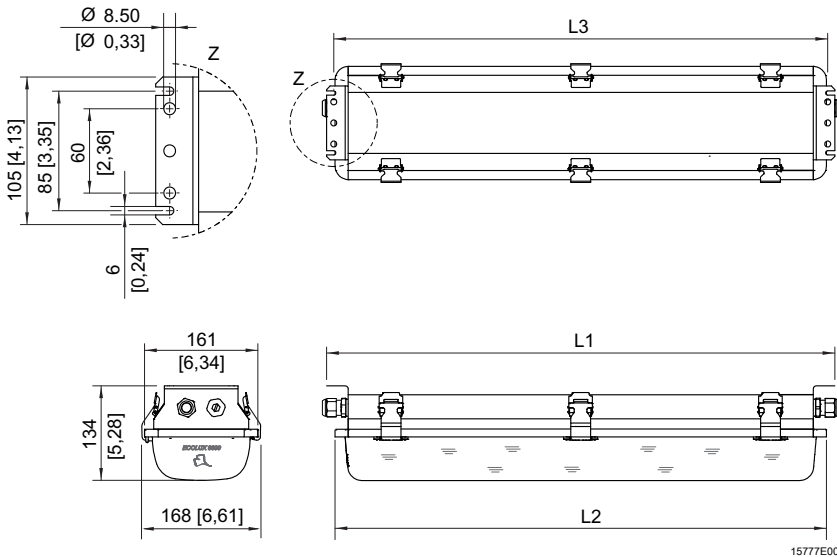
Designation	Figure	Description	Art. no.	Weight kg	
Diffuser cover		for light fitting 18 W	124890	0.500	
		for light fitting 36 W	124897	0.860	
Cable gland		of moulded material, Series 8161			
		8161/7-M20-1304 4 to 13 mm ²	1 piece	229917	0.013
		8161/7-M20-1304 4 to 13 mm ²	50 pieces (delivery lot ^{*)})	239156	0.013
		8161/7-M25-1707 7 to 17 mm ²	1 piece	229918	0.019
Stopping plug		of moulded material, Series 8290			
		8290/3-M20	1 piece	143522	0.005
		8290/3-M20	100 pieces	143543	0.500
		8290/3-M25 x 1.5	1 pieces	143524	0.007
Breathing gland		for installation in lights; in moulded material; without counter nut			
		Thread: M25 x 1.5	1 pc	138573	0.010
		Thread: M25 x 1.5	20 pcs	138576	0.200
Lamp-holder		Lamp holder G13	1 piece	117252	0.036
Fluorescent lamp		Two-pin cap Ø 26 mm Light colour: universal white Pins made of brass			
		18 W 1350 lm		108952	0.100
		36 W 3350 lm		108951	0.200

Linear Luminaire for Fluorescent Lamps

Series ECOLUX METAL 6010/1



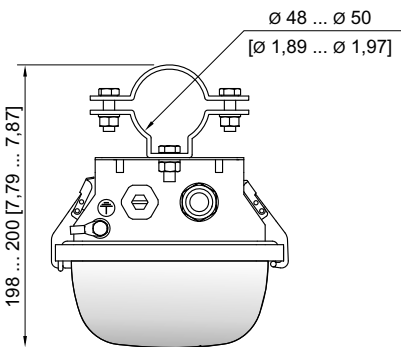
Dimensional drawings (all dimensions in mm [inches]) ⌀ Subject to modification



Dimensions	Luminaire	
	18 W	36 W
L1	723 [28.46]	1333 [52.48]
L2	698 [27.48]	1308 [51.50]
L3	703 [27.68]	1313 [51.69]

E2

Luminaire ECOLUX METAL Series 6010



Mounting using pipe clamps

We reserve the right to make alterations to the technical data, dimensions, weights, designs and products available without notice. The illustrations cannot be considered binding.