

# Duct / Immersion Temperature Sensors Type A2G-60

WIKA Datasheet A2G-60

## Applications

- For temperature measurement of gaseous media in HVAC systems
- Designed to be used with PLC's and other control and display panels
- Suitable for liquid media if installed inside a thermowell

## Special Features

- Easy installation
- Six selectable temperature ranges
- Compact and robust design
- Directly mounted into the process (gaseous media only)
- Comes standard with mounting flange
- Configurable as a passive RTD or active transmitter

## Description

### Approvals

per EN 60 730-1 (2000)  
CE-conformity: 89/336/EWG  
Electromagnetic compatibility

### Accuracy @ 70 °F

±1% of measuring range

### Scale ranges

+32 °F ... +122 °F factory set temperature  
-58 °F ... +122 °F adjustable via jumpers  
+5 °F ... +95 °F adjustable via jumpers  
+14 °F ... 248°F adjustable via jumpers  
+32 °F ... +320 °F adjustable via jumpers  
+32 °F ... +482 °F adjustable via jumpers



Duct / Immersion Temperature Sensor  
Type A2G-60

### Ambient temperature at the connecting head

-31 ... +158 °F

### Power consumption

Typically 0.35 W / 0.82 VA

### Output

Version "TRV": 0 ... 10V, 3-wire, min. load 5KOhm  
Version "TRA": 4 ... 20 mA, 2-wire  
Without (sensor only)

### Ingress protection

NEMA 3 (IP 65 per EN 60 529 / IEC 529)

### Electrical connection

Clamps, 3-pin (3-wire)

Cable entry: single, M16 for cable with max. D = 0.3"

### Stem dimensions

7.55x 0.272 inches

Other lengths available upon request

### Stem material

Stainless steel 1.4571

### Temperature limitations

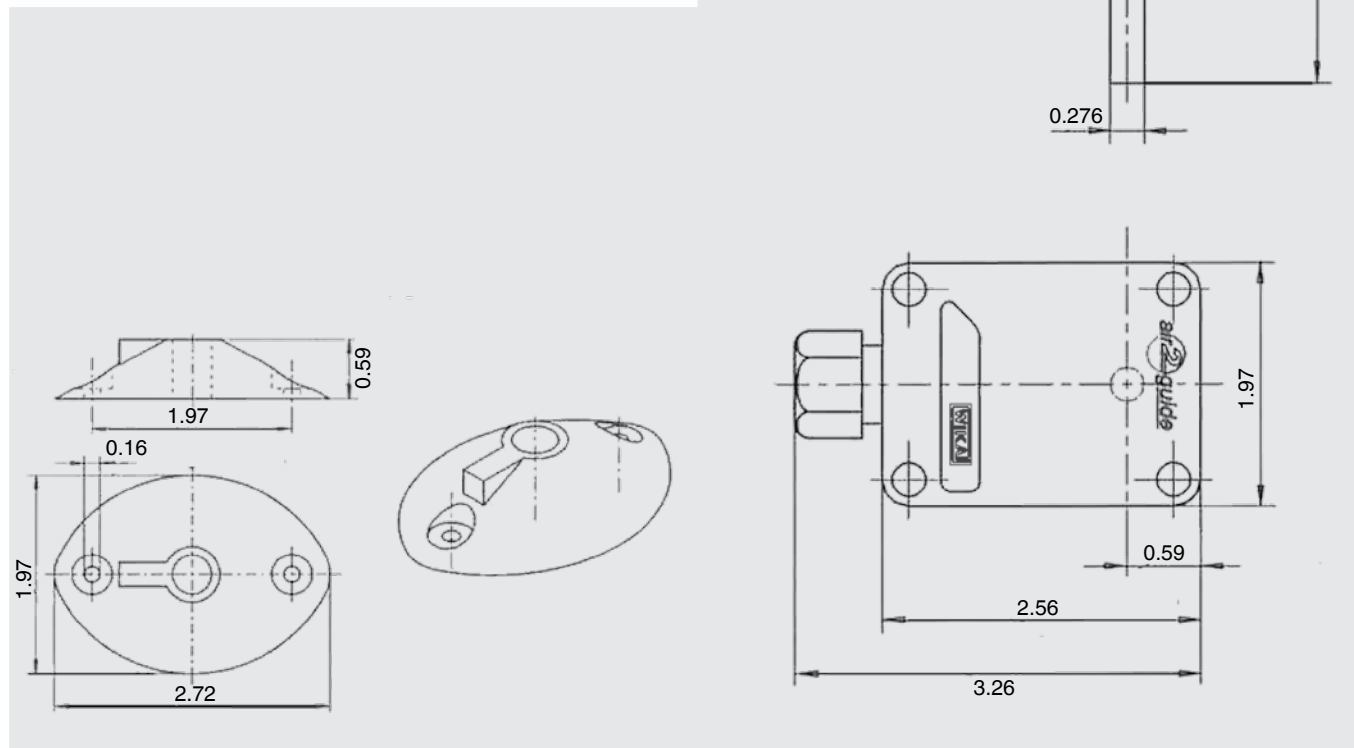
- Head temperature:
  - 31 ... +194 °F passive (Pt1000 and Ni1000)
  - 31 ... +158 °F active (TRV and TRA)

- Stem Temperatures:
  - Standard: -58 °F ... +320 °F
  - High temperature version: -58 °F ... +500 °F

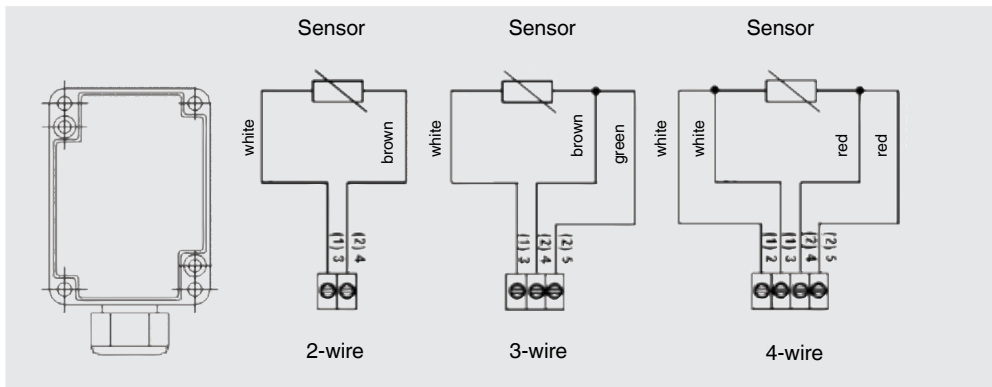
### Mounting flange

- Material PA6.6, black
- Max. temperature +266 °F

### Dimensions in inches



## RTD wiring diagram (selection) sensor Pt1000 / Ni1000



## Transmitter scale range adjustment transmitter TRV

