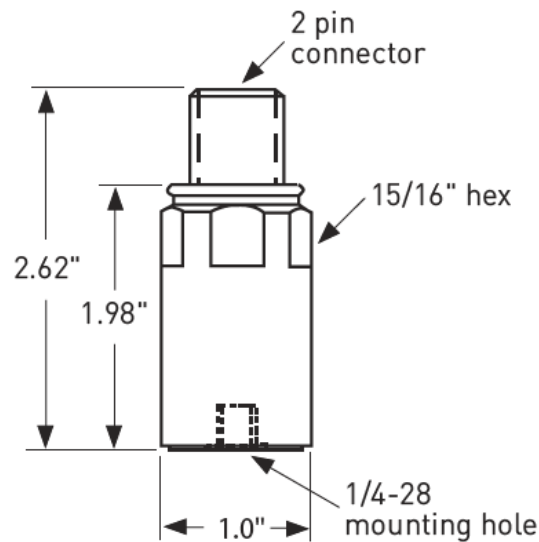


# High temperature accelerometer 793-6



## Key features

- Rugged design
- Corrosion resistant
- Hermetically sealed
- Ground isolated
- ESD protection
- Reverse wiring protection
- 150° C operation



## Certifications



Connections		
Function	Connector pin	Cable conductor
power/signal	A	white
common	B	black
ground	shell	shield

Note: Due to continuous process improvement, specifications are subject to change without notice.  
This document is cleared for public release.

Wilcoxon Sensing Technologies  
20511 Seneca Meadows Parkway  
Germantown, MD 20876  
info@wilcoxon.com

Tel: (301) 330 8811  
Fax: (301) 330 8873  
www.wilcoxon.com

Wilcoxon Sensing Technologies  
An Amphenol Company

# High temperature accelerometer

## 793-6

### SPECIFICATIONS

<b>Sensitivity, <math>\pm 10\%</math>, 25° C</b>		100 mV/g	
<b>Acceleration range</b>		50 g peak	
<b>Amplitude nonlinearity</b>		1%	
<b>Frequency response:</b>	$\pm 5\%$	4 - 5,000 Hz	
	$\pm 10\%$	3 - 7,000 Hz	
	$\pm 3$ dB	1 - 12,000 Hz	
<b>Resonance frequency</b>		25 kHz	
<b>Transverse sensitivity, max</b>		5% of axial	
<b>Temperature response:</b>	-50° C	-5%	
	0° C	+2%	
	+150° C	-5%	
<b>Voltage source</b>		18 - 30 VDC	
<b>Current regulating diode</b>		2 - 4 mA	
<b>Electrical noise, equiv. g:</b>			
<b>Broadband</b>	<b>2.5 Hz to 25 kHz</b>	0.3 mg	
<b>Spectral</b>	<b>10 Hz</b>	<b>at 25° C:</b>	<b>at 150° C:</b>
	<b>100 Hz</b>	10 $\mu\text{g}/\sqrt{\text{Hz}}$	30 $\mu\text{g}/\sqrt{\text{Hz}}$
	<b>1,000 Hz</b>	3 $\mu\text{g}/\sqrt{\text{Hz}}$	10 $\mu\text{g}/\sqrt{\text{Hz}}$
		2 $\mu\text{g}/\sqrt{\text{Hz}}$	6 $\mu\text{g}/\sqrt{\text{Hz}}$
<b>Output impedance, max</b>		100 $\Omega$	
<b>Bias output voltage:</b>	<b>25° C</b>	12 VDC	
	<b>150° C</b>	11 VDC	
<b>Grounding</b>		case isolated, internally shielded	
<b>Temperature range (mounting surface)</b>		-50 to +150° C	
<b>Vibration limit</b>		500 g peak	
<b>Shock limit</b>		2,500 g peak	
<b>Electromagnetic sensitivity, equiv. g</b>		15 $\mu\text{g}/\text{gauss}$	
<b>Sealing</b>		hermetic	
<b>Base strain sensitivity</b>		0.0005 g/ $\mu\text{strain}$	
<b>Sensing element design</b>		PZT, compression	
<b>Weight</b>		135 grams	
<b>Case material</b>		316L stainless steel	
<b>Mounting</b>		1/4-28 tapped hole	
<b>Output connector</b>		2 pin, MIL-C-5015 style	
<b>Mating connector</b>		R6 type	
<b>Recommended cabling</b>		J9T2A	

### Contact

Wilcoxon Sensing  
Technologies

20511 Seneca Meadows Parkway  
Germantown MD 20876, USA

Tel: +1 301 330 8811  
Fax: +1 301 330 8873

info@wilcoxon.com

www.wilcoxon.com

### Accessories supplied:

- Calibration data (level 3)
- SF6 mounting stud (international customers specify mounting requirements)

Note: Due to continuous process improvement, specifications are subject to change without notice.  
This document is cleared for public release.

Wilcoxon Sensing Technologies  
20511 Seneca Meadows Parkway  
Germantown, MD 20876  
info@wilcoxon.com

Tel: (301) 330 8811  
Fax: (301) 330 8873  
www.wilcoxon.com

Wilcoxon Sensing Technologies  
An Amphenol Company