

Terminal Box with WAGO 773 Push-Wire Connectors

Series 8118



www.stahl.de



05813E00

- > Compact enclosure made of impact resistant glass fibre reinforced polyester resin
- > WAGO Push-Wire Connectors with time and cost effective push-wire terminal connection
- > Vibration-proof, maintenance free clamping connections
- > For solid / stranded conductors with a cross-section of 0.75 ... 2.5 mm² or 2.5 ... 6 mm²
- > Various cross-sections are possible in one push-wire connector
- > With 2-, 3-, 4-, 6- and 8-wire connectors, max. 16 clamping points
- > Degree of protection IP66

E3








The new, compact terminal boxes Series 8118 with WAGO 773 Push-Wire Connectors allow a simple, time effective and safe wiring thanks to the PUSH WIRE® terminal connection. With these push-wire terminal connection, the stripped conductor is simply pushed into the clamping point and automatically safely clamped - a system used for many years as standard in electrical installation. The terminals are snapped on the mounting rail with the corresponding fixing carrier so that an optimal fixed position is achieved. Various standard and customized versions for connection cross-sections from 0.75 ... 2.5 mm² or 2.5 ... 6 mm² are available.

	ATEX / IECEx					
Zone	0	1	2	20	21	22
For use in		x	x		x	x

WebCode 8118D

Terminal Box with WAGO 773 Push-Wire Connectors Series 8118

Selection Table

Version	Terminals	Holes	Cable glands	Stopping plug	Art. no.	Weight kg
Ex e terminal box with WAGO 773 Push-Wire Connector						
Size 1 on/off circuit  14470E00	0.75 ... 2.5 mm ² : 4 x 773-494	3 x M20 x 1.5	3 x 8161/5-M20-13	--	133216	0.300
Size 1 acc. to specification	acc. to order	acc. to order	acc. to order	acc. to order	209894	
Size 2 two-way circuit  14471E00	0.75 - 2.5 mm ² : 2 x 773-492 1 x 773-494 3 x 773-496	6 x M25 x 1.5	4 x 8161/5-M25-17 2 x 8161/5-M25-17 with plug	--	133211	0.580
Size 2 cross circuit  14472E00	0.75 - 2.5 mm ² : 7 x 773-492 2 x 773-494 1 x 773-496	6 x M25 x 1.5	4 x 8161/5-M25-17 2 x 8161/5-M25-17 with plug	--	210766	0.580
Size 2 *) on/off circuit  14469E00	0.75 ... 2.5 mm ² : 4 x 773-494 PE terminal 0.25 ... 2.5 mm ² : 2 x 2001-1207	4 x M20 x 1.5	--	1 x 8290/3-M20x1.5	133188	0.500
Size 2 acc. to specification	acc. to order	acc. to order	acc. to order	acc. to order	209895	
Size 3 for example for street lighting  14473E00	2.5 ... 6 mm ² : 4 x 773-493	1 x M20 x 1.5, 2 x M32 x 1.5	1 x 8161/5-M20-13 1 x 8161/5-M32-21 1 x 8161/5-M32-21 with plug	--	133214	0.700
Size 3 acc. to specification	acc. to order	acc. to order	acc. to order	acc. to order	210916	
Note	Cable glands, Series 8161, and stopping plugs, Series 8290, are enclosed separately. Please order the metal cables glands separately (see R. STAHL catalogue, chapter E10 "Installation material and accessories"). *) For metal cable glands. Please order the cable glands separately.					

Terminal Box with WAGO 773 Push-Wire Connectors

Series 8118

Explosion Protection

Global (IECEX)

Gas and dust	IECEX PTB 06.0026 Ex e IIC T6 ... T4 Gb Ex tb IIIC T80°C ... T130°C Db
--------------	--

Europe (ATEX)

Gas and dust	PTB 99 ATEX 3103 ⊕ II 2 G Ex e II T6, T5, T4 ⊕ II 2 D IP 66 T80 °C, T95 °C, T130 °C
--------------	---

Certifications and certificates

Certificates	IECEX, ATEX, Brazil (Inmetro), China (China-Ex), India (PESO), Kazakhstan (GOST K), Korea (KCs), Russia (GOST R), Serbia (SRPS), Ukraine (TR), Belarus (operating authorisation)
Ship approval	GL

Technical Data

Ambient conditions

Ambient temperature	T6: -40 ... +40 °C T5: -40 ... +55 °C
---------------------	--



Mechanical data

Degree of protection	IP66 acc. to IEC/EN 60529
Material	
Enclosure	glass fibre reinforced polyester resin, dark grey similar to RAL 7012, impact resistance ≥ 7 J, flame retardant acc. to IEC/EN 60695, UL 94, ASTM D635
Seal	EPDM or silicone, foamed
Cover lock	with captive M4 stainless steel combo head screws

Technical Data

Connection Terminals

Dosenklemmen WAGO 773

773-493	773-492	773-494	773-496	773-498
				
Art. no. 113043	Art. no. 113039	Art. no. 113040	Art. no. 113041	Art. no. 113042

Electrical data

	773-493	773-492	773-494	773-496	773-498
Rated operational voltage	max. 550 V	max. 550 V	max. 550 V	max. 550 V	max. 550 V
Rated operational current	42 A	24 A	24 A	24 A	24 A
Connection cross-section	2.5 ... 6 mm ² solid	0.75 ... 2.5 mm ² solid	0.75 ... 2.5 mm ² solid	0.75 ... 2.5 mm ² solid	0.75 ... 2.5 mm ² solid
Stripping length	15 mm	12 mm	12 mm	12 mm	12 mm
Number of clamping points	3	2	4	6	8
Potentials	1	1	1	1	1
Fixing carrier	773-331				

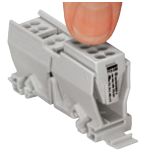


Art. no. 113038

14317E00

Terminal Box with WAGO 773 Push-Wire Connectors Series 8118

Mounting Instructions



14306E00

Insert the WAGO push-wire connector into the fixing carrier



Lock end plate in place



14310E00

Snap on the mounting rail



14311E00

Disconnect from the mounting rail

14312E00

Loosen connected conductor: turn the conductor in the clamping point and pull it out at the same time.

Application Examples

Street lightings, pole lightings in hazardous areas



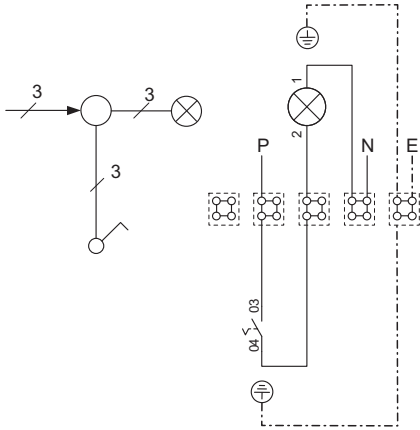
05816e00

Very suitable for looping through the main supply from pole to pole with one outlet each for lighting fixtures, e.g linear fluorescent luminaires Series 6000 or 6600.

Terminal Box with WAGO 773 Push-Wire Connectors Series 8118

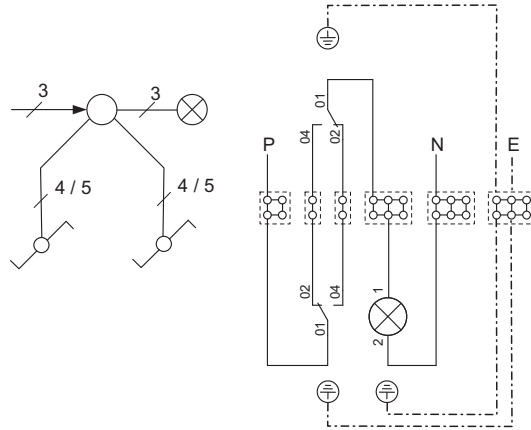


Circuit Examples



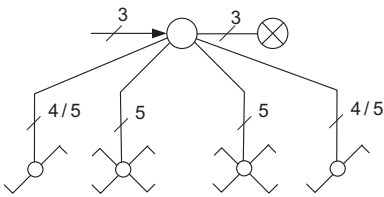
Light circuit:
ON / OFF for 1 switch, e.g. Type 8030/51

14443E00

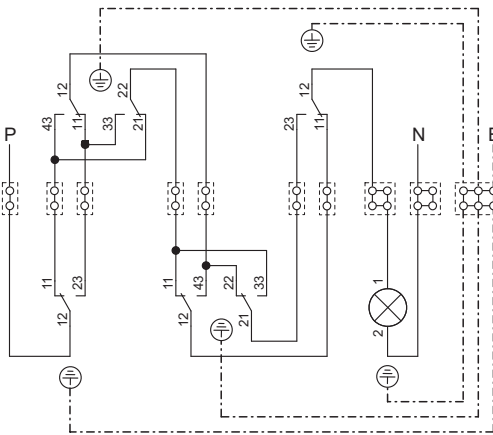


Two-way circuit:
for 2 switches, e.g. Type 8030/51-035

14444E00

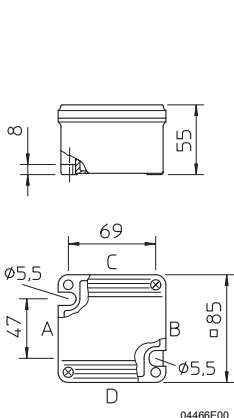


Cross circuit:
for max. 4 switches, Type 8030/51-033 (2 pieces) and 8040/2380Z-31E07GF34 (1 or 2 pieces)



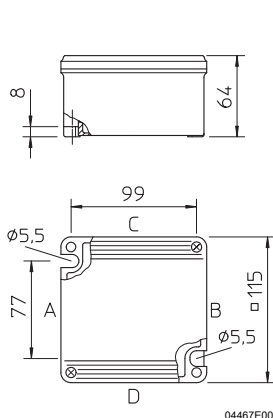
14453E00

Dimensional Drawings (All Dimensions in mm) - Subject to Alterations



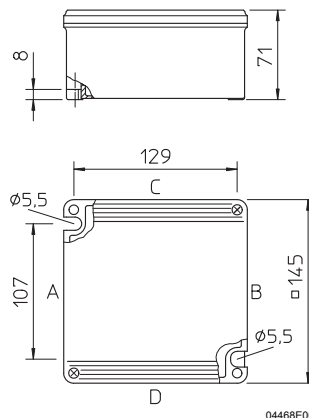
04466E00

8118/112
Size 1



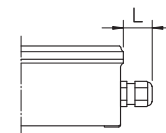
04467E00

8118/122
Size 2



04468E00

8118/132
Size 3



04469E00

Size	Length [mm]	
	min.	max.
M20	25	31
M25	27	33
M32	32	39

Additional dimension for
cable glands, Series 8161

We reserve the right to make alterations to the technical data, dimensions, weights, designs and products available without notice. The illustrations cannot be considered binding.