

Floodlight LED

Series 6525



www.stahl.de



17557E00

- > Floodlight Zones 2, 21 and 22 with highly efficient LEDs
- > 3 different light distribution types for adjusting to the illumination task
- > Standard enclosure made of single-coated stainless steel or with V4A (SS316L) double-coated stainless steel for marine environments
- > Broad operating temperature range from -60 to +60 °C
- > Low-maintenance due to long service life of up to 100,000 operating hours

E2



	ATEX / IECEx					
Zone	0	1	2	20	21	22
For use in			x		x	x

Explosion Protection

Global (IECEx)

Gas and dust | IECEx EPS 15.0032
 Ex nR op is IIC T6 ... T5 Gc
 Ex tb IIIC T80°C ... T95°C Db

Europe (ATEX)

Gas and dust | EPS 15 ATEX 1 991
 Ⓢ II 3 G Ex nR op is IIC T6 ... T5 Gc
 Ⓢ II 2D Ex tb IIIC T80°C ... T95°C Db

	Power	at ambient temperature	Temperature class
6525/11...-23...-...-...	120 W	≤ +60 °C	T5 / T95 °C
6525/11...-44...-...-...	210 W		
6525/1...-23...-...-...	120 W	≤ +50 °C	T6 / T80 °C
6525/1...-44...-...-...	210 W	≤ +45 °C	T6 / T80 °C

Certifications and certificates

Certificates | IECEx, ATEX, India (PESO)

WebCode 6525A

Floodlight LED

Series 6525

Selection Table

Version	Light distribution	Lamp wattage	Cable glands	Material	Order number	Art. no.	Weight		
							kg		
Floodlight LED Series 6525	narrow beam	120 W	3 x M25	Sheet steel	6525/1111-2301-5011-111	264991	16.150		
				Stainless steel V4A	6525/1111-2301-5011-242	265003	16.280		
				3 x M20	Sheet steel	6525/1111-2301-5021-111	264997	16.120	
					Stainless steel V4A	6525/1111-2301-5021-242	265009	16.250	
		210 W	3 x M25	Sheet steel	6525/1111-4401-5011-111	265015	21.910		
				Stainless steel V4A	6525/1111-4401-5011-242	265027	22.007		
				3 x M20	Sheet steel	6525/1111-4401-5021-111	265021	21.880	
					Stainless steel V4A	6525/1111-4401-5021-242	265033	21.970	
		medium beam	120 W	3 x M25	Sheet steel	6525/1112-2301-5011-111	264992	16.150	
					Stainless steel V4A	6525/1112-2301-5011-242	265004	16.280	
					3 x M20	Sheet steel	6525/1112-2301-5021-111	264998	16.120
						Stainless steel V4A	6525/1112-2301-5021-242	265010	16.250
	210 W		3 x M25	Sheet steel	6525/1112-4401-5011-111	265016	21.910		
				Stainless steel V4A	6525/1112-4401-5011-242	265028	22.007		
				3 x M20	Sheet steel	6525/1112-4401-5021-111	265022	21.880	
					Stainless steel V4A	6525/1112-4401-5021-242	265034	21.970	
	wide beam		120 W	3 x M25	Sheet steel	6525/1114-2301-5011-111	265039	16.461	
					Stainless steel V4A	6525/1114-2301-5011-242	265041	16.601	
				3 x M20	Sheet steel	6525/1114-2301-5021-111	265040	16.431	
					Stainless steel V4A	6525/1114-2301-5021-242	265042	16.601	
		210 W	3 x M25	Sheet steel	6525/1114-4401-5011-111	265047	22.381		
				Stainless steel V4A	6525/1114-4401-5011-242	265048	22.481		
			3 x M20	Sheet steel	6525/1114-4401-5021-111	265049	22.351		
				Stainless steel V4A	6525/1114-4401-5021-242	265050	22.451		
Order Number Supplement									
Connection terminal	Clamping range up to 4 mm ²				6525/11...-5.....				
	Clamping range up to 6 mm ²				6525/11...-6.....				

Floodlight LED

Series 6525



Technical Data

Electrical data

Electronic balast	AC: 220 to 240 V \pm 10 %; 50 to 60 Hz				
Rated voltage					
Rated current	Ambient temperature				
	Power	-60 to -40 °C	-40 to +60 °C		
	120 W	0.60 A	0.54 A		
	210 W	1.00 A	0.94 A		
Inrush current	120 W version		210 W version		
	I _{peak} (measured at 50 % I _{peak})		I _{peak} (measured at 50 % I _{peak})		
	62 A; $\Delta t = 330 \mu s$		124 A; $\Delta t = 330 \mu s$		
	max. light fittings per circuit breaker				
		Type B	Type C	Type B	Type C
	10 A	4	8	2	4
	16 A	8	14	4	7
	20 A	11	19	5	9
	25 A	20	23	10	11
Power factor	> 0.95				
THD	$\leq 10 \%$				

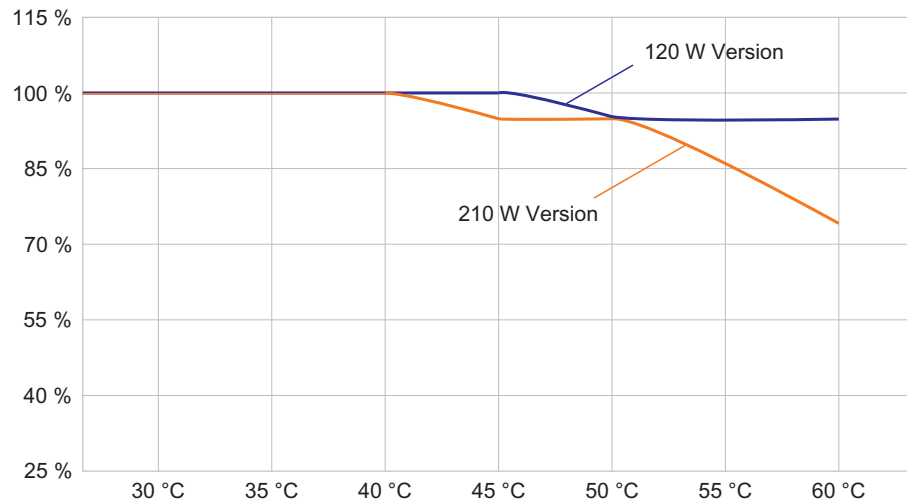
Luminous characteristics

	6525/11..-2...-...-...	6525/11..-4...-...-...
Power consumption [W]	120	210
Colour rendering [Ra]	≥ 70	≥ 70
Colour temperature [K]	5,700	5,700
Wide beam		
Luminous flux [lm]	12,860	21,026
Luminaire efficacy [lm/W]	107	100
Medium beam		
Luminous flux [lm]	12,669	20,966
Luminaire efficacy [lm/W]	94	99
Narrow beam		
Luminous flux [lm]	12,081	19,979
Luminaire efficacy [lm/W]	101	96

Values apply to T_a = +25 °C.

Luminous flux decrease

at ambient temperature



19597E00

Floodlight LED

Series 6525

Technical Data

Ambient conditions

Operating temperature range

-60 to +60 °C *

* Note: Possible to operate the luminaire at -60°C, provided the luminaire is switched on at -40°C. Delay of 10 seconds below -40 °C during cold start

Storage temperature
Service life

-40 to +75 °C

	Ambient temperature T _a				
	≤ +40 °C	+45 °C	+50 °C	+55 °C	+60 °C
L ₇₀ B ₁₀ C ₁₀	100,000 h	80,000 h	80,000 h	60,000 h	50,000 h

L_xB_yC_z

At the end of the service life:

- Luminous flux decreases by "x" percent.
- Up to "y" percent of all luminaires fall below "x"
- Up to "z" percent of all luminaires break down completely

Mechanical data

Degree of protection

IP66

Protection class

I (with internal PE connection)

Impact strength (IK code)

IK10 (IEC 62262)

Material

Enclosure

6525/.....-.....-11

Sheet steel, powder-coated

6525/.....-.....-42

Stainless steel SS316L (1.4404 or V4A),
with double powder coating (offshore coating)

Colour

Colour white, similar to RAL 9010

Seal

Foamed silicone in luminaire cover

Lamp cover

Toughened glass

Bracket

Sheet steel, single powder coating

or

Stainless steel SS316L (1.4404 or V4A), without powder coating

Luminaire locking

Screw

Mounting / Installation

Cable entry

1 x cable glands Series 8161
1 x cable glands Series 8161 with red stopping plug
1 x stopping plugs Series 8290

Connection

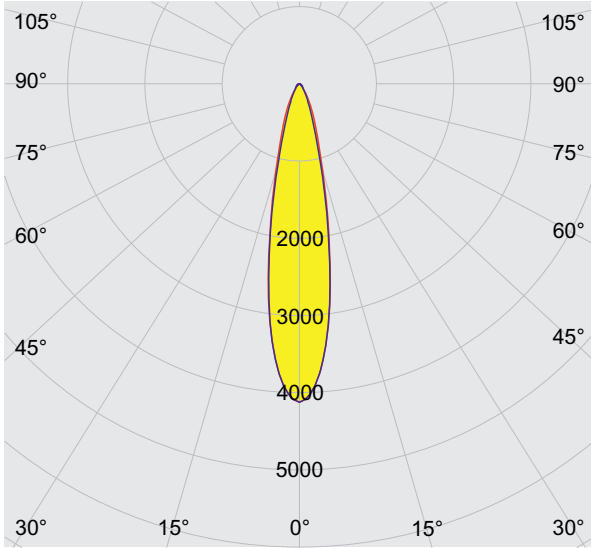
Standard: Spring clamp terminals 0.5 to 4 mm² solid / stranded
Stripping length: 10 to 11 mm

Optional: Spring clamp terminals 0.5 to 6 mm² solid / stranded
Stripping length: 13 to 15 mm

Loop in/loop out wiring

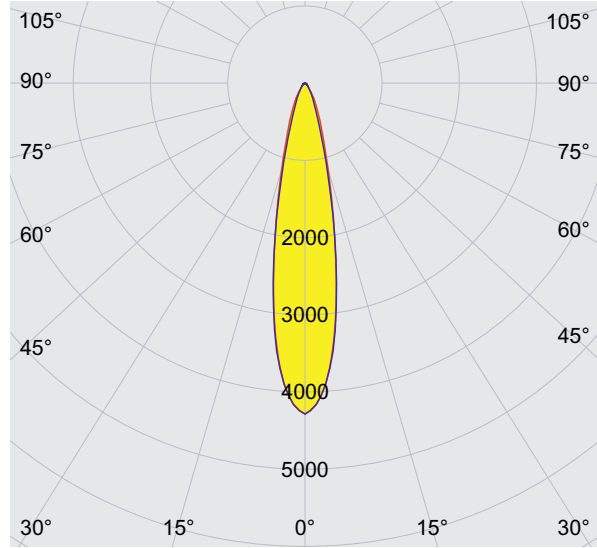
max. 12 A

Light Distribution Curves



cd/klm $\eta = 100\%$
— C0 - C180 — C90 - C270

17978E00

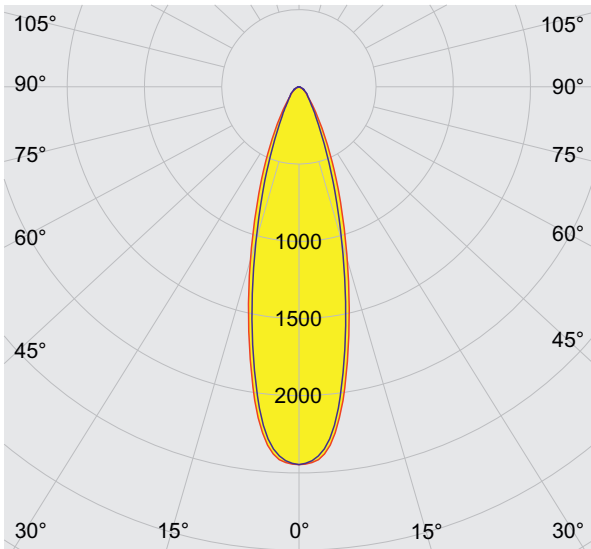


cd/klm $\eta = 100\%$
— C0 - C180 — C90 - C270

17979E00

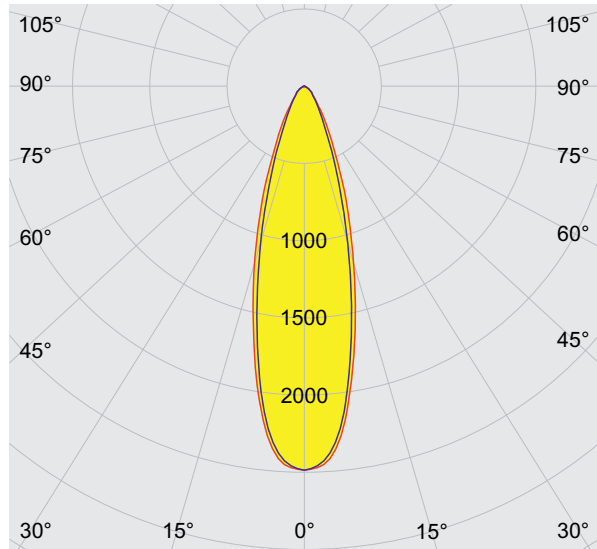
120 W narrow beam

210 W narrow beam



cd/klm $\eta = 100\%$
— C0 - C180 — C90 - C270

17980E00



cd/klm $\eta = 100\%$
— C0 - C180 — C90 - C270

17981E00

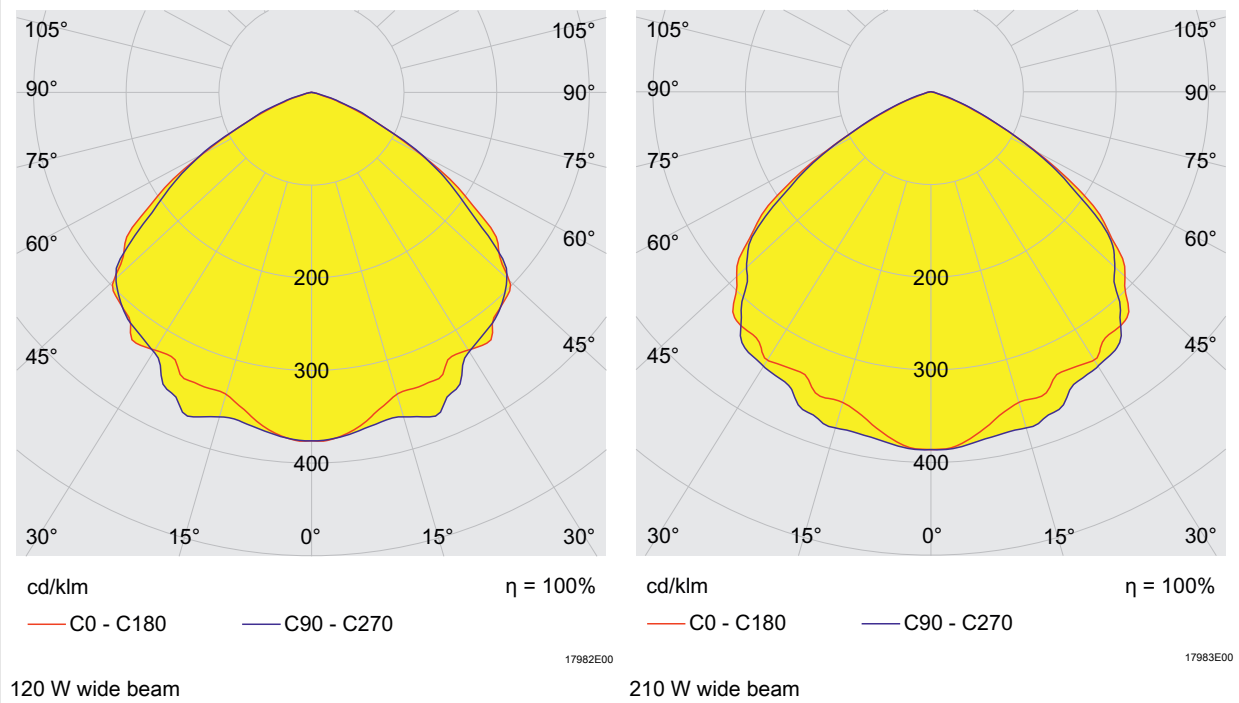
120 W medium beam

210 W medium beam



Floodlight LED

Series 6525

Light Distribution Curves



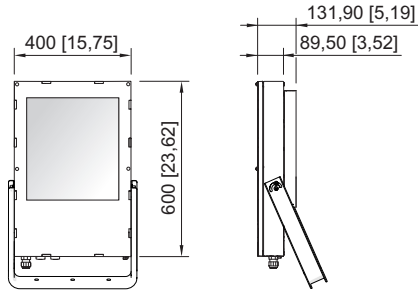
Accessories and Spare Parts

Designation	Figure	Description	Art. no.	Weight kg
Ring bolt	 05378E00	M6, direct mounting in insert nuts, 1 pair	254234	0.202
Mounting bracket	 18198E00	Bracket for mounting of floodlight. For universal mounting type, bracket must be ordered separately. For bracket mounting already included in delivery.		
		Sheet steel, single powder coating	244604	2.591
		Stainless steel SS316L (1.4404 or V4A), without powder coating	221589	2.633

Floodlight LED Series 6525

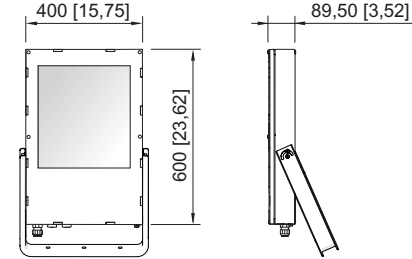


Dimensional Drawings (All Dimensions in mm [inches]) - Subject to Alterations



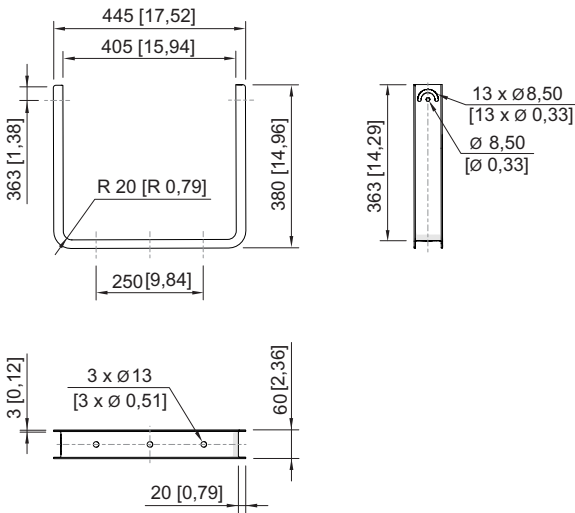
17559E00

Floodlight Series 6525
with cooling element
(Version 210 W)



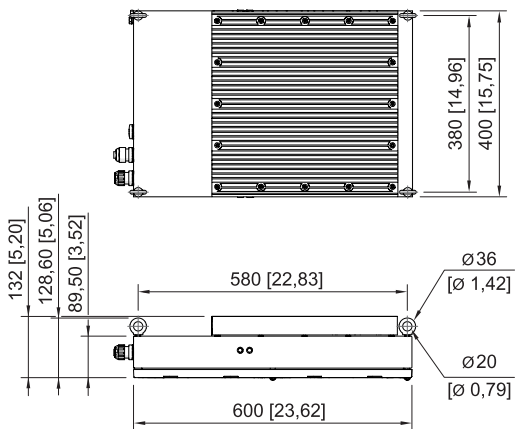
17560E00

Floodlight Series 6525
without cooling element
(Version 120 W)



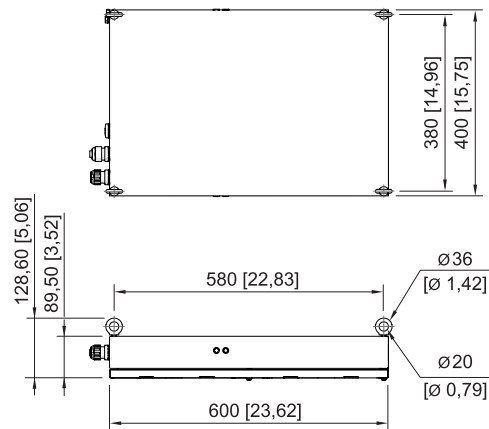
17561E00

Mounting bracket



18258E00

Floodlight Series 6525 with ring bolts
with cooling element
(Version 210 W)



18257E00

Floodlight Series 6525 with ring bolts
without cooling element
(Version 120 W)

We reserve the right to make alterations to the technical data, dimensions, weights, designs and products available without notice. The illustrations cannot be considered binding.